

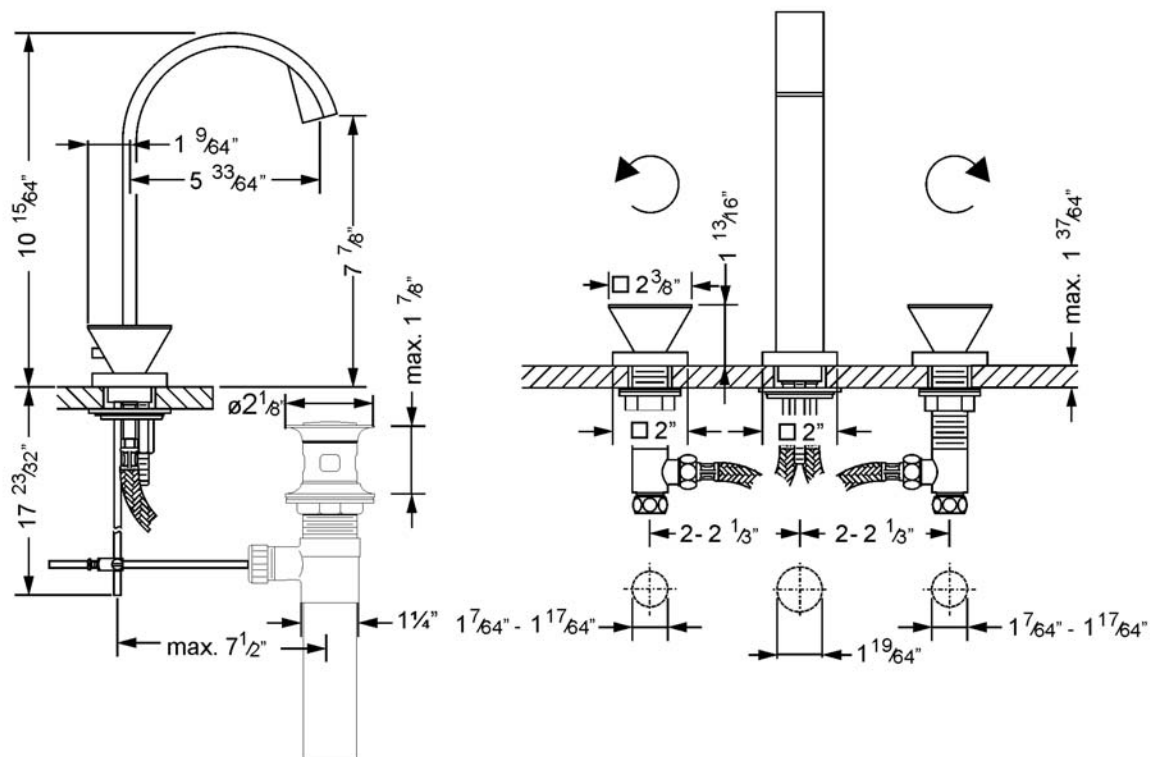
EMPIRE ROYAL CRYSTAL

627.30.800.xxx-AA

Washbasin 3-hole mixer 1/2"



- with crystal handles
- spout projection 6 7/64"; height 10 15/64"
- faucet body constructed of solid brass
- Neoperl aerated stream aerator M16,5 x 1
- flow rate 1.2 GPM
- double handle operation - valves with 1/4 turn ceramic internal upper parts 1/2", clockwise and counter-clockwise closure
- Fluehs valving (made in Germany)
- Neoperl flexible hose technology
- metal pop-up drain included



EMPIRE ROYAL CRYSTAL

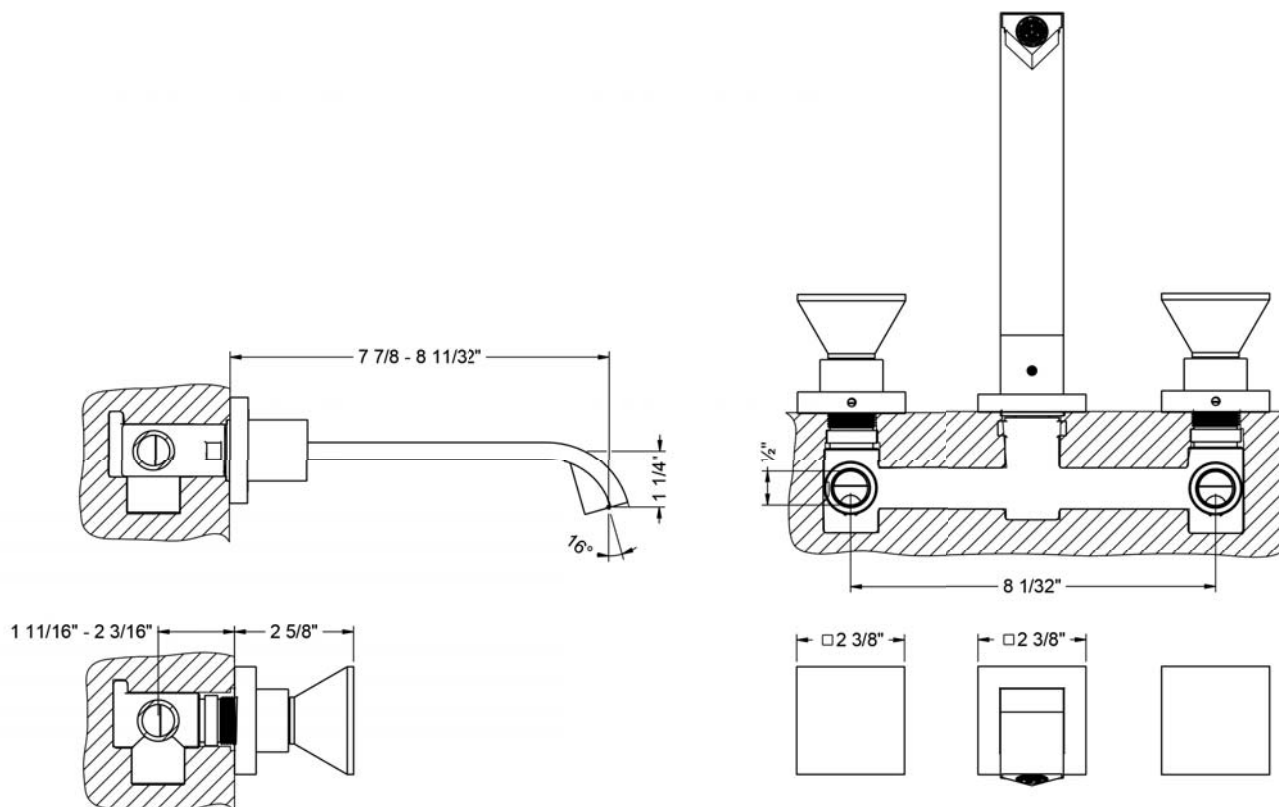
627.30.360.xxx-AA

Wall washbasin 3-hole mixer $\frac{1}{2}$ " assembly set



- with crystal handles
- wall spout, projection $7 \frac{7}{8}$ " - $8 \frac{11}{32}$ "
- spout constructed of solid brass
- Neoperl aerated stream aerator M16,5 x 1
- flow rate 1.2 GPM
- double handle operation - $\frac{1}{4}$ turn ceramic internal upper parts $\frac{1}{2}$ ", clockwise and counter-clockwise closure
- Fluehs valving (made in Germany)
- must order 649.30.380 rough to complete

- **Required:**
649.30.380.000 | Concealed body $\frac{1}{2}$ "



EMPIRE ROYAL CRYSTAL

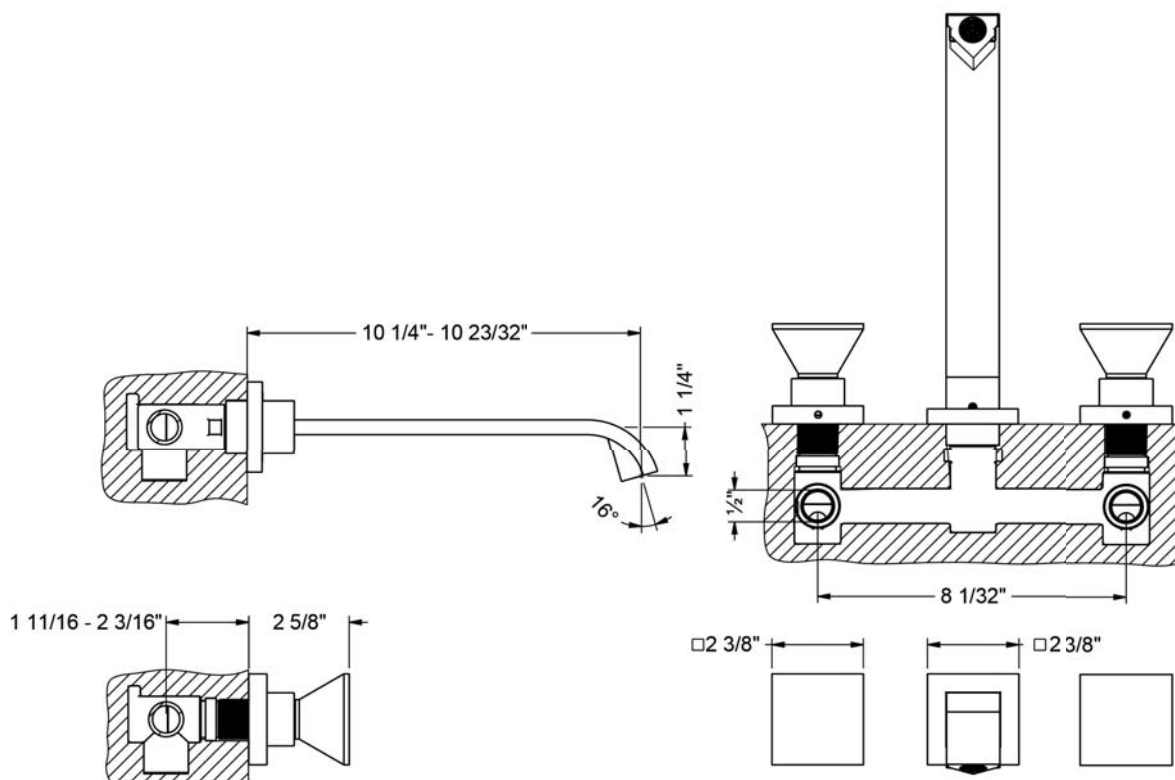
627.30.365.xxx-AA

Wall washbasin 3-hole mixer 1/2" XXL, assembly set



- with crystal handles
- wall spout, projection 10 15/64" - 10 45/64"
- spout constructed of solid brass
- Neoperl aerated stream aerator M16,5 x 1
- flow rate 1.2 GPM
- double handle operation - 1/4 turn ceramic internal upper parts 1/2", clockwise and counter-clockwise closure
- Fluehs valving (made in Germany)
- must order 649.30.380 rough to complete

- **Required:**
649.30.380.000 | Concealed body 1/2"



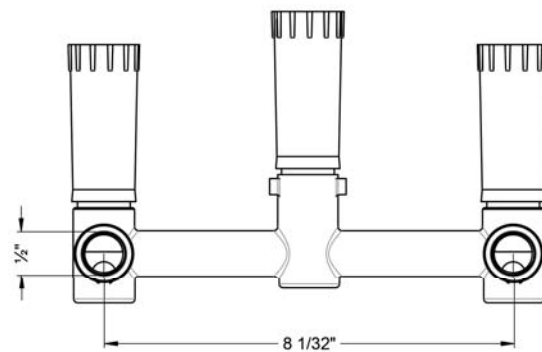
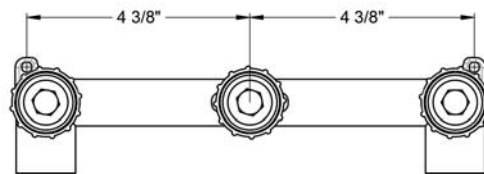
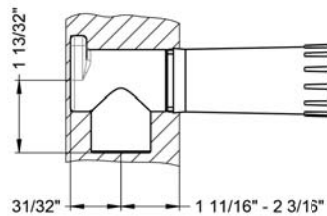
EMPIRE ROYAL CRYSTAL

649.30.380.000

Wall washbasin 3-hole mixer $\frac{1}{2}$ ", concealed body



- center distance $8 \frac{1}{32}$ "; connection: $\frac{1}{2}$ "
- for assembly set XXX.30.360.xxx
- removable plastic water guard



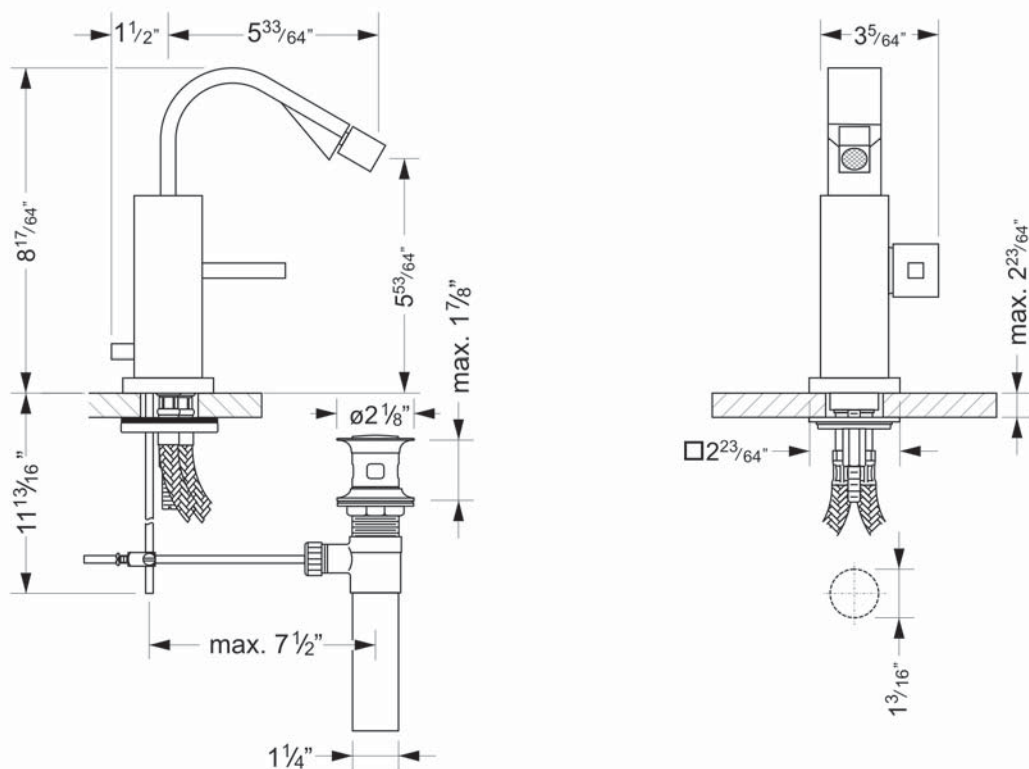
EMPIRE ROYAL CRYSTAL

627.10.611.xxx

Single lever bidet mixer



- spout projection $5 \frac{33}{64}$ " ; height $8 \frac{17}{64}$ "
- swivelling spout
- faucet constructed of solid brass
- Neoperl aerated stream aerator M16,5 x 1 with ball joint
- flow rate 1.2 GPM
- single handle operation; cartridge with ceramic discs
- metal pop-up drain included
- 2 pressure hoses M10x1 x $\frac{9}{16}$ "-UNEF x $17 \frac{13}{32}$ "
- Neoperl flexible hose technology



EMPIRE ROYAL CRYSTAL

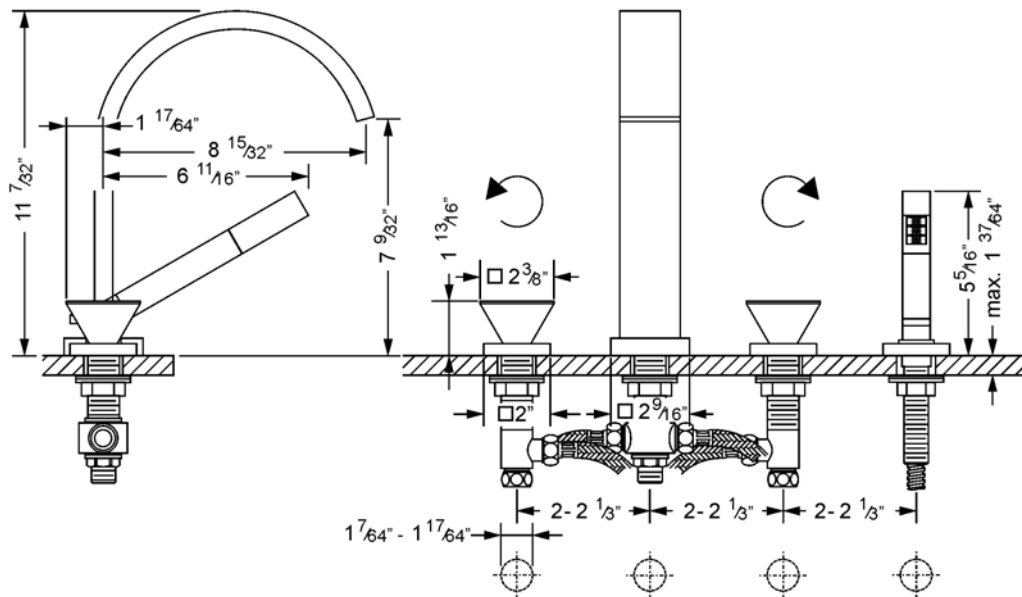
626.40.100.xxx-AA

Tub/shower mixer set 1/2", deck mount



- with crystal handles
- spout projection 8 15/32"; height 11 7/32"
- spout made of solid brass construction
- free fall spout
- flow rate 7.1 GPM at 60 PSI
- automatic diverter tub/shower
- double handle operation - valves with 1/4 turn ceramic internal upper parts 1/2", clockwise and counter-clockwise closure
- Fluehs valving (made in Germany)
- Neoperl flexible hose technology
- metal shower hose 78 47/64"
- metal 1-spray hand shower 1.8 GPM with easy to clean silicon nozzles and backflow preventer

- **Recommended:**
649.40.160.000 | Assembly plate, complete

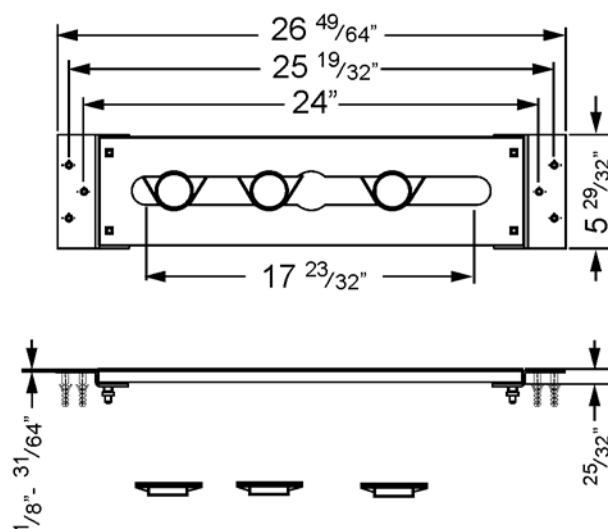


EMPIRE ROYAL CRYSTAL

649.40.160.000

Assembly plate, complete

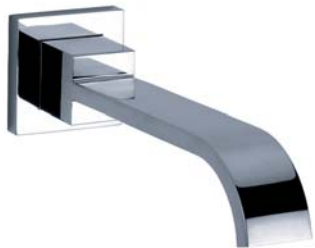
- for deck mounted tub/shower mixer
- inclusive pressure hoses $\frac{1}{2}$ "x $\frac{1}{2}$ "x $23 \frac{5}{8}$ "
- for hot and cold water
- for wet or dry construction
- plate with no visible screw fastening
- tub/shower mixers exchangeable
- high-quality materials and a noble appearance



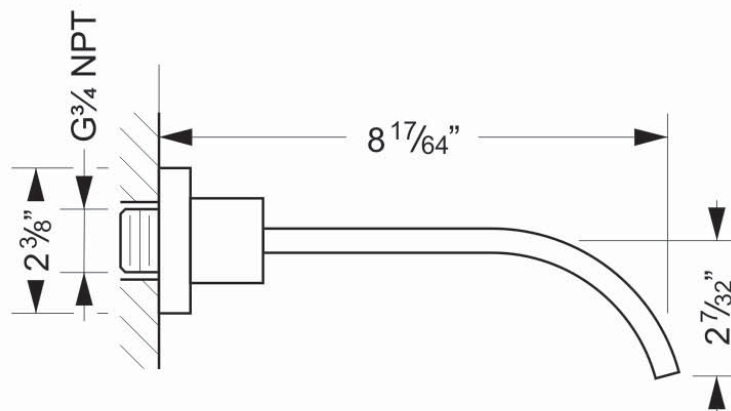
EMPIRE ROYAL CRYSTAL

626.11.100.xxx

Tub wall spout 3/4"



- spout projection $7 \frac{7}{8}'' - 8 \frac{1}{32}''$
- without aerator
- special concealed wall attachment



EMPIRE ROYAL CRYSTAL

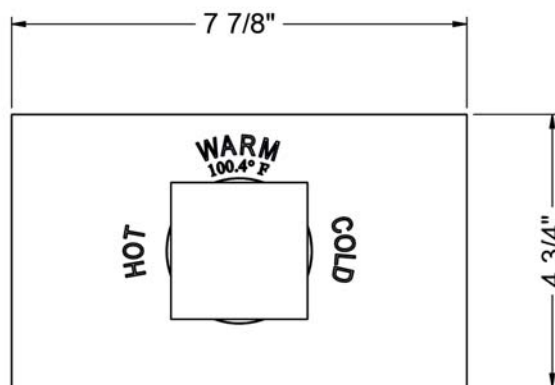
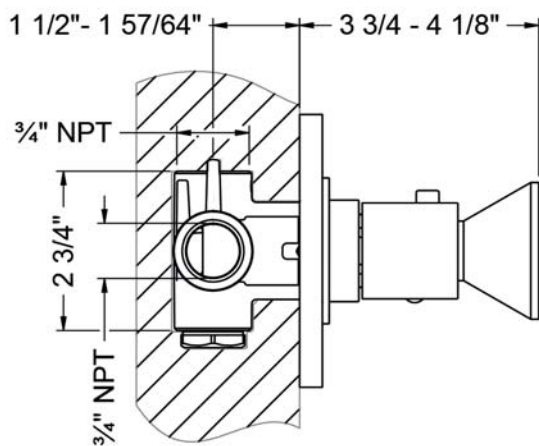
626.40.520.xxx-AA

Concealed wall thermostat $\frac{3}{4}$ " without flow control, assembly set



- crystal handle for temp. control
- locking device at 100,4°F
- must order 649.40.520.000 rough to complete

- **Required:**
649.40.520.000 | Concealed thermostat body $\frac{3}{4}$ "



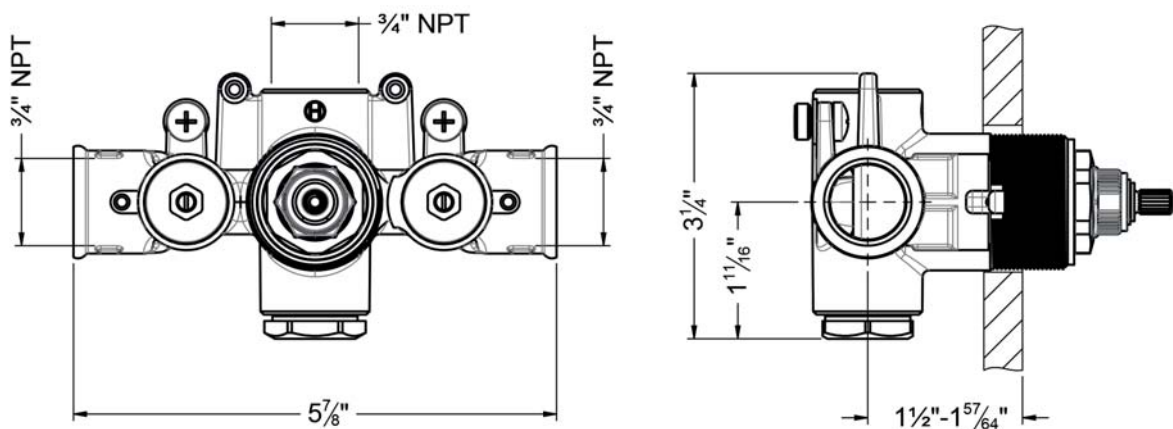
EMPIRE ROYAL CRYSTAL

649.40.520.000

Concealed thermostat body $\frac{3}{4}$ "



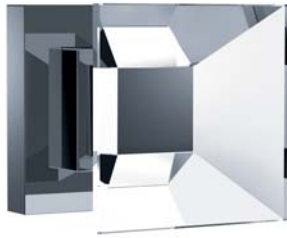
- for assembly set XXX.40.520.xxx
- flow rate 12 GPM at 60 PSI
- volume control not included
- integrated screens and one outlet plug included
- bottom outlet for tub spout only
- if PEX is utilized, oversize the supply line to 1" for full flow capacity
- min. install depth: $1 \frac{15}{16}$ "
- max. install depth: $2 \frac{17}{32}$ "
- fast thermal element shut-down in case of cold water loss, fast response time to reduce hot and cold spikes
- complete with mud guard for installation



EMPIRE ROYAL CRYSTAL

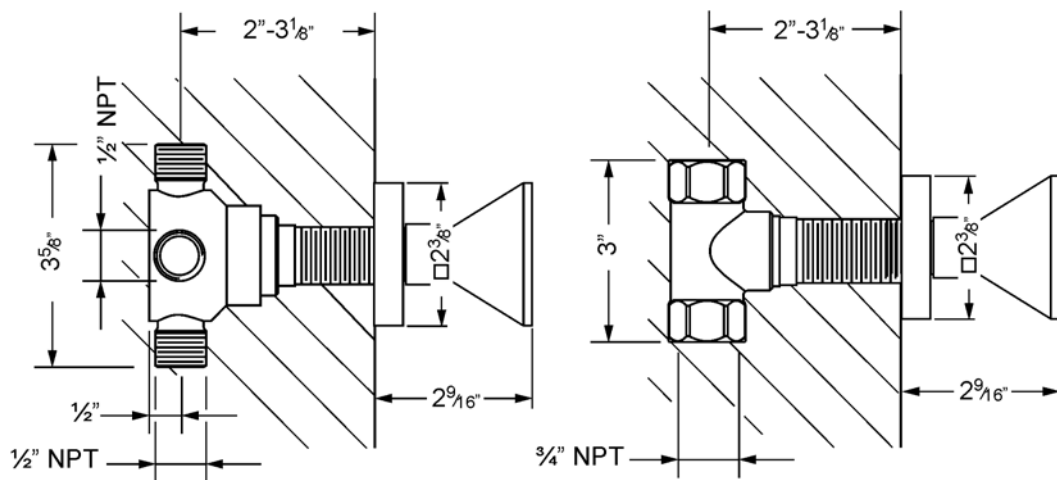
626.60.432.xxx-AA

Wall volume control $\frac{3}{4}$ " or wall diverter $\frac{1}{2}$ ", assembly set only



- with crystal handle, escutcheon
- must order 649.20.410.000 rough to complete (Wall volume control $\frac{3}{4}$ ")
- must order 649.40.620.000 rough to complete (Wall diverter $\frac{1}{2}$ ")

- **Required:**
649.20.410.000 | Concealed wall valve $\frac{3}{4}$ " , rough only
649.40.620.000 | 4-port,3-way dedicated diverter rough only



with concealed wall valve 649.40.620.000

with concealed wall valve 649.20.410.000

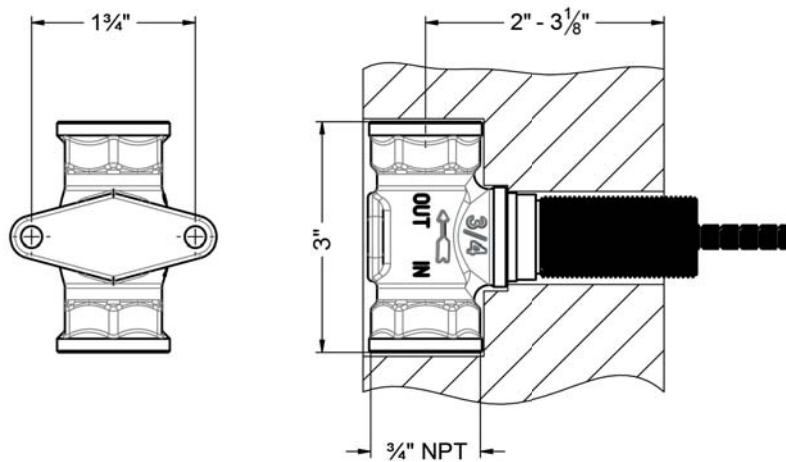
EMPIRE ROYAL CRYSTAL

649.20.410.000

Concealed wall valve $\frac{3}{4}$ " rough only



- for assembly set XXX.60.432.xxx or XXX.60.435.xxx
- 1 inlet, 1 outlet
- $\frac{3}{4}$ " NPT inlet, $\frac{3}{4}$ " NPT outlet
- back of valve to finished wall 4" min., 4 $\frac{1}{2}$ " max
- one extension kit included. Cut to length desired
- extension kits can be stacked. Order part # 649.20.551
- flow rate 16 GPM at 60 PSI



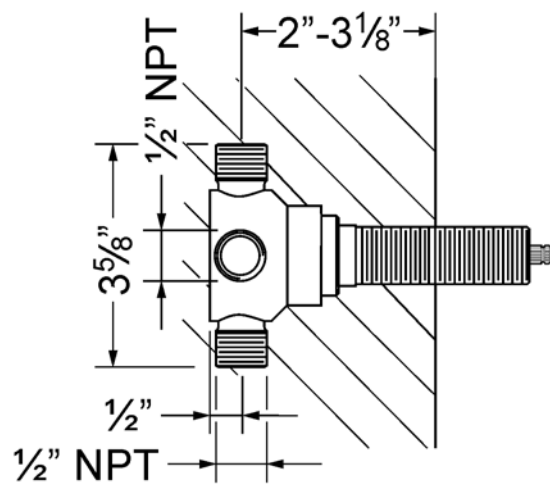
EMPIRE ROYAL CRYSTAL

649.40.620.000

4-port,3-way dedicated diverter, rough only



- for assembly set XXX.60.432.xxx or XXX.60.435.xxx
- solid brass construction; ceramic disc cartridge
- must use with volume control trim
- 1/2" M NPT inlet; 3 x 1/2" M NPT outlets
- flow is dedicated. May not be split into two outlets at once
- flow rate 5 GPM at 60 PSI
- CALGreen compliant
- ASME A112.18.1, CSA B125 and ASSE 1016 standards compliant

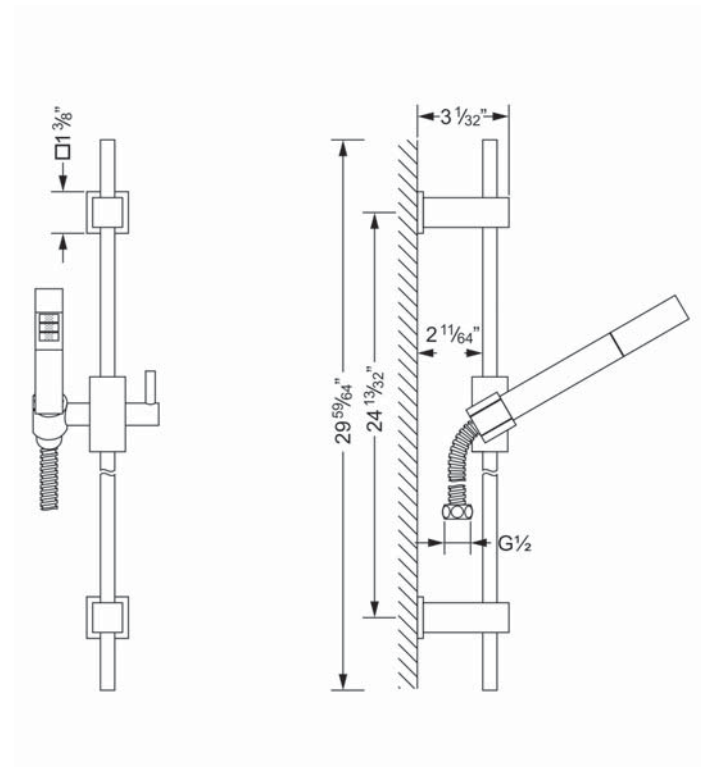


EMPIRE ROYAL CRYSTAL

626.13.300.xxx

Shower bar set, complete

- wall bar $29 \frac{59}{64}$ "
- height-adjustable hand shower holder with slider
- metal 1-spray hand shower 1.8 GPM with easy to clean silicon nozzles and backflow preventer
- metal shower hose $68 \frac{57}{64}$ ", both sides
- with turning cone

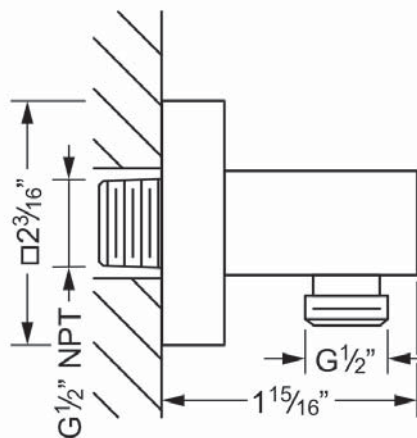


EMPIRE ROYAL CRYSTAL

626.13.155.xxx

Wall elbow connection 1/2", without cradle

- discharge 1/2"
- with backflow preventer, escutcheon



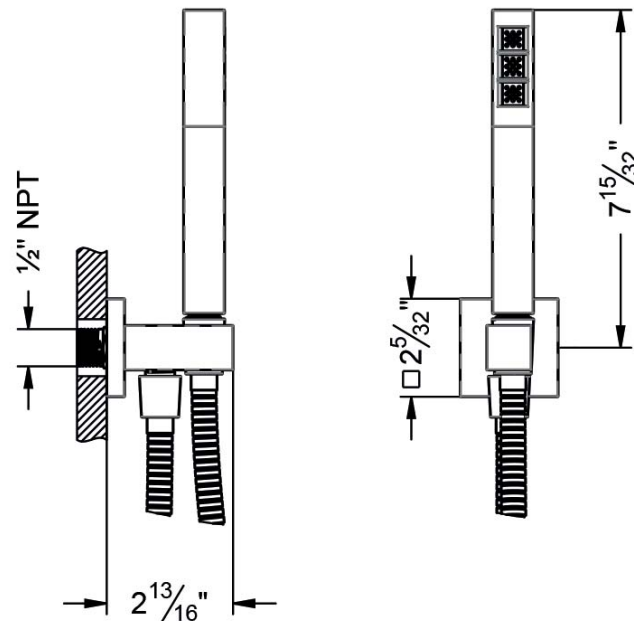
EMPIRE ROYAL CRYSTAL

626.13.210.xxx

Shower combination



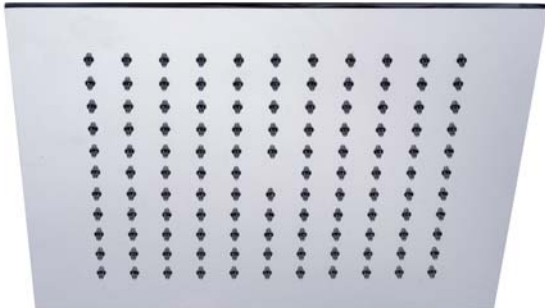
- wall fitting and elbow connection $\frac{1}{2}$ "
- metal 1-spray hand shower 1.8 GPM with easy to clean silicon nozzles and backflow preventer
- metal shower hose 59 $\frac{1}{16}$ ", both sides
- with turning cone



EMPIRE ROYAL CRYSTAL

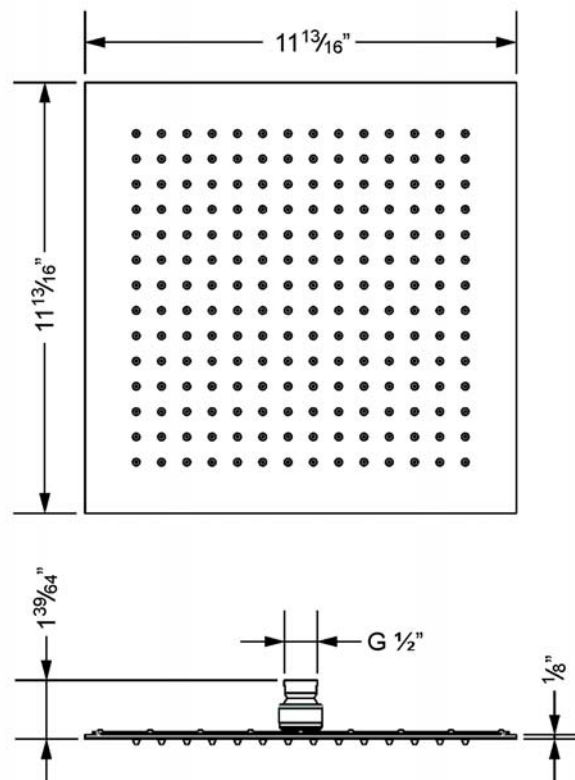
649.13.975.xxx

Rain shower head $\frac{1}{2}$ " \times $11\frac{13}{16}$ " \times $11\frac{13}{16}$ "



- full metal body
- 3 mm ultra-thin
- with ball joint
- easy to clean silicon nozzles
- 1.8 GPM flow rate
- connection $G\frac{1}{2}$ "

- Please order wall or ceiling bracket with the rain shower head separately.

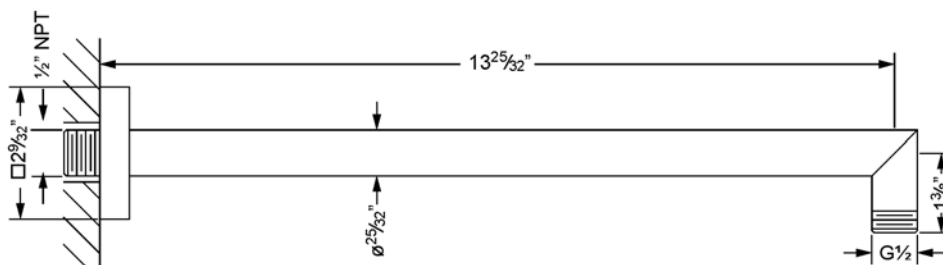


EMPIRE ROYAL CRYSTAL

649.13.785.xxx

Wall bracket 1/2"

· projection 13 25/32"

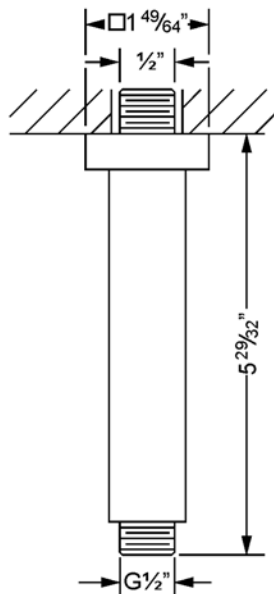


EMPIRE ROYAL CRYSTAL

649.13.771.xxx

Ceiling bracket 1/2"

· length 5 29/32" (150 mm)



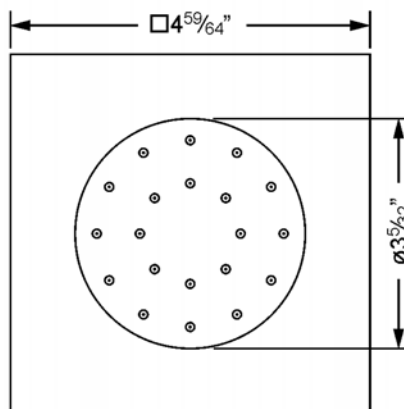
EMPIRE ROYAL CRYSTAL

649.13.526.xxx

Body spray side shower 1/2"



- escutcheon 4 59/64" x 4 59/64", wall assembly
- swivel shower head, 20°
- easy to clean silicon nozzles
- material: ABS
- 1.2 GPM flow rate
- connection G1/2"



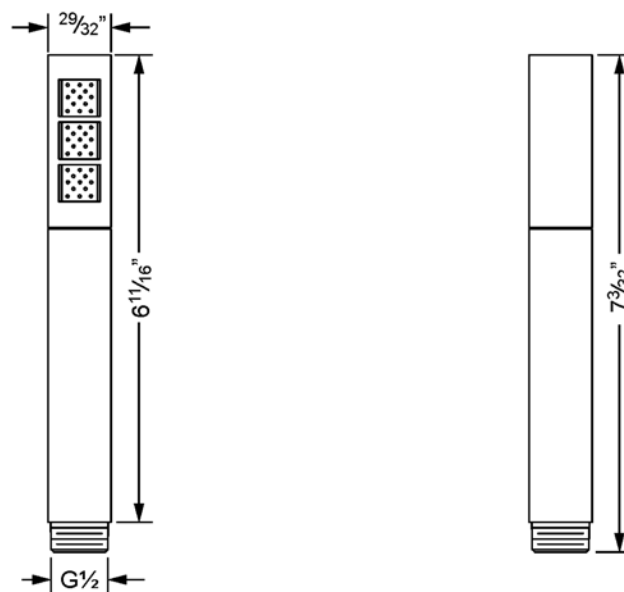
EMPIRE ROYAL CRYSTAL

649.13.375.xxx

Hand shower 1/2"



- material metal
- 1-spray hand shower
- easy to clean silicon nozzles
- 1.8 GPM flow rate
- connection G1/2"

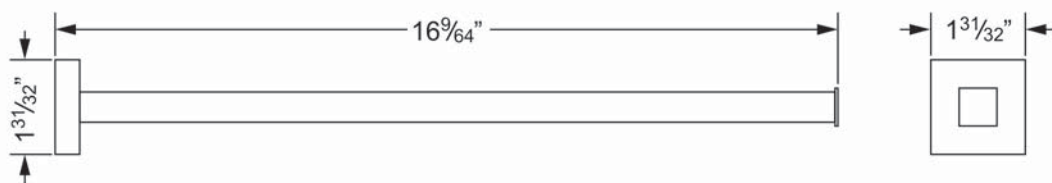


EMPIRE ROYAL CRYSTAL

626.00.002.xxx

Towel bar

- rigid bar, approx. $16\frac{1}{32}$ "
- constructed of solid brass
- including mounting plate, screws and dowels



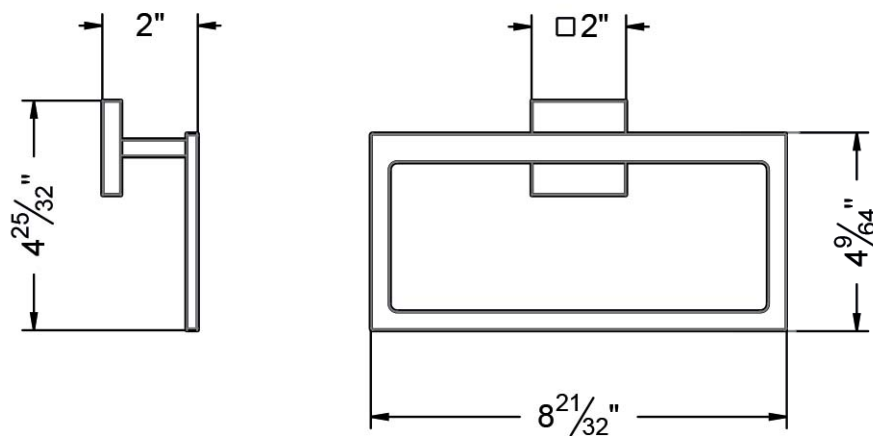
EMPIRE ROYAL CRYSTAL

627.00.047.xxx

Towel ring



- $8 \frac{21}{32}$ " x $4 \frac{9}{64}$ "
- closed version
- constructed of solid brass
- including mounting plate, screws and dowels

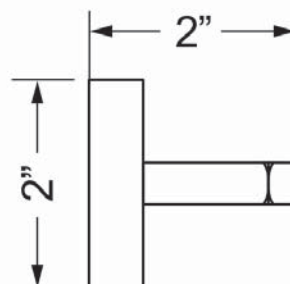
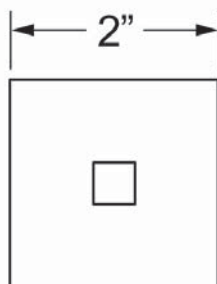


EMPIRE ROYAL CRYSTAL

626.00.022.xxx

Robe hanger

- constructed of solid brass
- including mounting plate, screws and dowels

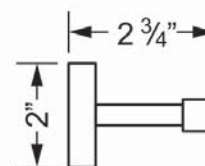
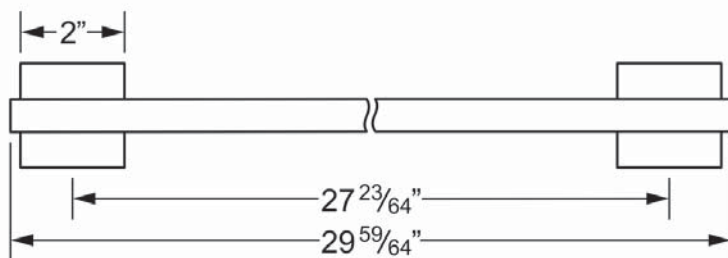


EMPIRE ROYAL CRYSTAL

626.00.040.xxx

Bath towel bar

- approx. 30 $\frac{5}{16}$ "
- special dimensions are possible on request for an additional charge of 10%
- constructed of solid brass
- including mounting plate, screws and dowels

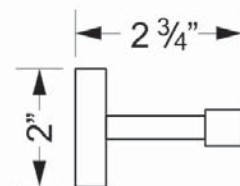
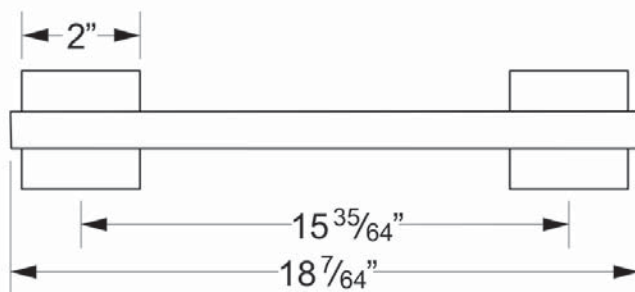


EMPIRE ROYAL CRYSTAL

626.00.031.xxx

Bath towel bar

- approx. 12 1/64"
- constructed of solid brass
- including mounting plate, screws and dowels

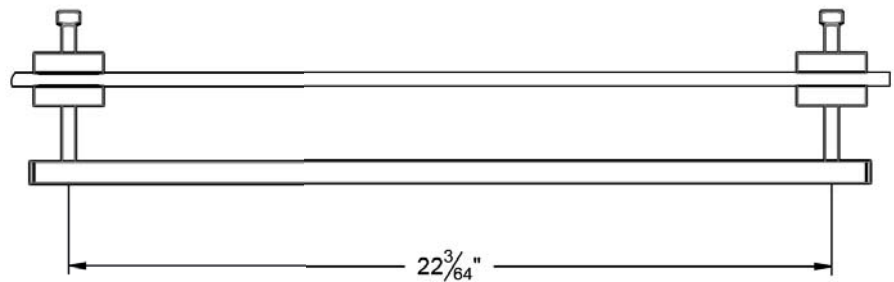
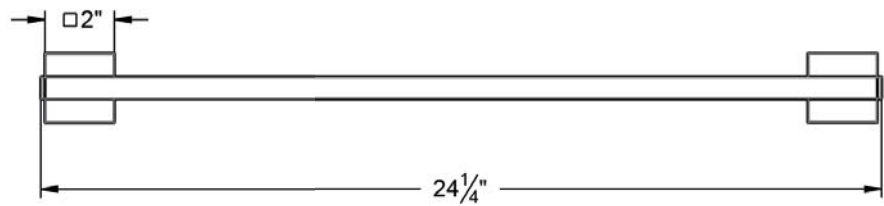
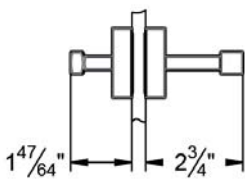


EMPIRE ROYAL CRYSTAL

626.00.030.xxx

Shower door handle

- approx. 22 $\frac{3}{64}$ "
- constructed of solid brass
- including mounting plate, screws and dowels



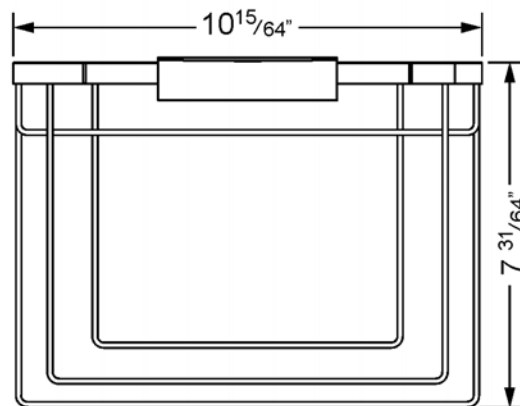
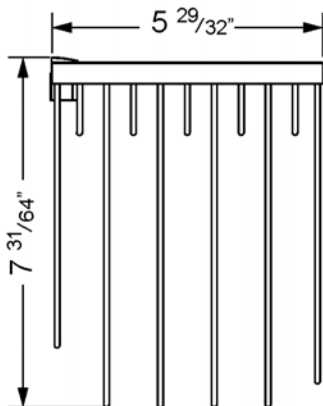
EMPIRE ROYAL CRYSTAL

634.00.104.xxx

Guest towel basket, angular



- wall version
- with shelf
- basket size $10 \frac{15}{64}'' \times 5 \frac{29}{32}'' \times 7 \frac{31}{64}''$
- constructed of solid brass
- including mounting plate, screws and dowels



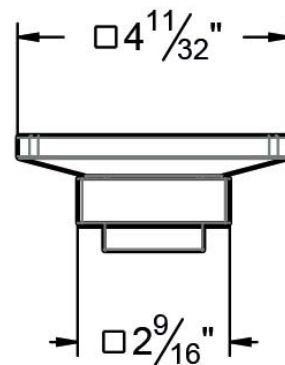
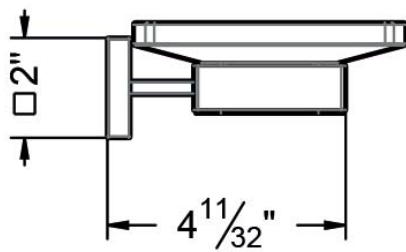
EMPIRE ROYAL CRYSTAL

627.00.007.xxx

Soap dish holder, complete



- crystal glass dish, frosted
- constructed of solid brass
- including mounting plate, screws and dowels

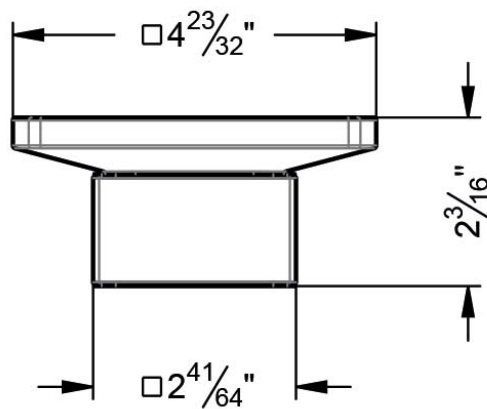


EMPIRE ROYAL CRYSTAL

627.00.017.xxx

Soap dish holder, complete

- free standing version
- crystal glass dish, frosted
- constructed of solid brass



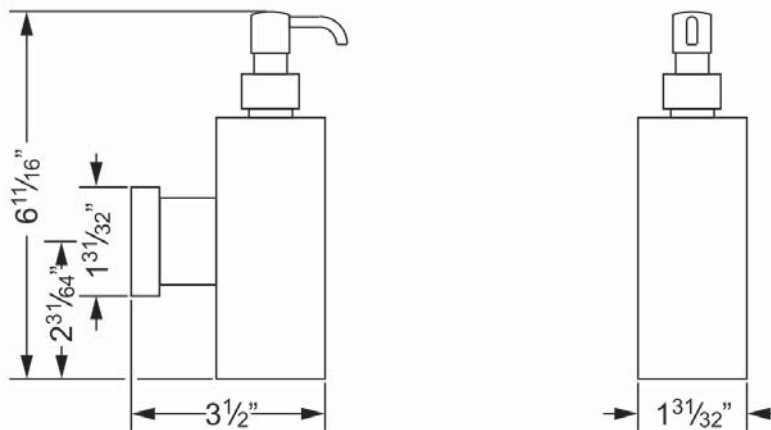
EMPIRE ROYAL CRYSTAL

627.00.006.xxx

Soap dispenser, complete



- wall version
- constructed of solid brass
- including mounting plate, screws and dowels



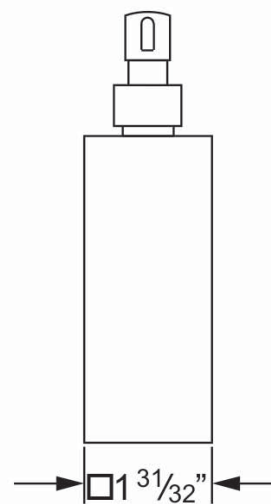
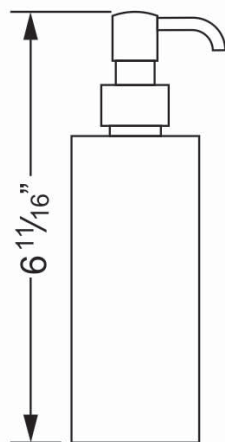
EMPIRE ROYAL CRYSTAL

627.00.016.xxx

Soap dispenser, complete



- free standing version
- constructed of solid brass

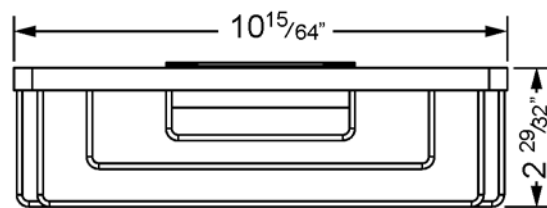
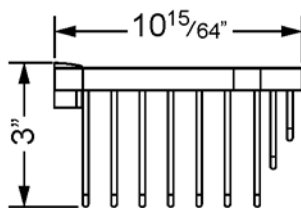
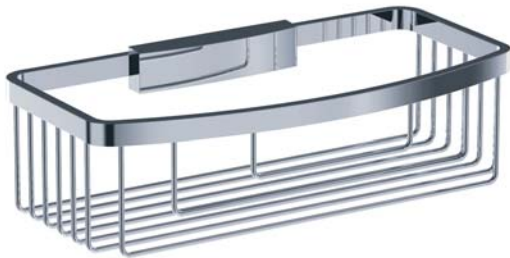


EMPIRE ROYAL CRYSTAL

634.00.105.xxx

Sponge basket

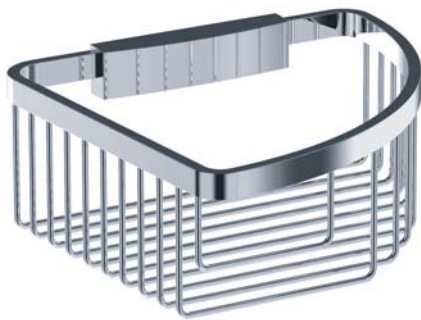
- wall version
- rectangular, $10 \frac{15}{64}''$ x $5 \frac{1}{8}''$
- constructed of solid brass
- including mounting plate, screws and dowels



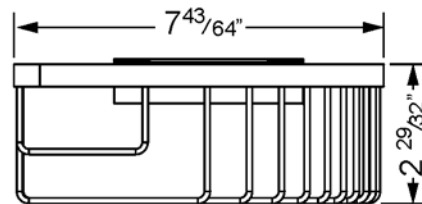
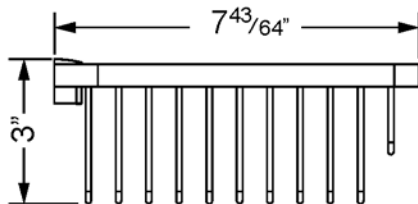
EMPIRE ROYAL CRYSTAL

634.00.106.xxx

Corner sponge basket



- wall version
- $7 \frac{43}{64}'' \times 7 \frac{43}{64}''$
- constructed of solid brass
- including mounting plate, screws and dowels

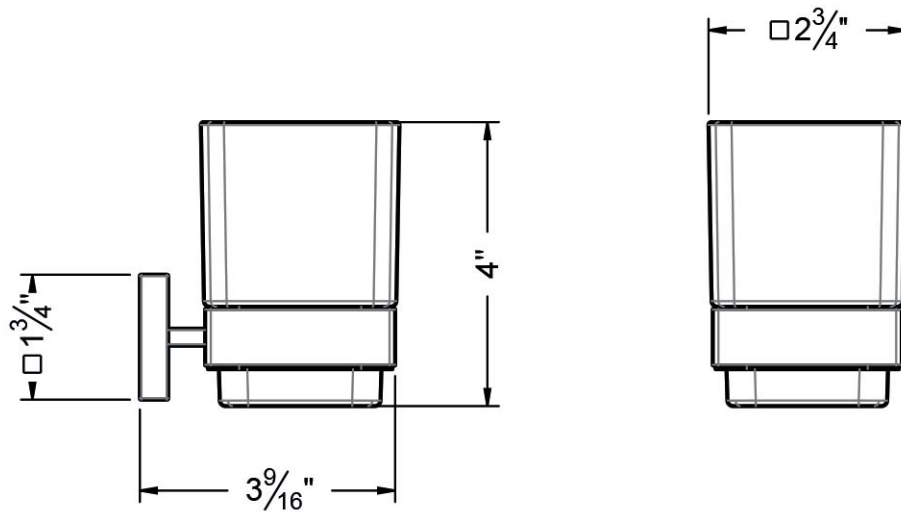


EMPIRE ROYAL CRYSTAL

627.00.036.xxx

Tumbler holder, complete

- crystal glass tumbler, frosted
- constructed of solid brass
- including mounting plate, screws and dowels

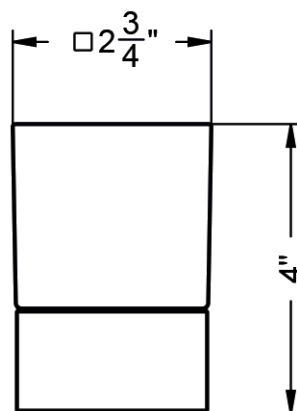


EMPIRE ROYAL CRYSTAL

627.00.046.xxx

Tumbler holder, complete

- free standing version
- crystal glass tumbler, frosted
- constructed of solid brass



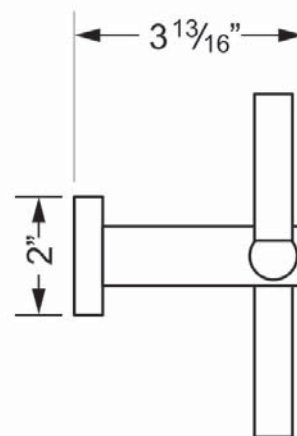
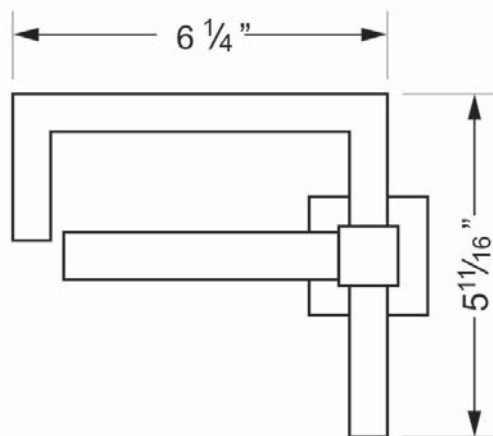
EMPIRE ROYAL CRYSTAL

626.00.014.xxx

Toilet paper roll holder



- mobile bracket
- constructed of solid brass
- including mounting plate, screws and dowels



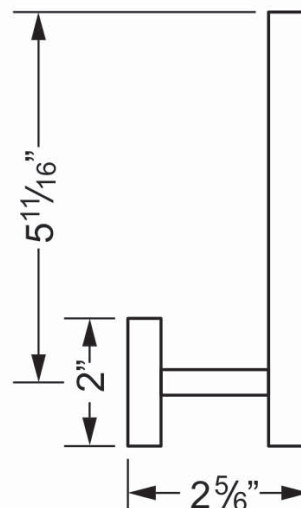
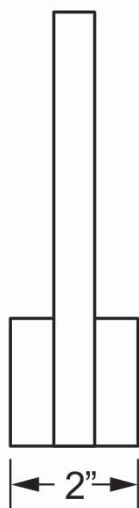
EMPIRE ROYAL CRYSTAL

626.00.015.xxx

Spare toilet paper roll holder



- constructed of solid brass
- including mounting plate, screws and dowels
- can be used as a "paper holder without cover" when rotated by 90°



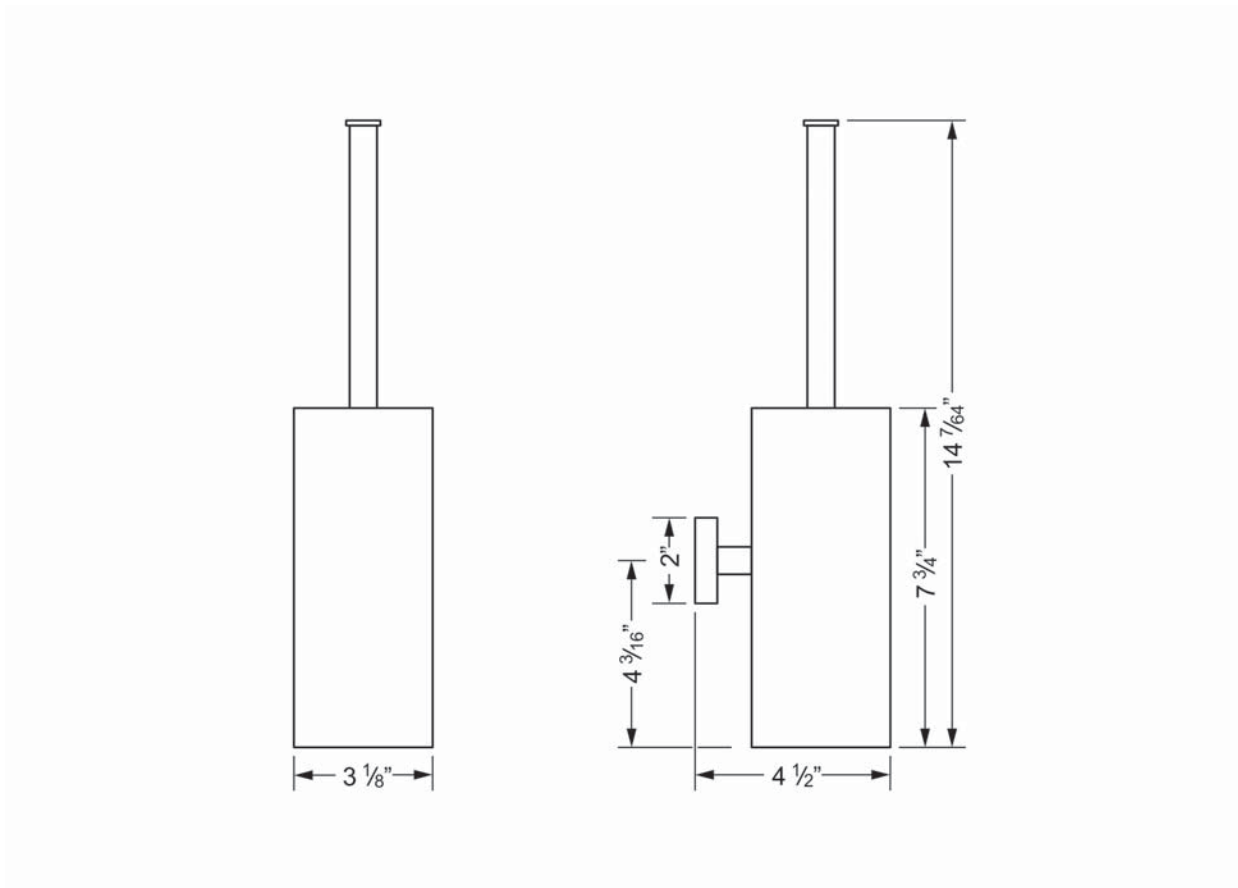
EMPIRE ROYAL CRYSTAL

627.00.000.xxx

Toilet brush holder set, complete



- suspended model
- constructed of solid brass
- including mounting plate, screws and dowels



EMPIRE ROYAL CRYSTAL

627.00.001.xxx

Toilet brush holder set, complete



- floor standing model
- constructed of solid brass

