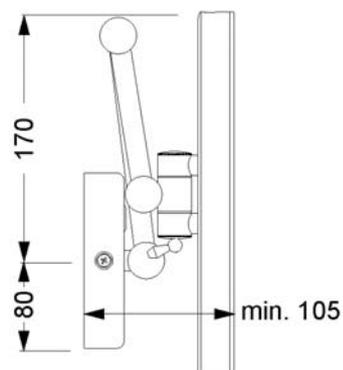
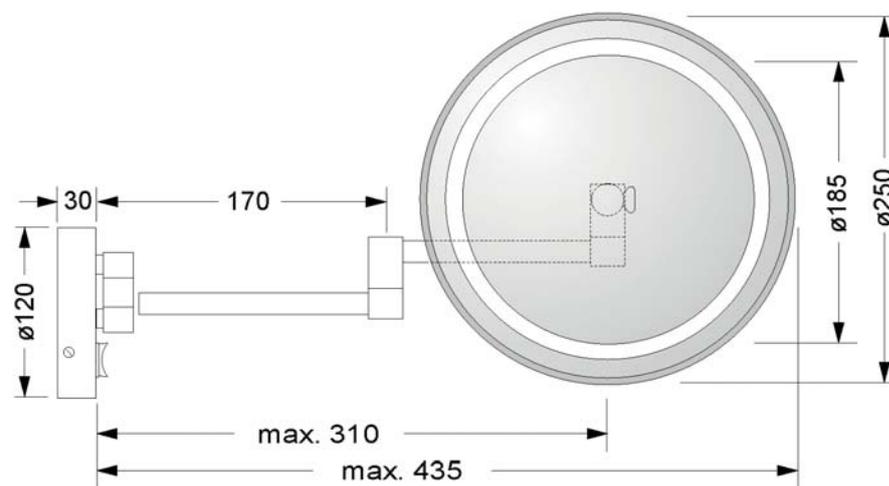


649.00.414.xxx

Cosmetic mirror, inclusive lighting



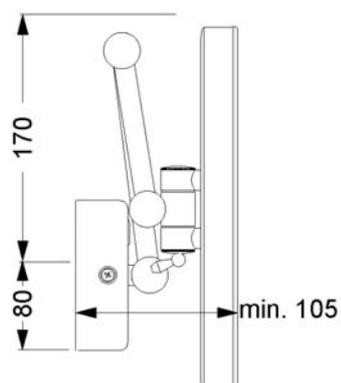
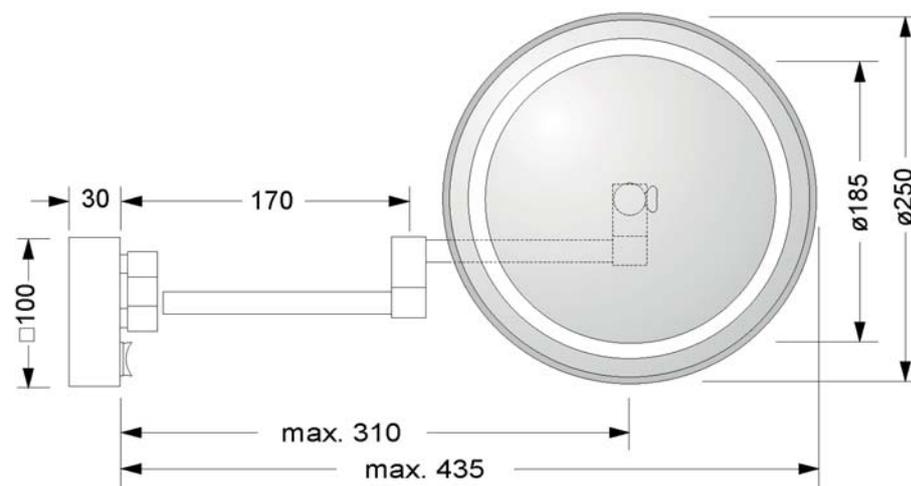
- wall model
- swivelling and extendable
- magnification 3:1
- direct connection
- mirror \varnothing 185 mm
- frame \varnothing 250 mm
- touch control of the background light



649.00.418.xxx

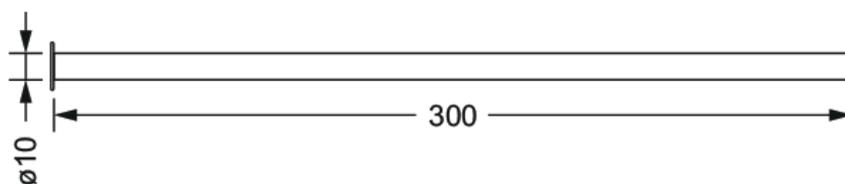
Cosmetic mirror, inclusive lighting

- wall model
- swivelling and extendable
- magnification 3:1
- direct connection
- mirror \varnothing 185 mm
- frame \varnothing 250 mm
- touch control of the background light



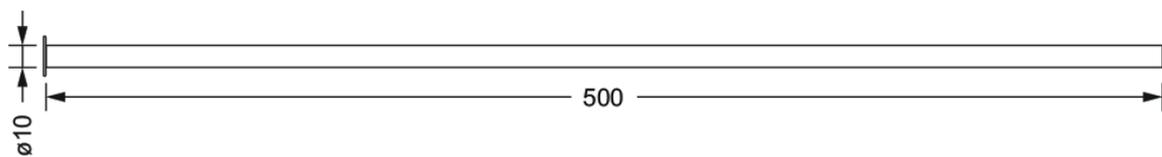
649.15.530.xxx
Copper tube, 300 mm

- with flange
- for compression joint



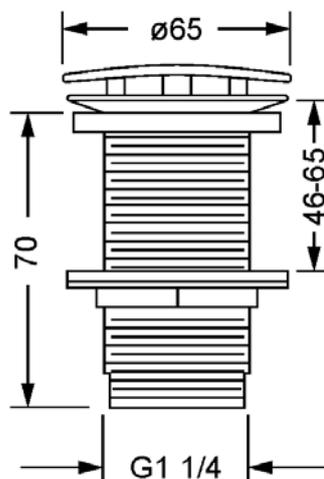
649.15.550.xxx
Copper tube, 500 mm

- with flange
- for compression joint



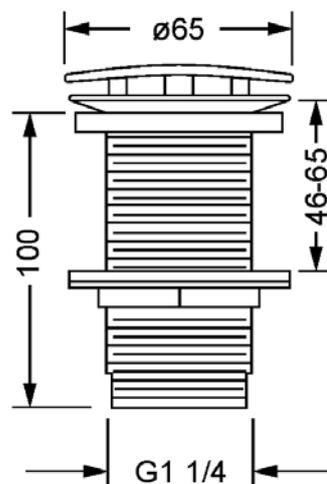
649.15.270.xxx
Restraint drain/waste 1 1/4"

- length of shaft 70 mm
- for washbasins without overflow



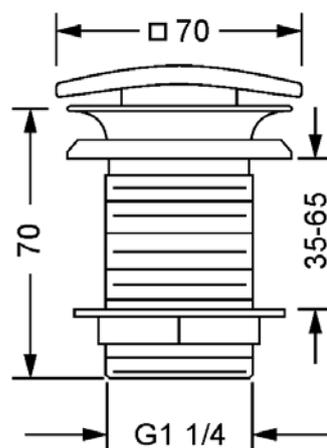
649.15.271.xxx
Restraint drain/waste 1 1/4"

- length of shaft 100 mm
- for washbasins without overflow



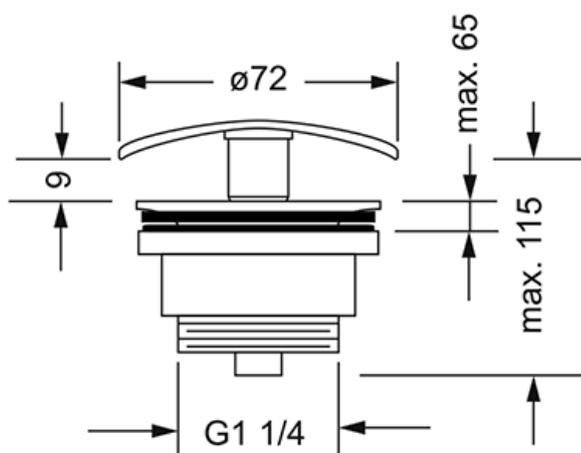
649.15.290.xxx
Restraint drain/waste 1 1/4"

- length of shaft 70 mm
- for washbasins without overflow



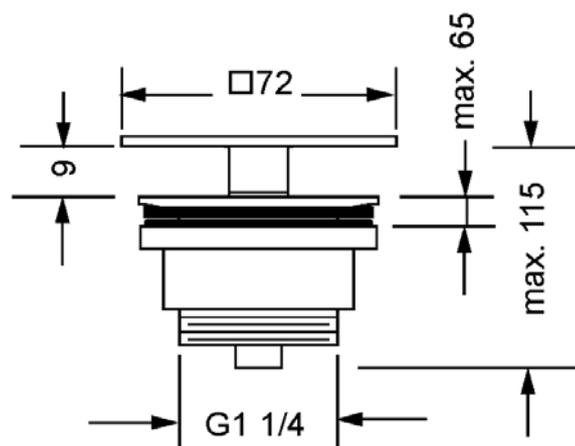
649.15.276.xxx
Restraint drain/waste 1 1/4"

- with round plug
- with center fixing screw



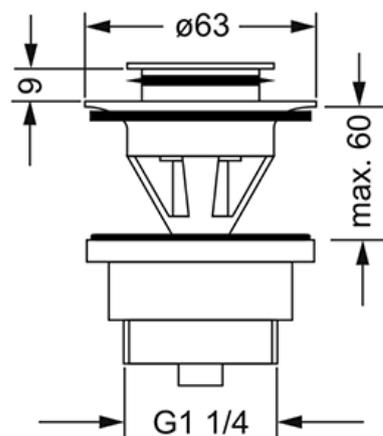
649.15.296.xxx
Restraint drain/waste 1 1/4"

- with square plug
- with center fixing screw



649.15.285.xxx
Drain/waste with click system 1 ¼"

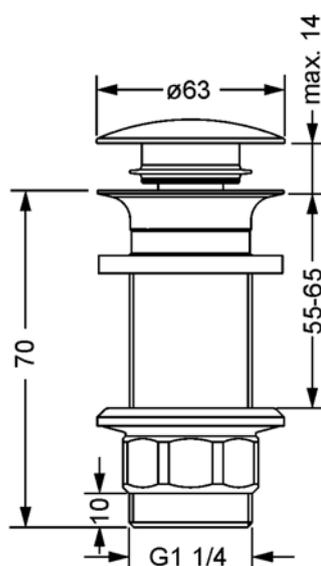
- with center fixing screw
- for all types of washbasin with and without overflow



649.15.280.xxx

Drain/waste with click system 1 1/4"

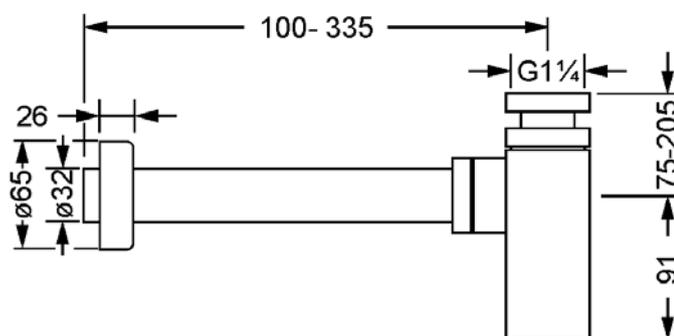
- length of shaft 70 mm
- for all types of washbasin with and without overflow



649.15.380.xxx

Washbasin cupped siphon trap 1 ¼"

- wall mounting
- heavy brass, square design
- escutcheon
- outlet tube \varnothing 32 mm

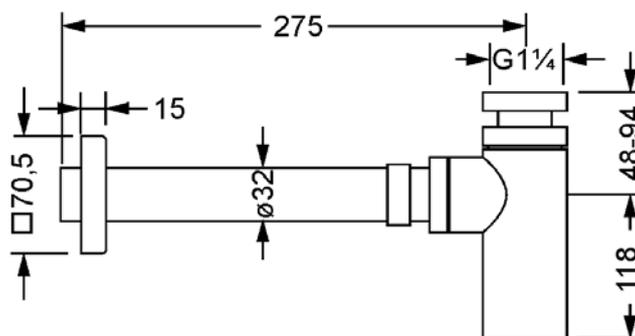


649.15.334.xxx

Washbasin cupped siphon trap 1 ¼"



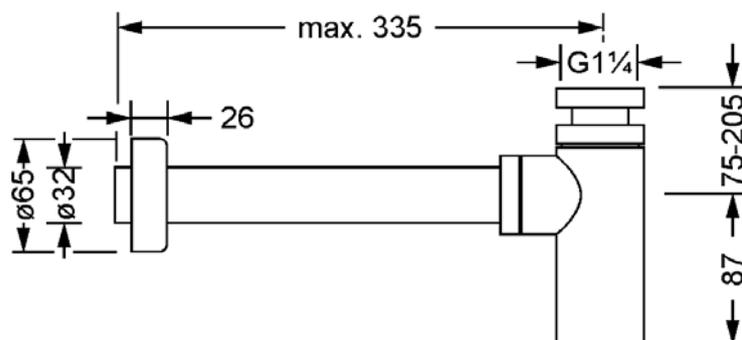
- wall mounting
- heavy brass
- escutcheon
- outlet tube \varnothing 32 mm
- dip pipe 165 mm



649.15.340.xxx

Washbasin cupped siphon trap 1 ¼"

- wall mounting
- heavy metal
- escutcheon
- outlet tube \varnothing 32 mm
- siphon depth 165 mm

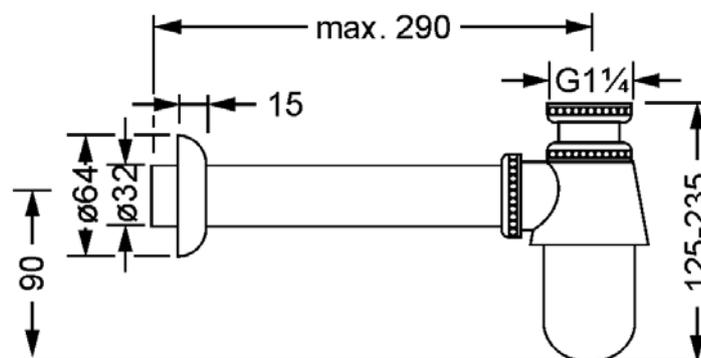


649.15.310.xxx

Washbasin cupped siphon trap 1 ¼"



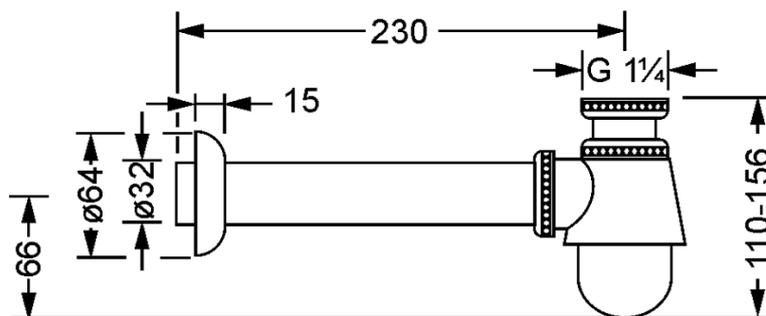
- wall mounting
- heavy brass
- escutcheon
- outlet tube \varnothing 32 mm
- dip pipe 150 mm



649.15.330.xxx

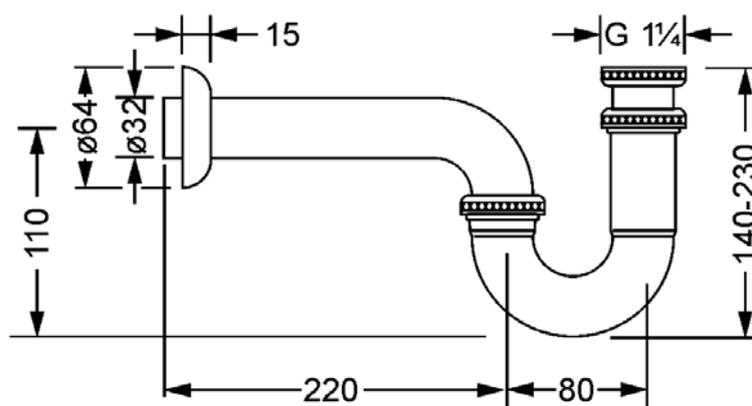
Bidet cupped siphon trap 1 ¼"

- wall mounting
- heavy brass
- escutcheon
- outlet tube \varnothing 32 mm



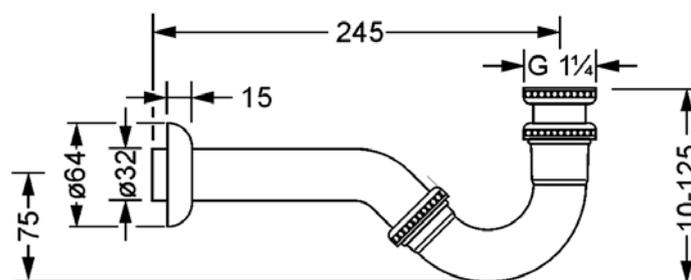
649.15.350.xxx
Washbasin tubular siphon trap 1 ¼"

- escutcheon
- outlet tube ø 32 mm



649.15.370.xxx
Bidet tubular siphon trap 1 1/4"

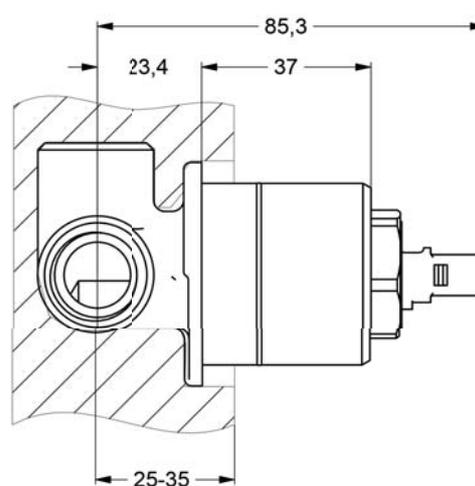
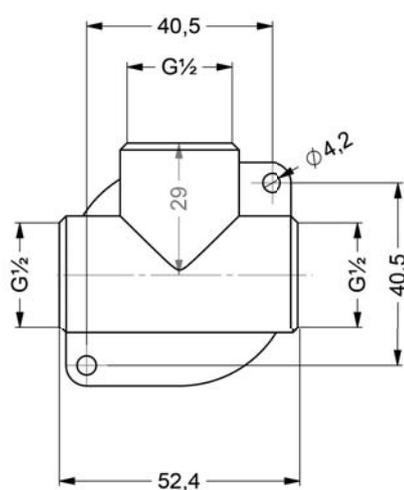
- escutcheon
- outlet tube \varnothing 32 mm



649.20.237.000

Single lever mixer 1/2", concealed body

- cartridge with ceramic discs 1/2"
- for assembly set XXX.20.237.xxx
- flow rate 26 l/min at 3 bar



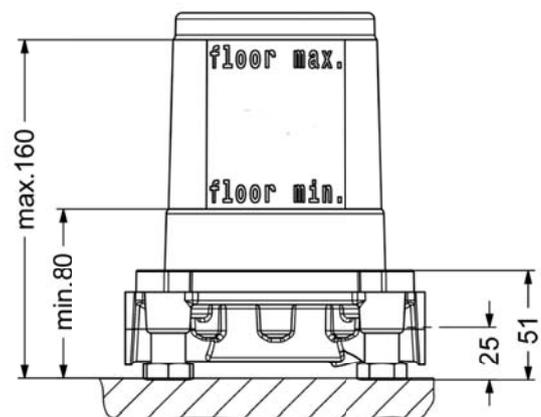
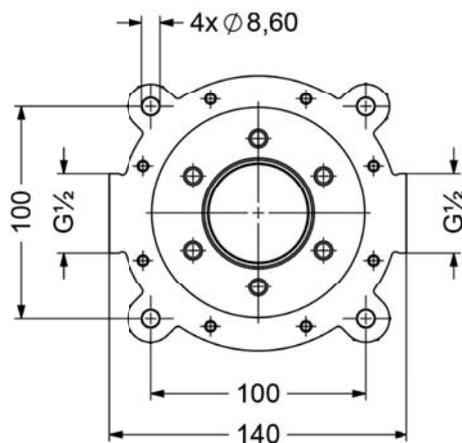
649.10.970.000

Assembly set for pre-installation



- adjustable to accommodate uneven floors
- mud guard with min/max floor depth
- rough can be installed and rotated to fit pipes
- trim can be rotated 360 degrees

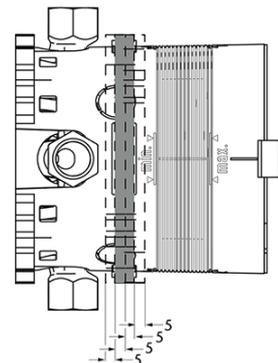
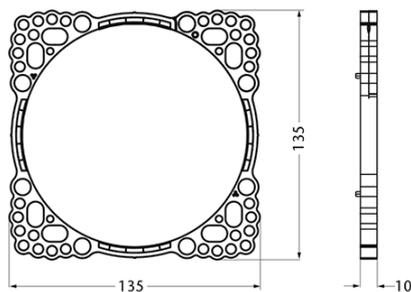
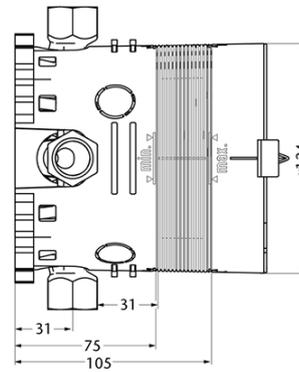
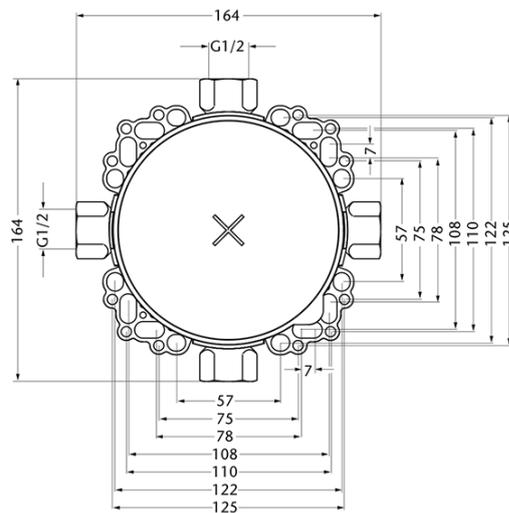
- **To order a complete unit, please order the concealed wall box with an assembly set.**



649.40.360.000
Concealed wall box 1/2"

- for installing concealed wall thermostats 1/2"
- for wetwall and drywall construction

- **To order a complete unit, please order the concealed wall box with an assembly set.**

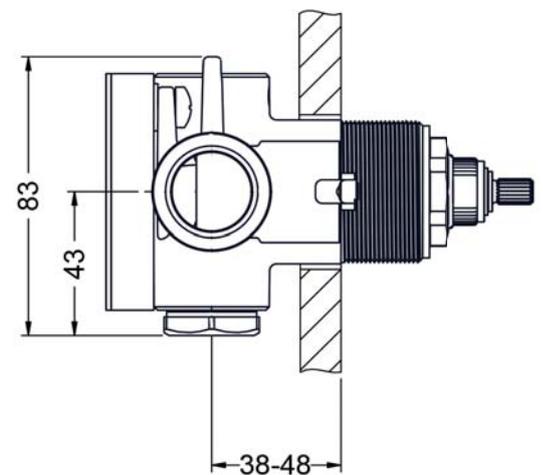
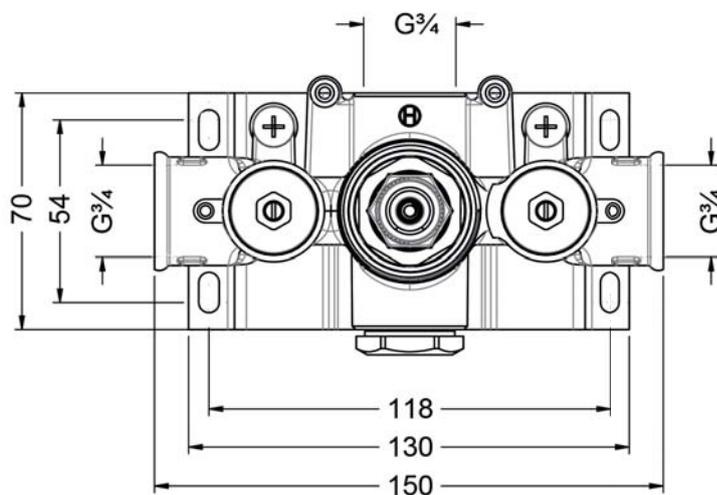


649.40.520.000

Concealed thermostat body $\frac{3}{4}$ "



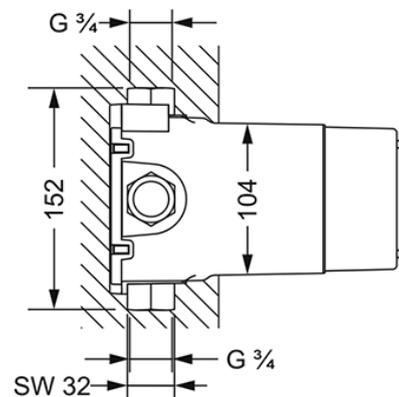
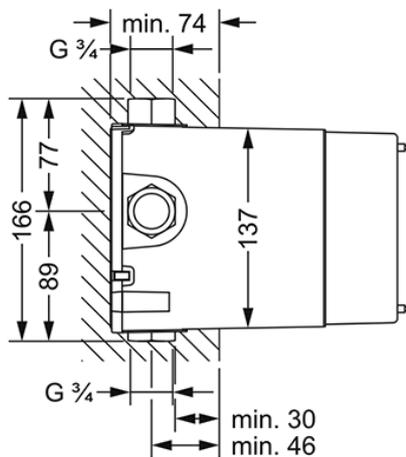
- for assembly set XXX.40.520.xxx
- cartridge with filter screens
- for wetwall and drywall construction
- without shut-off
- flow rate 41 l/min at 3 bar
- fast thermal element shut-down in case of cold water loss, fast response time to reduce hot and cold spikes
- complete with mud guard for installation



649.40.555.000

Concealed thermostat body $\frac{3}{4}$ "

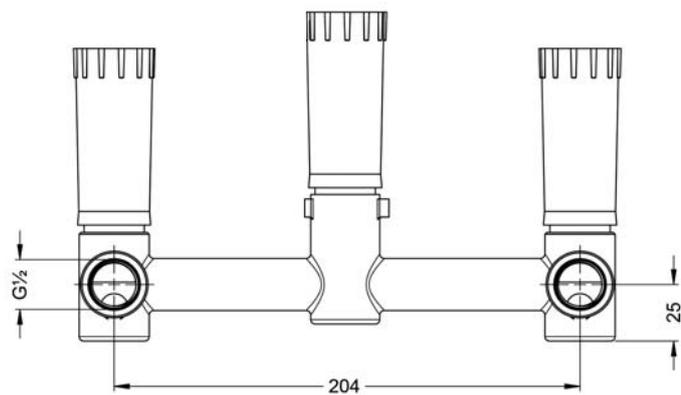
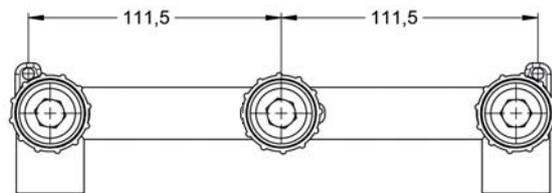
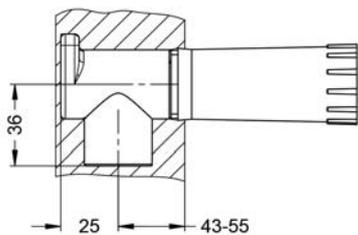
- for assembly set XXX.40.555.xxx
- cartridge with filter screens
- for wetwall and drywall construction
- without shut-off
- flow rate 64,2 l/min at 3 bar



649.30.380.000

Wall washbasin 3-hole mixer, concealed body 1/2"

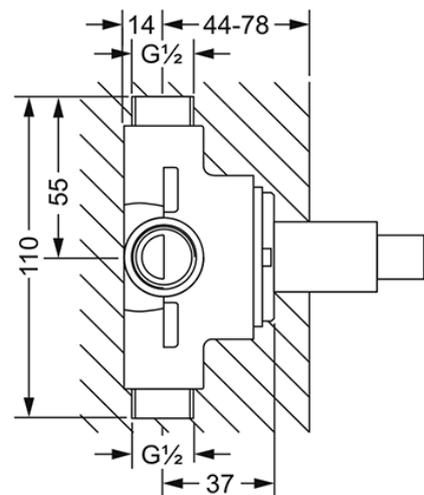
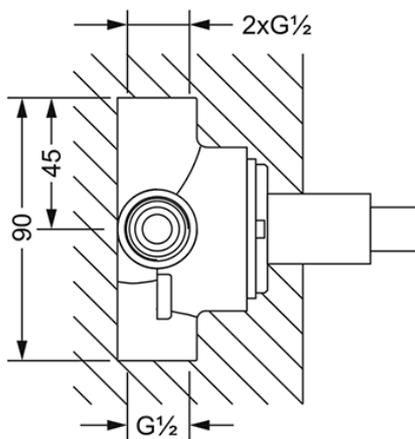
- 2 connections 1/2", center distance 204 mm
- for assembly set XXX.30.360.xxx and XXX.30.365.xxx



649.40.600.000

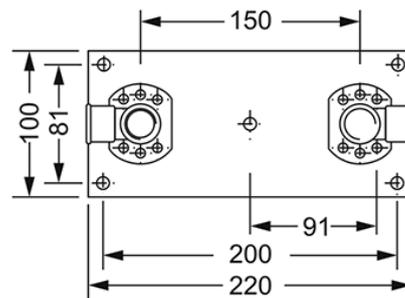
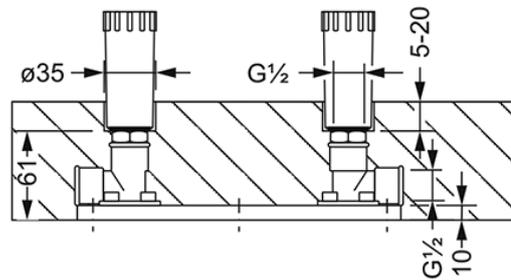
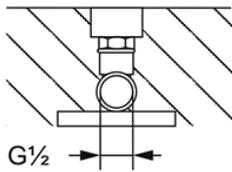
Concealed 3-position diverter 1/2" diverter body

- for assembly set XXX.40.650.xxx
- flow rate 52 l/min at 3 bar



109.10.970.000
Assembly set for pre-installation

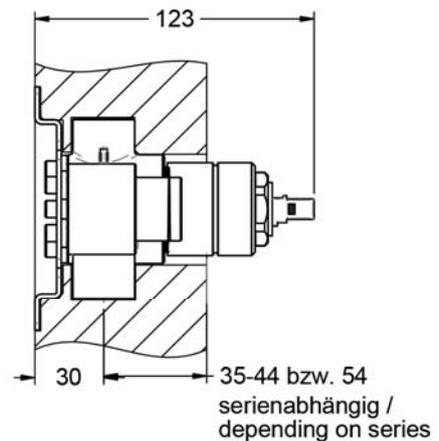
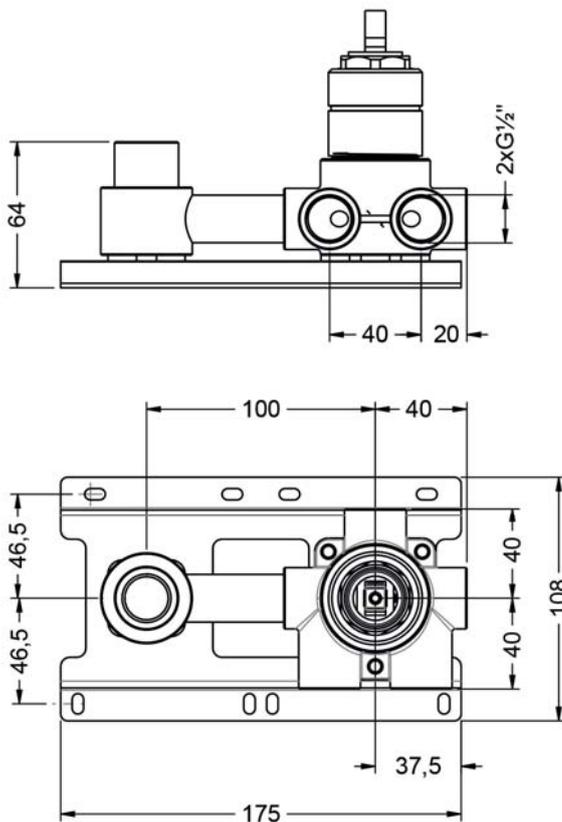
· joint plate with fixing set for water supply pipes XXX.15.260.xxx



649.20.362.000

Single lever wall washbasin mixer ½", concealed body

- control lever on the right
- single handle operation
- for assembly set XXX.20.360.xxx and XXX.20.365.xxx
- cartridge with ceramic discs ½"

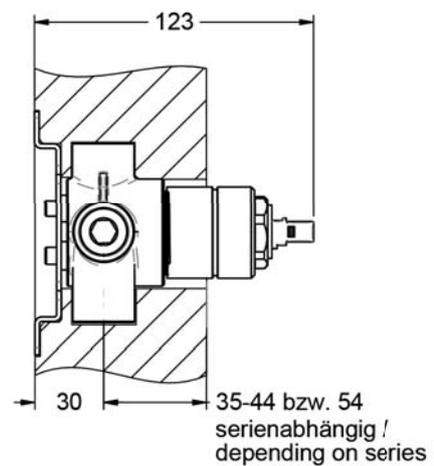
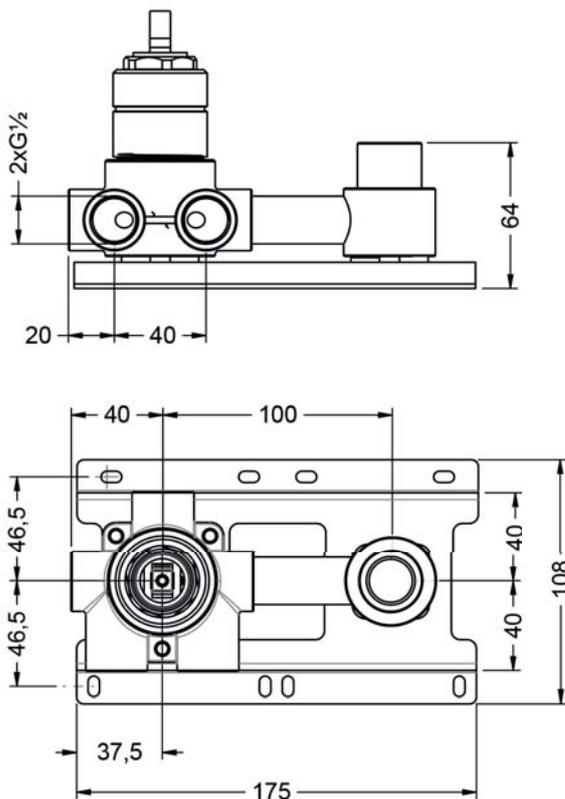


649.20.364.000

Single lever wall washbasin mixer ½", concealed body



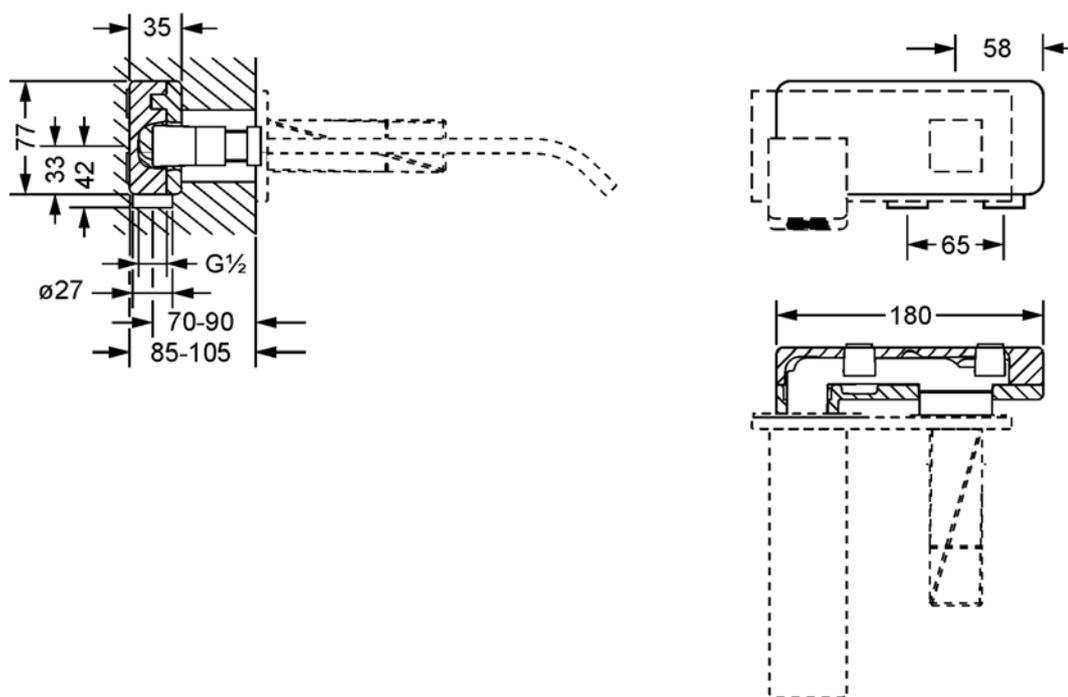
- control lever on the left
- single handle operation
- for assembly set XXX.20.360.xxx and XXX.20.365.xxx
- cartridge with ceramic discs



649.20.370.000

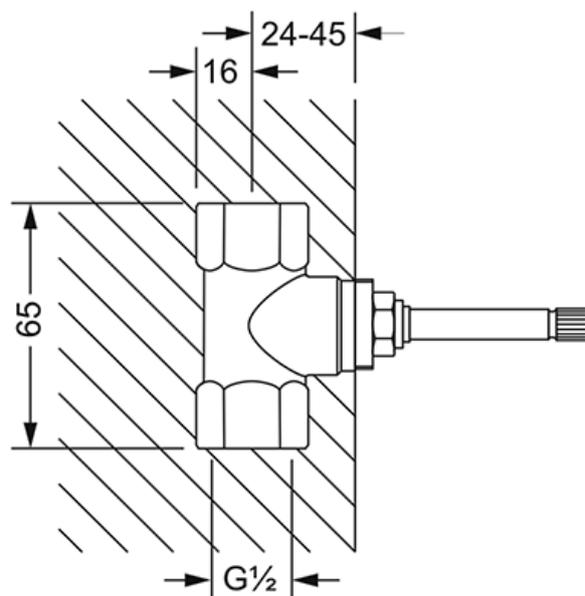
Single lever wall washbasin mixer ½", concealed body

- for assembly set XXX.20.360.xxx
- ceramic cartridge with 180° angle of rotation, shutoff and continuous temperature control



649.20.340.000
Concealed wall valve 1/2", body

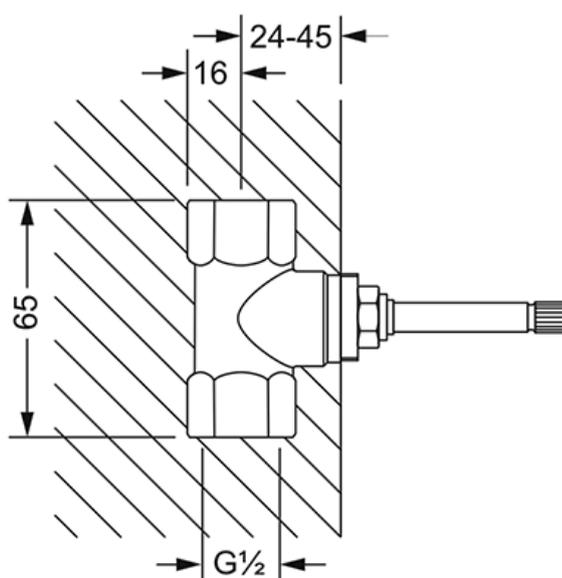
- clockwise closure
- ceramic discs 1/2"
- flow rate 17 l/min at 3 bar



Einbaukörper 1/2"

649.20.345.000
Concealed wall valve 1/2", body

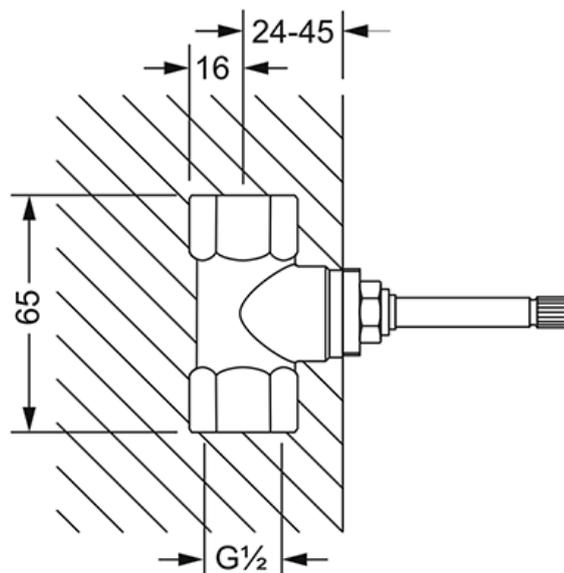
- counter-clockwise closure
- ceramic discs 1/2"
- flow rate 17 l/min at 3 bar



Einbaukörper 1/2"

649.20.350.000
Concealed wall valve 1/2", body

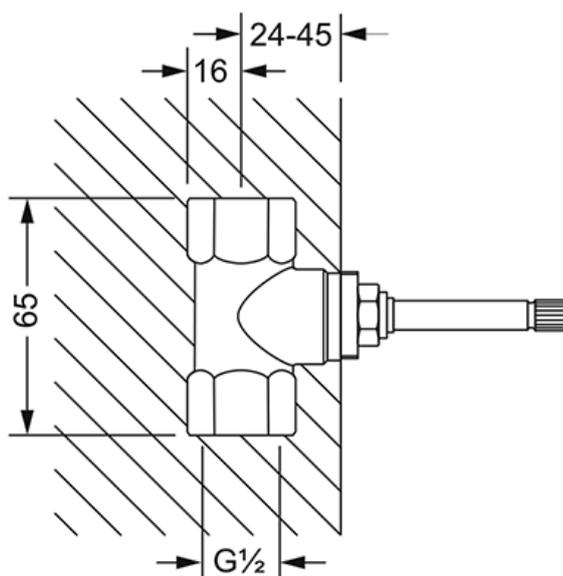
- clockwise closure
- ceramic discs 1/2"
- flow rate 17 l/min at 3 bar



Einbaukörper 1/2"

649.20.355.000
Concealed wall valve 1/2", body

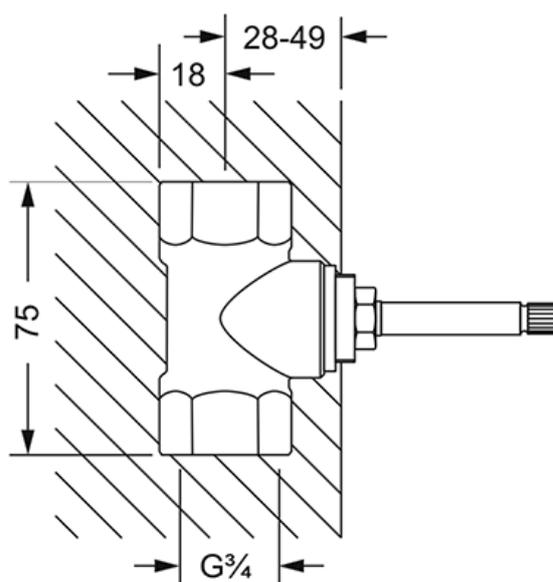
- counter-clockwise closure
- ceramic discs 1/2"
- flow rate 17 l/min at 3 bar



Einbaukörper 1/2"

649.20.440.000
Concealed wall valve $\frac{3}{4}$ ", body

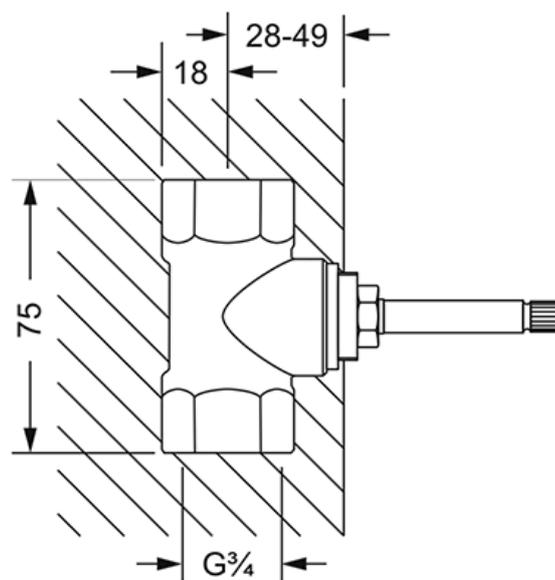
- clockwise closure
- ceramic discs $\frac{3}{4}$ "
- flow rate 21 l/min at 3 bar



Einbaukörper $\frac{3}{4}$ "

649.20.445.000
Concealed wall valve $\frac{3}{4}$ ", body

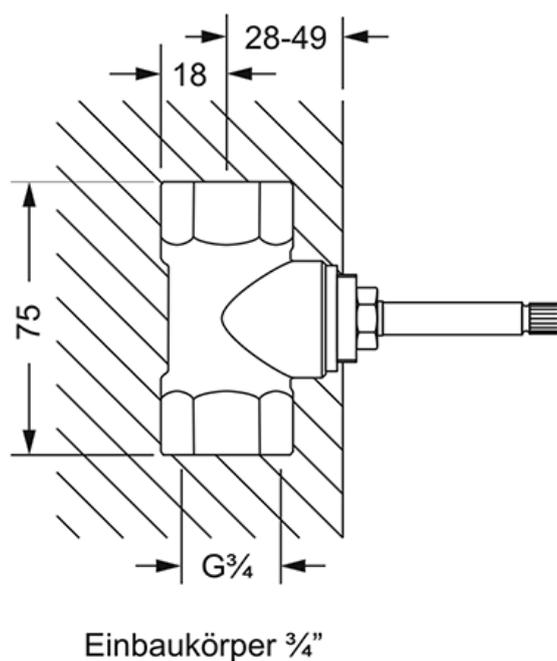
- counter-clockwise closure
- ceramic discs $\frac{3}{4}$ "
- flow rate 21 l/min at 3 bar



Einbaukörper $\frac{3}{4}$ "

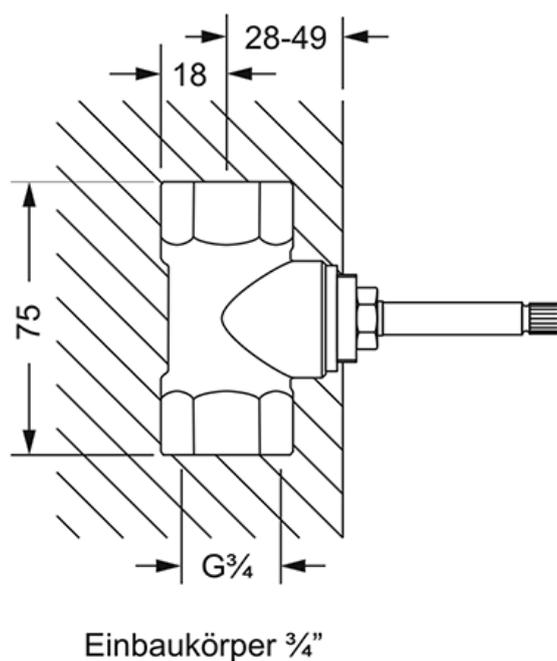
649.20.450.000
Concealed wall valve $\frac{3}{4}$ ", body

- clockwise closure
- ceramic discs $\frac{3}{4}$ "
- flow rate 21 l/min at 3 bar



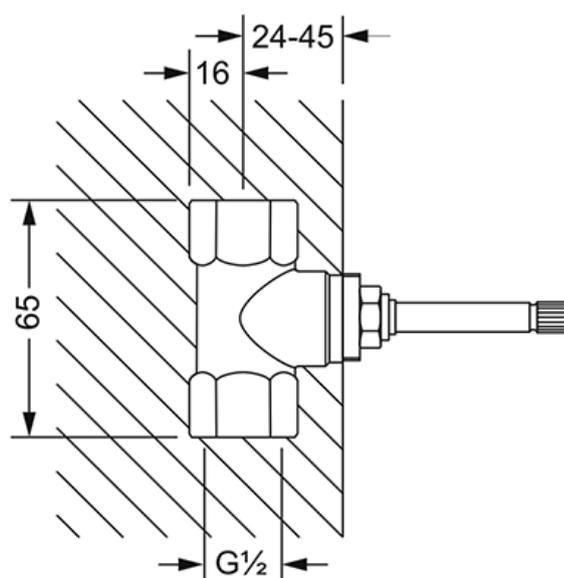
649.20.455.000
Concealed wall valve $\frac{3}{4}$ ", body

- counter-clockwise closure
- ceramic discs $\frac{3}{4}$ "
- flow rate 21 l/min at 3 bar



649.20.351.000
Concealed wall valve 1/2", body

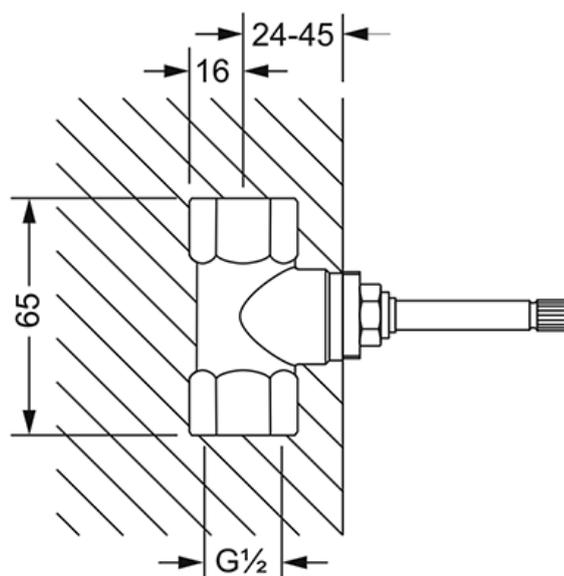
- clockwise closure
- ceramic discs 1/2"
- flow rate 17 l/min at 3 bar



Einbaukörper 1/2"

649.20.356.000
Concealed wall valve 1/2", body

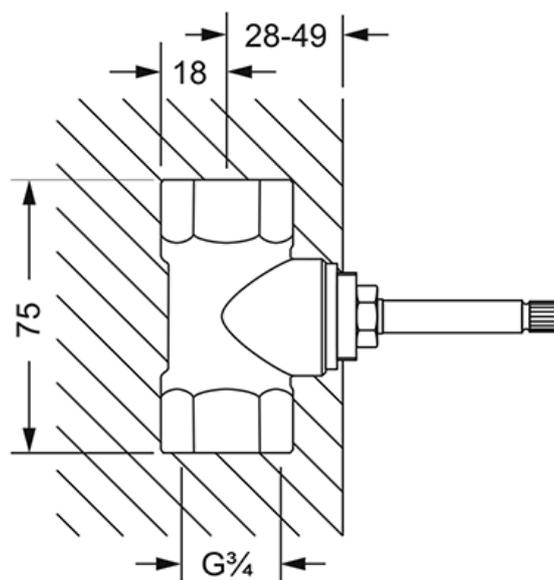
- counter-clockwise closure
- ceramic discs 1/2"
- flow rate 17 l/min at 3 bar



Einbaukörper 1/2"

649.20.451.000
Concealed wall valve $\frac{3}{4}$ ", body

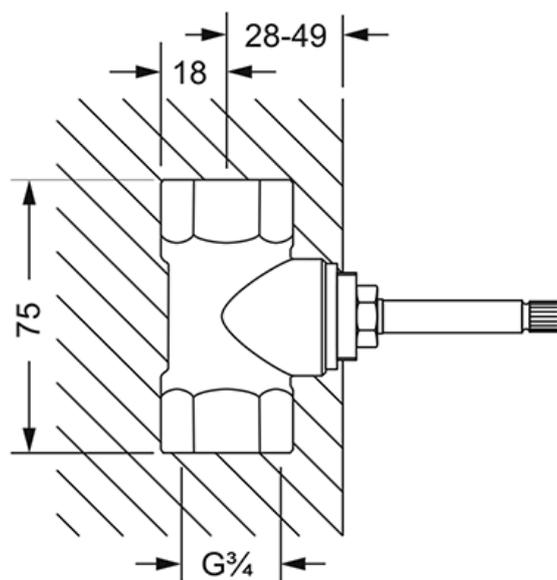
- clockwise closure
- ceramic discs $\frac{3}{4}$ "
- flow rate 21 l/min at 3 bar



Einbaukörper $\frac{3}{4}$ "

649.20.456.000
Concealed wall valve $\frac{3}{4}$ ", body

- counter-clockwise closure
- ceramic discs $\frac{3}{4}$ "
- flow rate 21 l/min at 3 bar

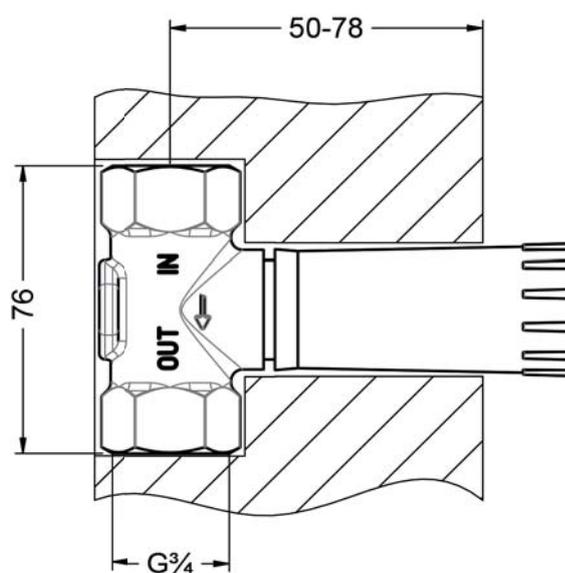
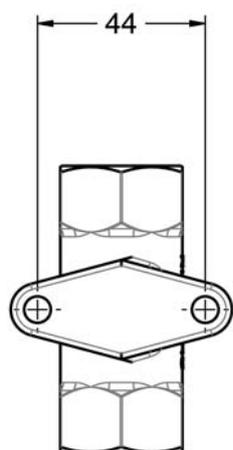


Einbaukörper $\frac{3}{4}$ "

649.20.410.000
Concealed wall valve $\frac{3}{4}$ ", body



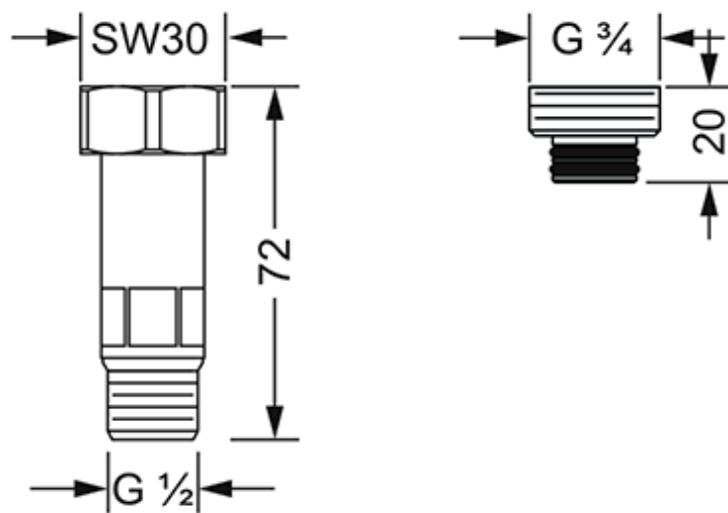
- with ceramic discs
- 1 inlet $\frac{3}{4}$ ", 1 outlet $\frac{3}{4}$ "
- installation depth min. 50 mm, max. 78 mm
- extension possible. Order number 649.20.551.000
- flow rate 60 l/min at 3 bar



649.20.612.000
Connection adapter 1/2"



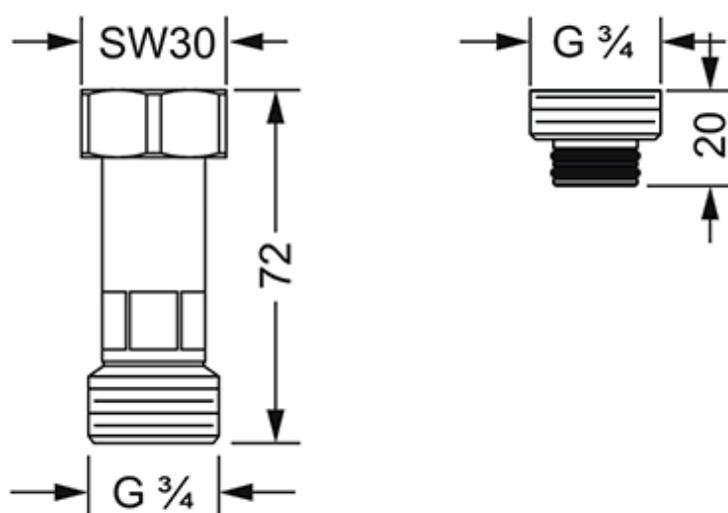
- connection adapter, end plug
- for connection 649.20.610.000, 649.20.620.000, 649.20.630.000
matching for wall box 649.40.360.000



649.20.634.000
Connection adapter 3/4"



- connection adapter, end plug
- for connection 649.20.610.000, 649.20.620.000, 649.20.630.000 with thermostat body 649.40.555.000



649.20.610.000

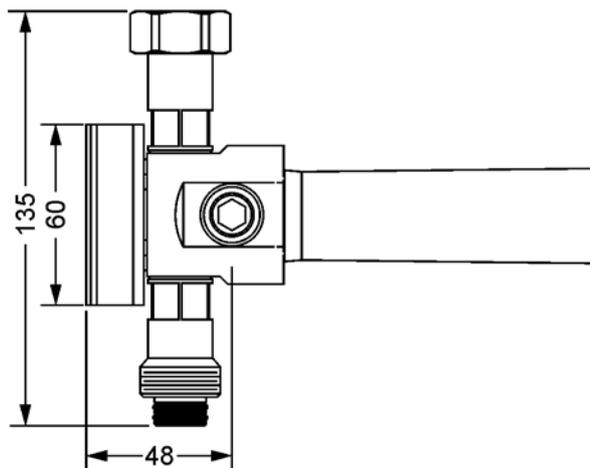
Concealed wall-valve-modul, single



- 2 outlets ½", each 1x right/left possible, simultaneously usable
- the module can be used as a water outlet in the installation and can be extended by the desired number of valves
- the module is supplied with brackets for wall mounting
- flow rate with ½" thermostat ø 27,6 l/min at 3 bar
- flow rate with ¾" thermostat ø 39,2 l/min at 3 bar

For the connection to the concealed part of the thermostat is required:

- **649.20.612.000** | adapter ½" or
- **649.20.634.000** | adapter ¾"



649.20.620.000

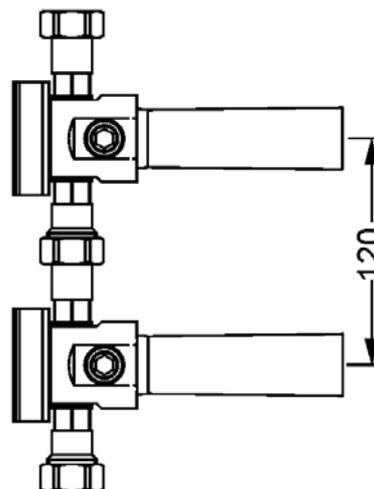
Concealed wall-valve-modul, double



- 4 outlets ½", each 2x right/left possible, simultaneously usable
- precise assembly due to composite
- the module can be used as a water outlet in the installation and can be extended by the desired number of valves
- the module is supplied with brackets for wall mounting
- flow rate with ½" thermostat ø 32,6 l/min at 3 bar
- flow rate with ¾" thermostat ø 52,7 l/min at 3 bar

For the connection to the concealed part of the thermostat is required:

- **649.20.612.000** | adapter ½" or
- **649.20.634.000** | adapter ¾"



649.20.630.000

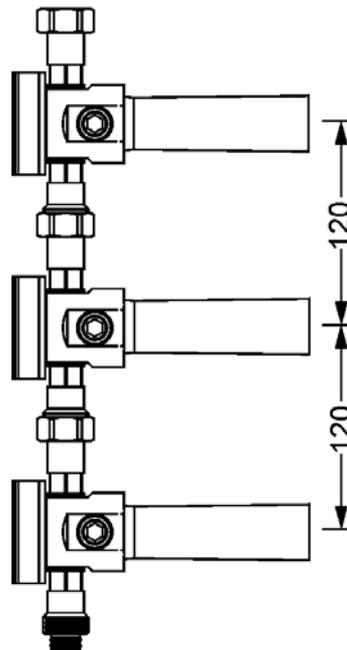
Concealed wall-valve-modul, triple



- 6 outlets 1/2", each 3x right/left possible, simultaneously usable
- precise assembly due to composite
- the module can be used as a water outlet in the installation and can be extended by the desired number of valves
- the module is supplied with brackets for wall mounting
- flow rate with 1/2" thermostat \varnothing 33 l/min at 3 bar
- flow rate with 3/4" thermostat \varnothing 55,5 l/min at 3 bar

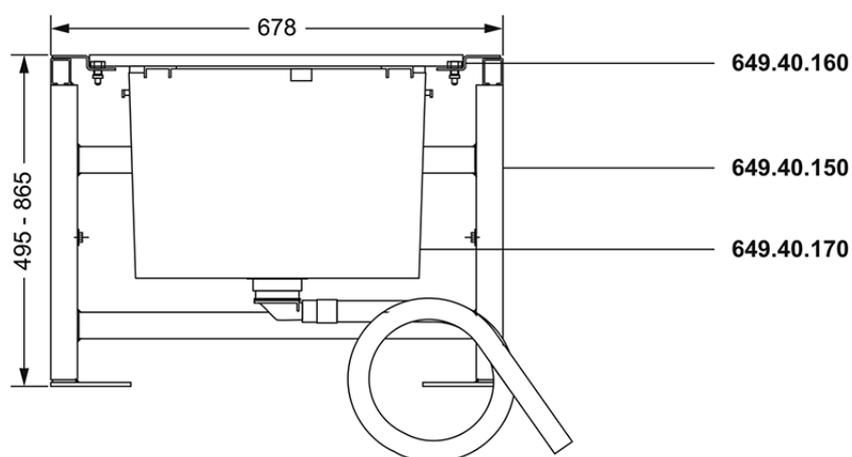
For the connection to the concealed part of the thermostat is required:

- 649.20.612.000 | adapter 1/2" or
- 649.20.634.000 | adapter 3/4"



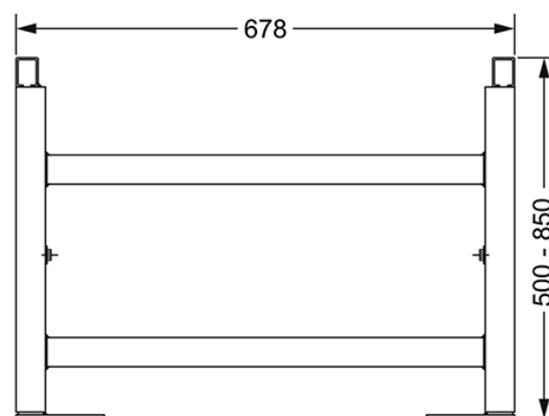
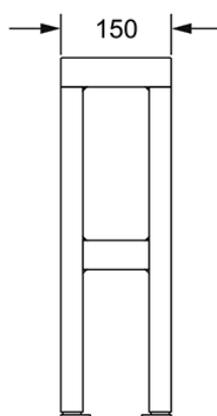
649.40.140.000
Assembly system, complete

- for tub rim installation for 3-hole and 4-hole taps
- consisting of 649.40.150.000, 649.40.160.000 and 649.40.170.000



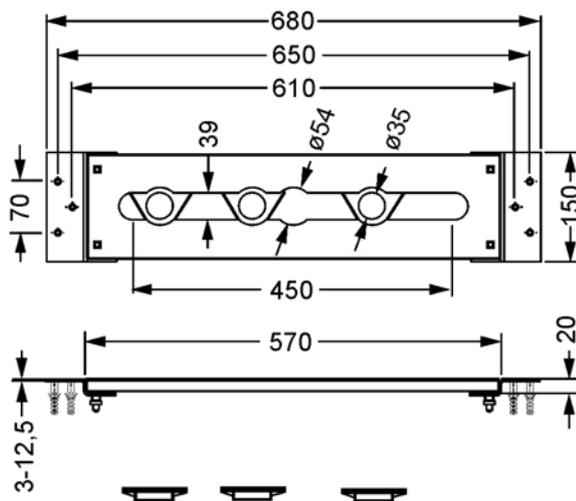
649.40.150.000
Assembly bloc support system

- self-supporting, free standing
- support system
- suitable for dry cladding
- adjustable in height: 500 - 850 mm



649.40.160.000
Assembly plate module

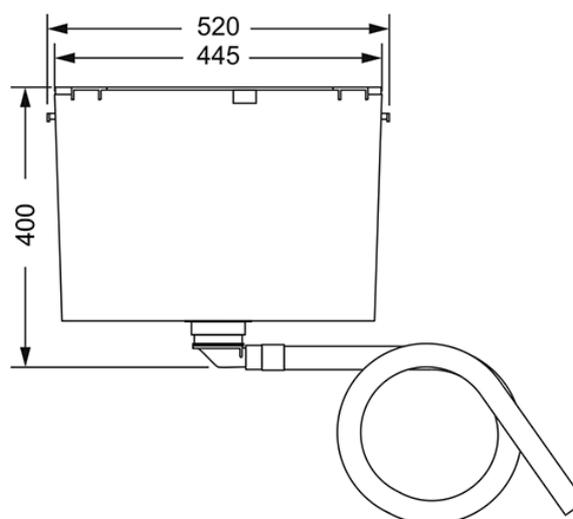
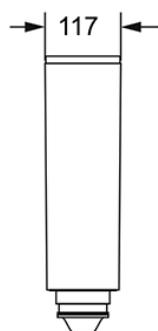
- installation under tiles or bath rim
- dimensions 680 x 150 mm
- complete metal plate with mounting elements
- recommended hose box system 649.40.150.000, 649.40.170.000



649.40.170.000
Hose box with drain pipe



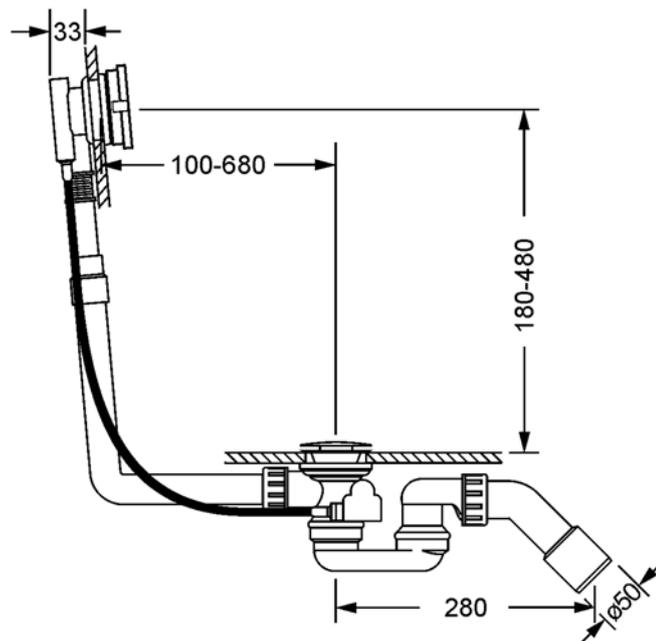
- for solid walls or support systems
- rotating central drain pipe
- flexible drain pipe branch
- non return trap



649.15.212.000
Waste and overflow set built-in element



- bowden cable 1070 mm
- including odor seal
- outlet 40/50 mm

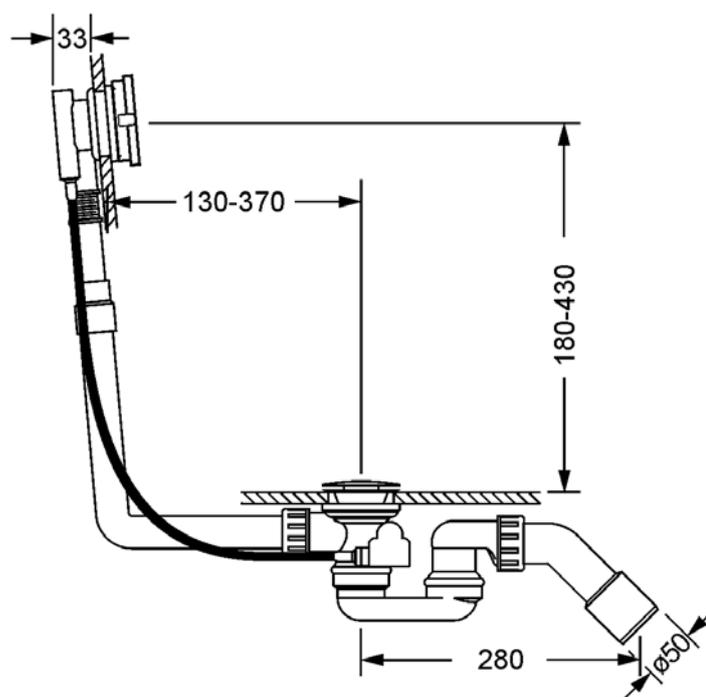


649.15.222.000

Waste and overflow set built-in element

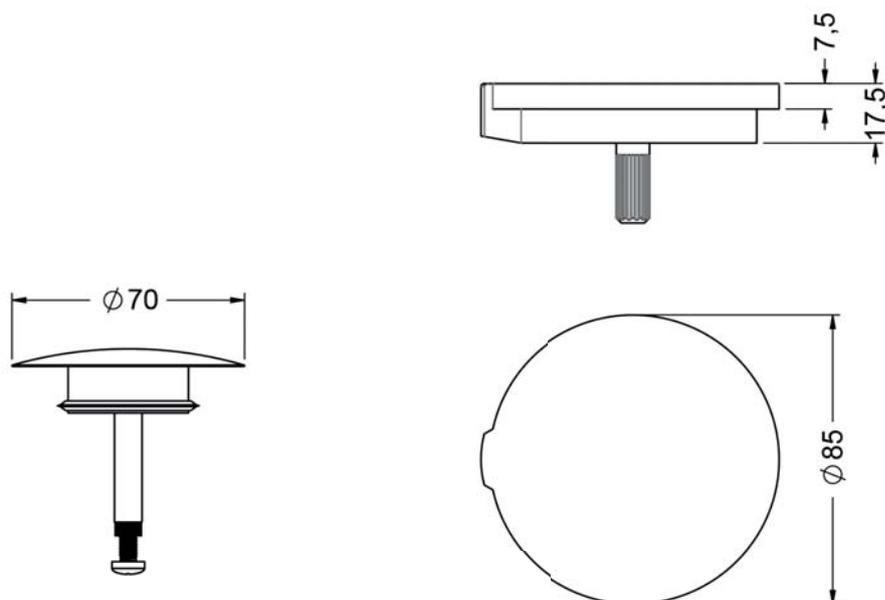


- bowden cable 725 mm
- including odor seal
- outlet 40/50 mm



649.50.210.xxx
Assembly set

· for built-in element 649.15.212.000 and 649.15.222.000

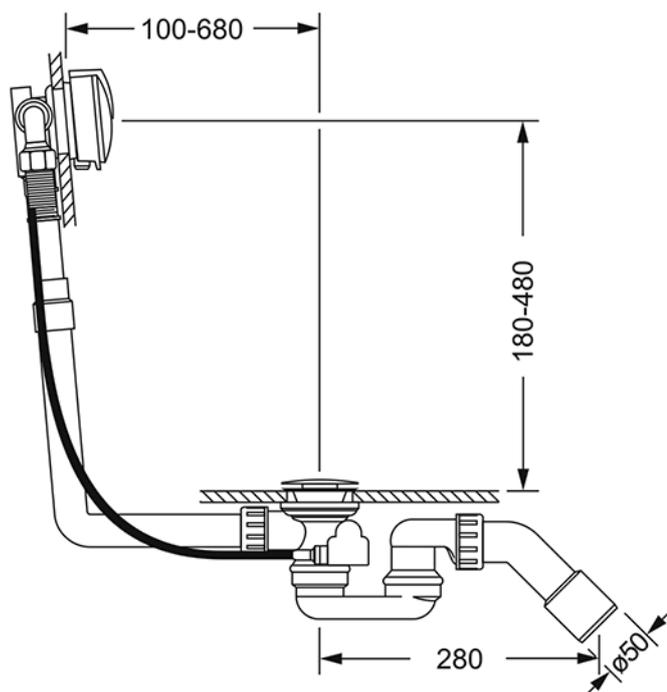


649.15.214.000

Bathtub filler with waste and overflow set, built-in element



- bowden cable 1070 mm
- including odor seal
- outlet 40/50 mm

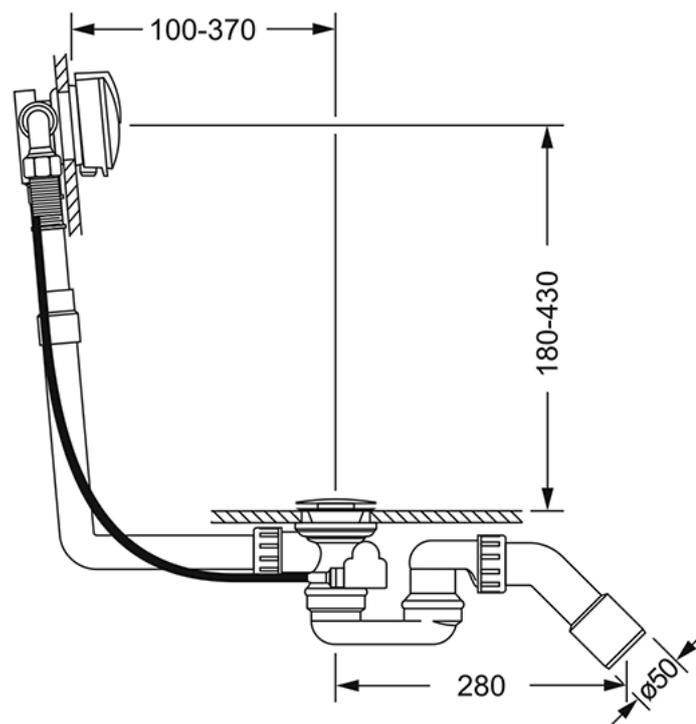


649.15.224.000

Bathtub filler with waste and overflow set, built-in element

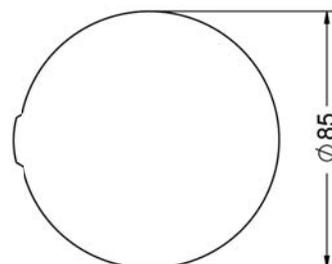
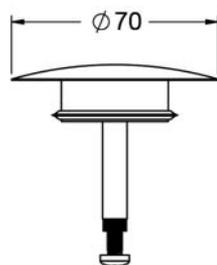
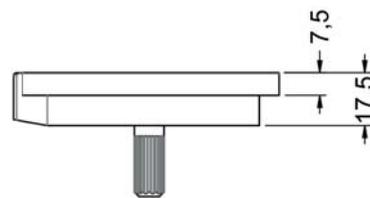
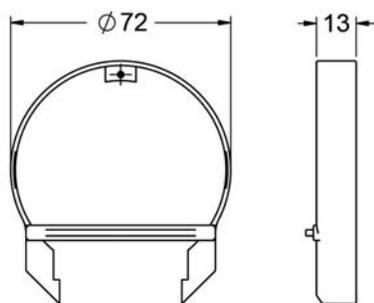


- bowden cable 725 mm
- including odor seal
- outlet 40/50 mm



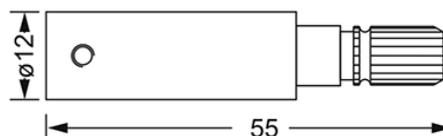
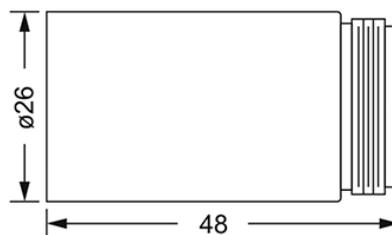
649.50.214.xxx
Assembly set

· for built-in element 649.15.214.000 and 649.15.224.000



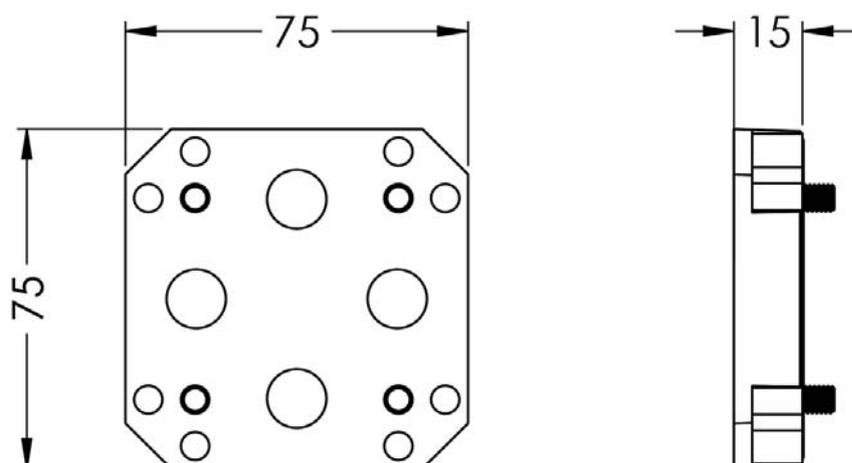
649.20.550.xxx
Extension set, 38 mm

- for concealed wall valves
- for concealed 3-position diverter



649.41.360.000
Extension set, 15 mm

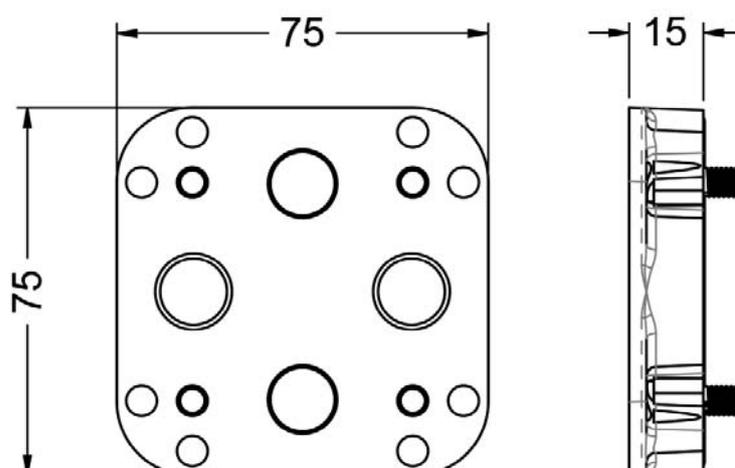
- for concealed wall box ½" (649.40.360.000)
- maximum 2 sets corresponding to 30 mm extension may be installed



848.14.184.000
Alternation Adapter

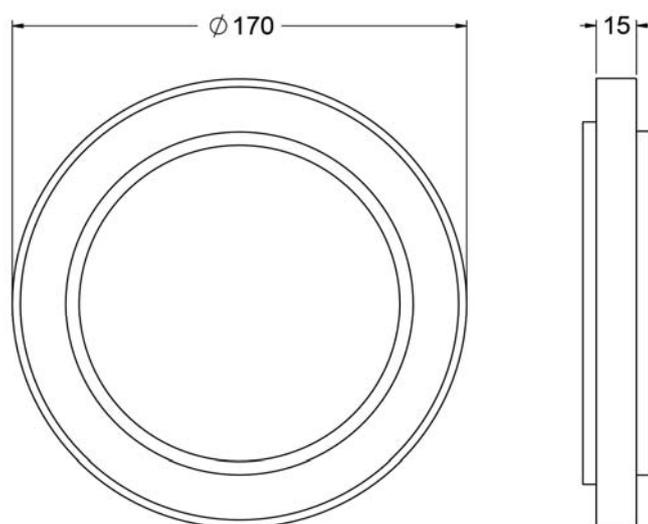


- to switch the water inlets cold and warm
 - suitable for concealed box 649.40.360.000
 - the adapter is inserted between the base plate and the functional unit and builds up by 15 mm
 - it is also possible to switch the top/bottom outlets
-



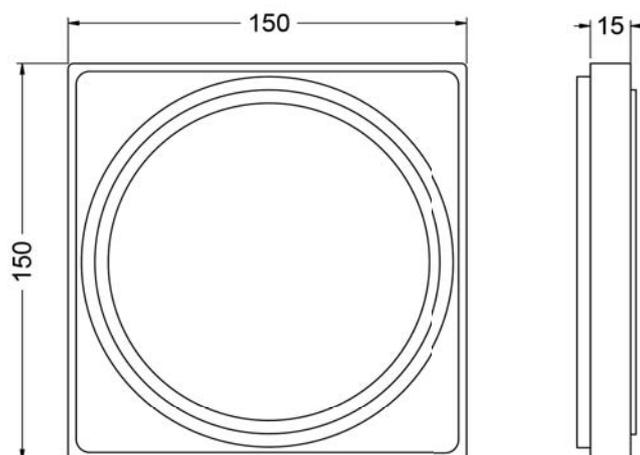
848.14.191.xxx
Distance adapter, 15 mm

- for too flat installation
- matching to concealed box 649.40.360.000
- for round cover plates (ø170 mm)



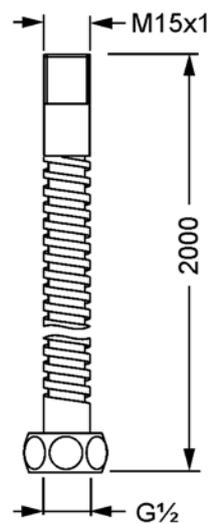
848.14.192.xxx
Distance adapter, 15 mm

- for too flat installation
- matching to concealed box 649.40.360.000
- for square cover plates (150 x 150)



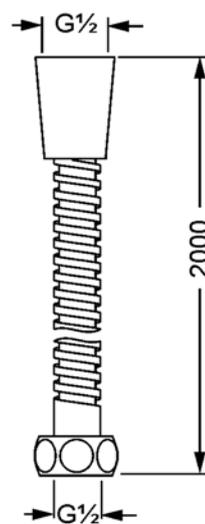
649.13.342.xxx
Metal shower hose, 2000 mm

- connections: M 15x1 x 1/2"
- for tub/shower mixer deck mounted



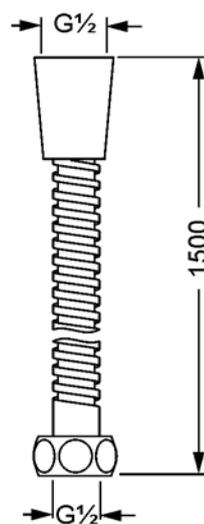
649.13.343.xxx
Metal shower hose, 2000 mm

· connections: 1/2" conical x 1/2"



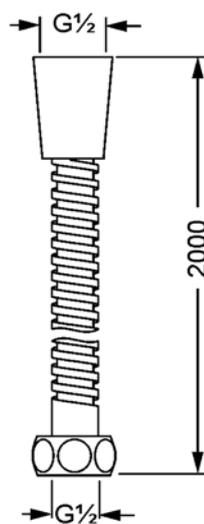
649.13.345.xxx
Metal shower hose, 1500 mm

· connections: 1/2" conical x 1/2"



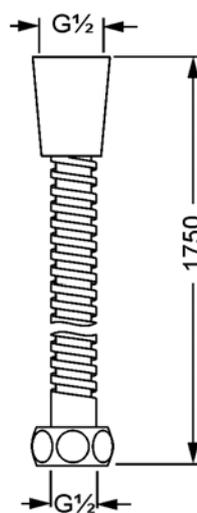
649.13.346.xxx
Metal shower hose, 1500 mm

· connections: 1/2" conical x 3/4"



649.13.349.xxx
Metal shower hose, 1750 mm

· connections: 1/2" conical x 1/2"



649.13.351.xxx
Metal shower hose, 1250 mm

· connections: 1/2" conical x 1/2"

