

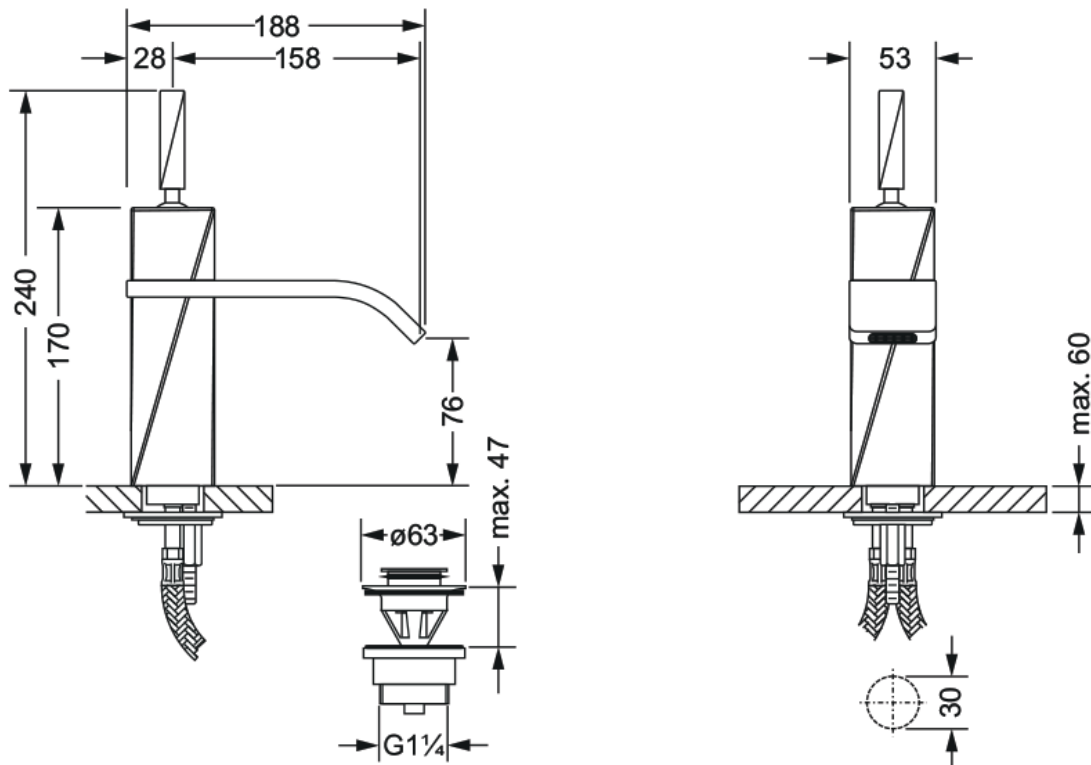
TURN

623.10.333.xxx

Single lever washbasin mixer 1/2"



- spout projection 158 mm
- height 240 mm
- fixed spout
- aerator 28x7
- cartridge with ceramic discs 1/2"
- push-open waste 1 1/4"
- 2 pressure hoses M10x1 x ø10 x 450 mm



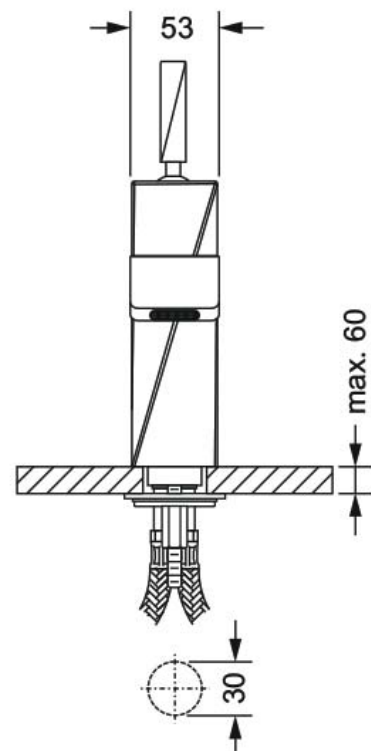
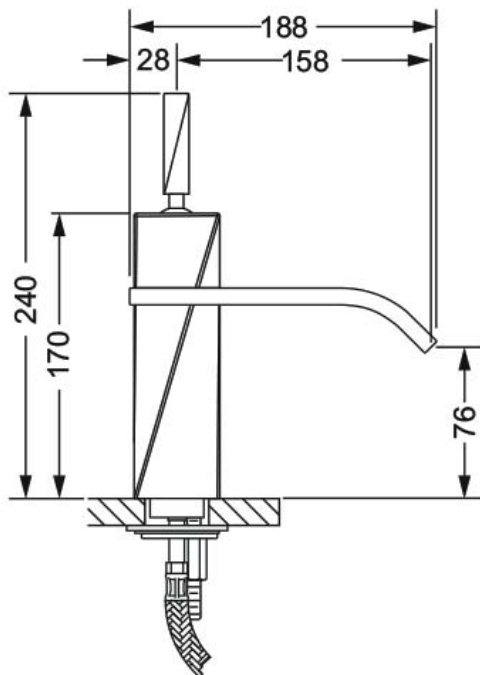
TURN

623.10.334.xxx

Single lever washbasin mixer 1/2"



- spout projection 158 mm
- height 240 mm
- fixed spout
- aerator 28x7
- cartridge with ceramic discs 1/2"
- without waste
- 2 pressure hoses M10x1 x ø10 x 450 mm



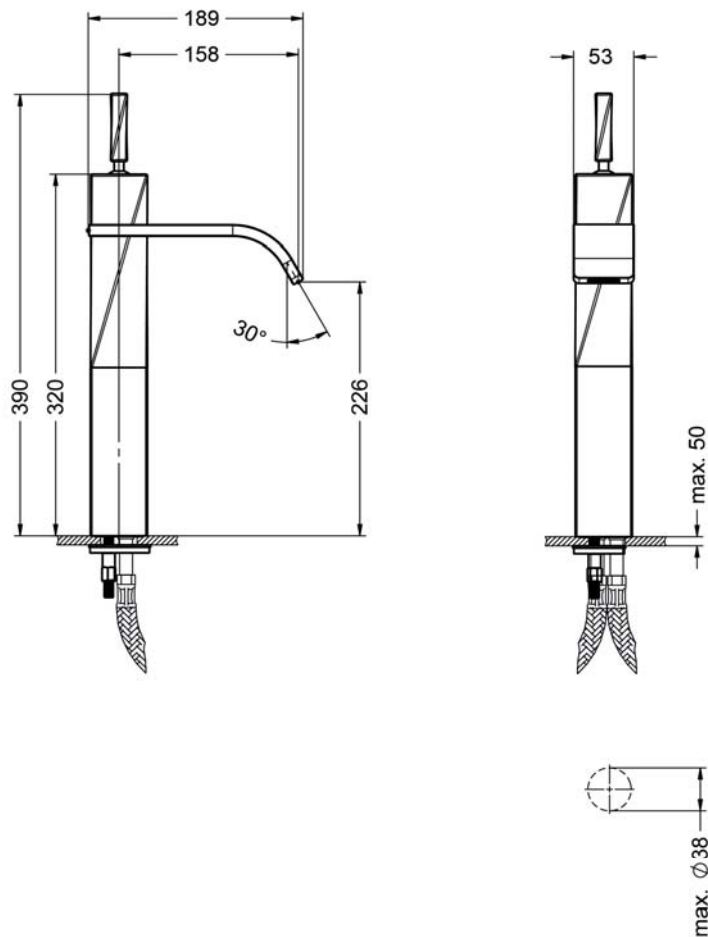
TURN

623.10.332.xxx

Single lever washbasin mixer 1/2", XXL



- with body extension 150 mm
- spout projection 158 mm
- total height 390 mm
- fixed spout
- aerator M28 x 7
- without waste
- cartridge with ceramic discs 1/2"
- 2 pressure hoses M10x1 x 600 mm



TURN

623.20.360.xxx

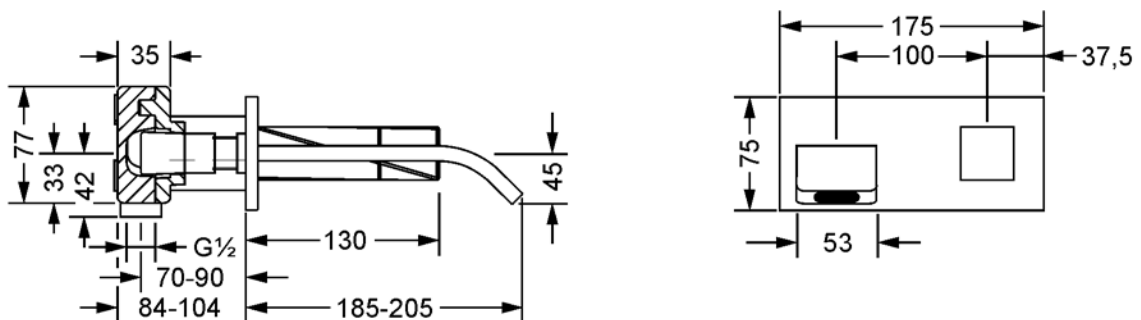
Single lever wall washbasin mixer, assembly set 1/2"



- wall mounting
- projection 185-205 mm
- wall spout
- aerator 28x7
- progressive 180° cartridge
- escutcheon

Required:

- **649.20.370.000** | Single lever wall washbasin mixer 1/2", concealed body

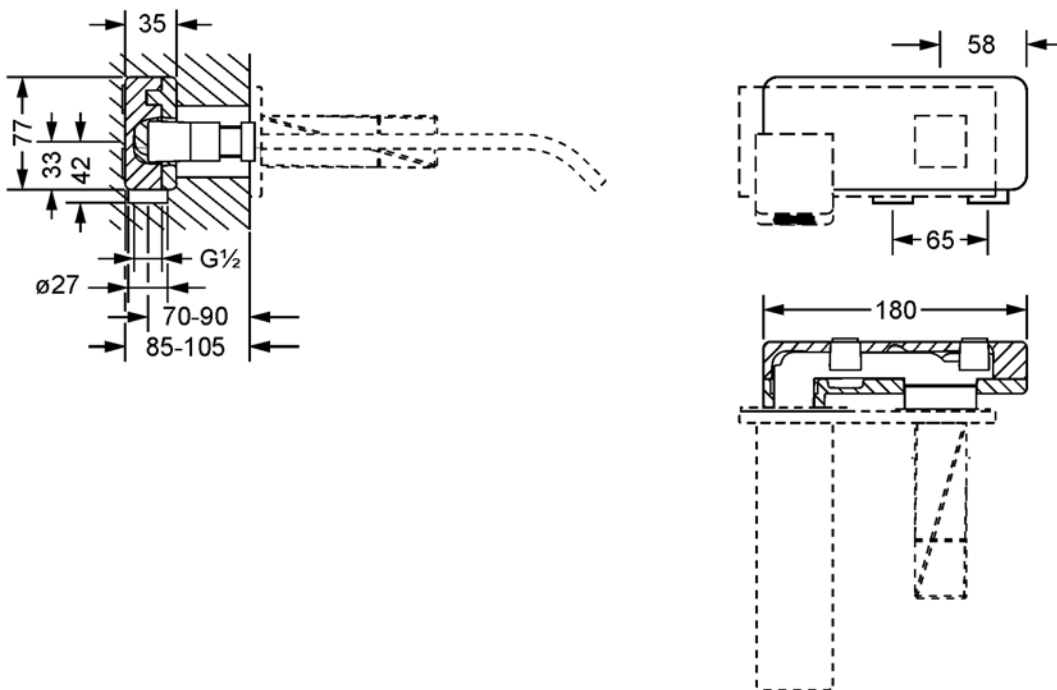


TURN

649.20.370.000

Single lever wall washbasin mixer ½", concealed body

- for assembly set XXX.20.360.xxx
- Ceramic cartridge with 180° angle of rotation, shutoff and continuous temperature control



TURN

623.20.366.xxx

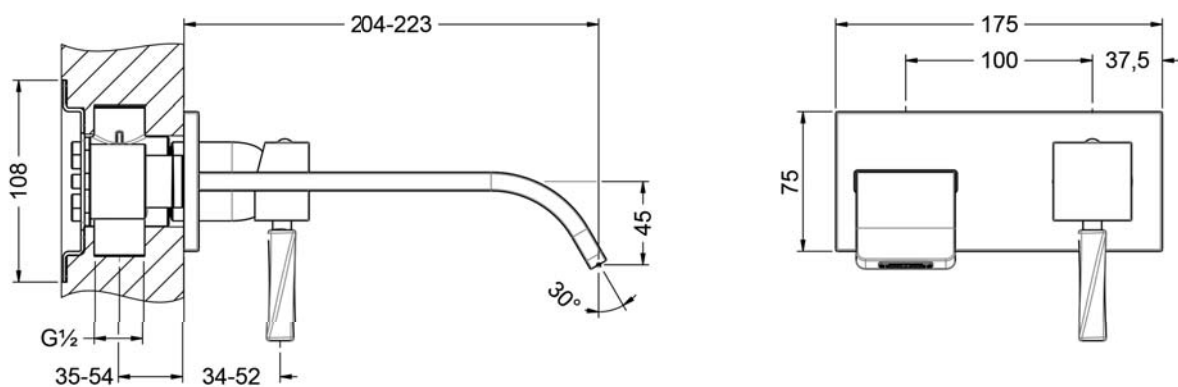
Single lever wall washbasin mixer 1/2"



- wall mounting
- wall spout
- projection 209-223 mm
- aerator 28x7
- cartridges with ceramic discs 1/2"
- escutcheon

Required:

- **649.20.362.000** | Single lever wall washbasin mixer 1/2", concealed body

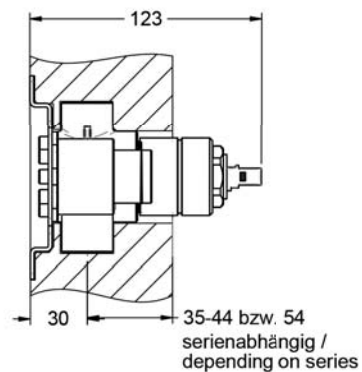
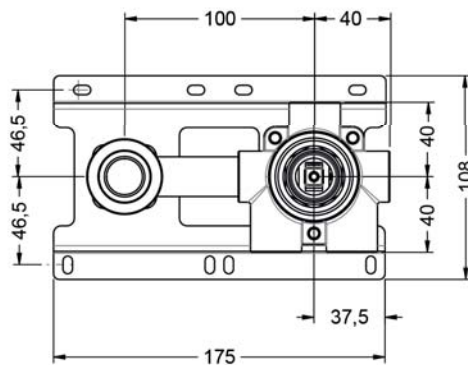
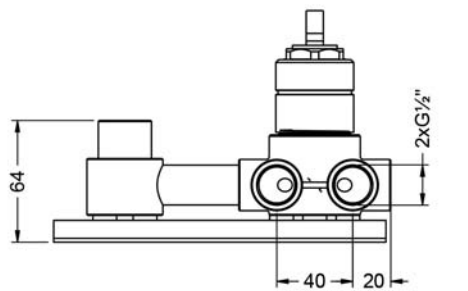


TURN

649.20.362.000

Single lever wall washbasin mixer 1/2", concealed body

- control lever on the right
- single handle operation
- for assembly set XXX.20.360.xxx and XXX.20.365.xxx
- cartridge with ceramic discs 1/2"



TURN

623.30.360.xxx

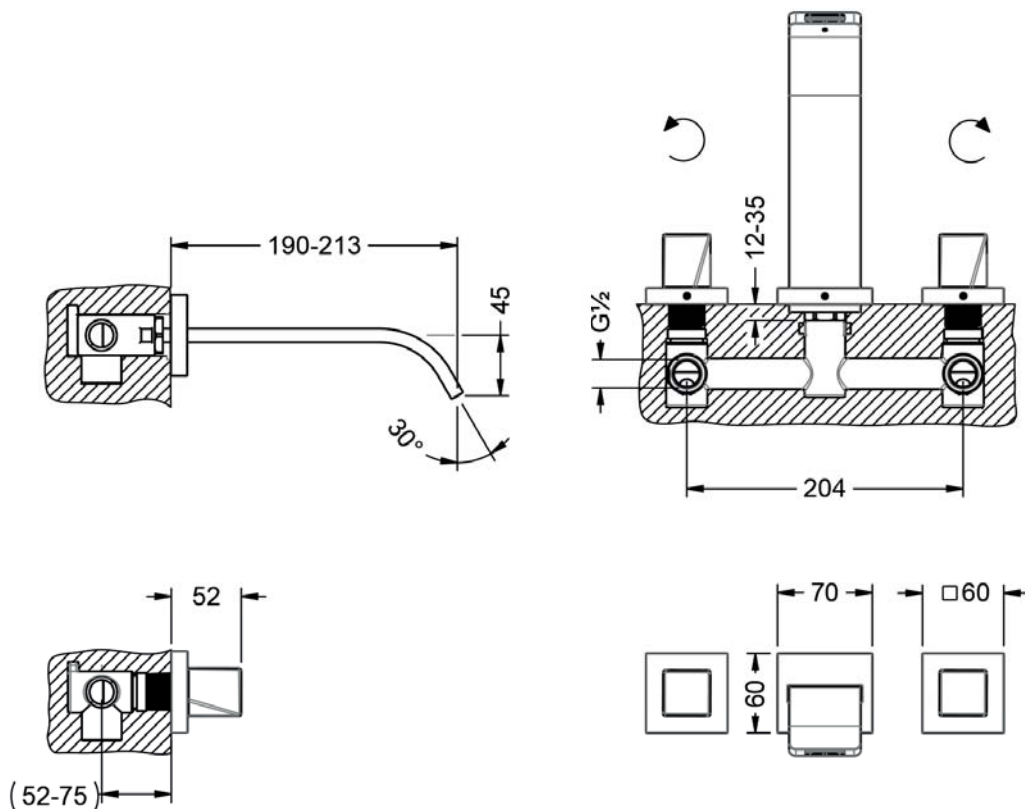
Wall washbasin 3-hole mixer, assembly set 1/2"



- wall mounting
- wall spout
- projection 190-213 mm
- aerator 28 x 7
- design handle, socket with adjustable, escutcheon
- cartridges with ceramic discs 1/2"

Required:

- **649.30.380.000** | Wall washbasin 3-hole mixer 1/2", concealed body

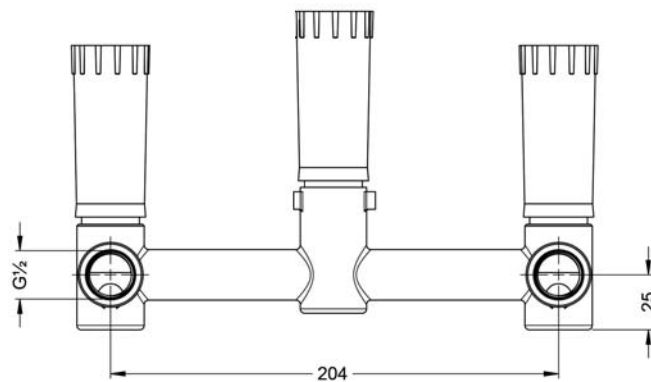
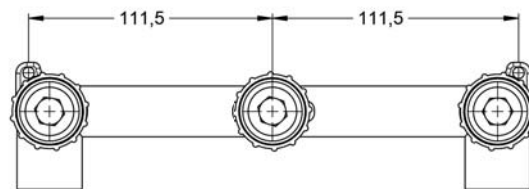
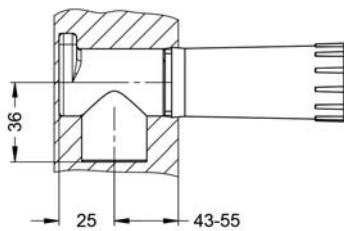


TURN

649.30.380.000

Wall washbasin 3-hole mixer, concealed body 1/2"

- 2 connections 1/2", center distance 204 mm
- for assembly set XXX.30.360.xxx and XXX.30.365.xxx

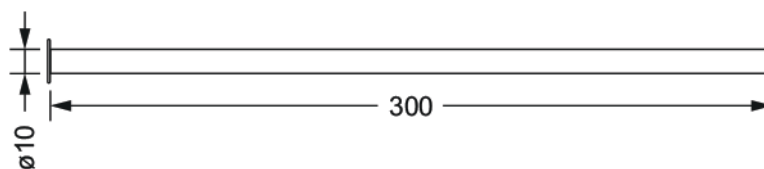


TURN

649.15.530.xxx

Copper tube, 300 mm

- with flange
- for compression joint

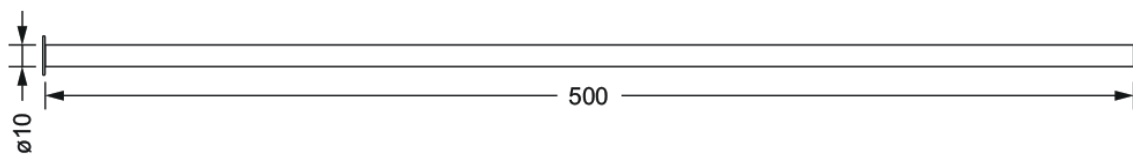


TURN

649.15.550.xxx

Copper tube, 500 mm

- with flange
- for compression joint

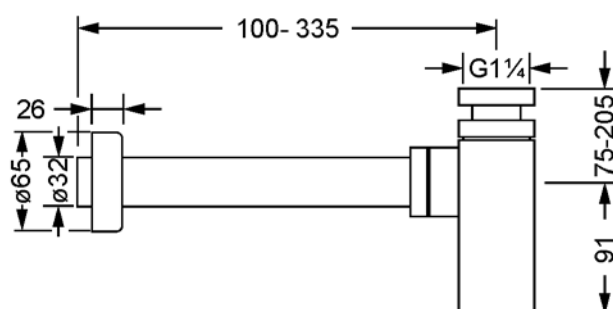


TURN

649.15.380.xxx

Washbasin cupped siphon trap 1 ¼"

- wall mounting
- heavy brass, square design
- escutcheon
- outlet tube \varnothing 32 mm

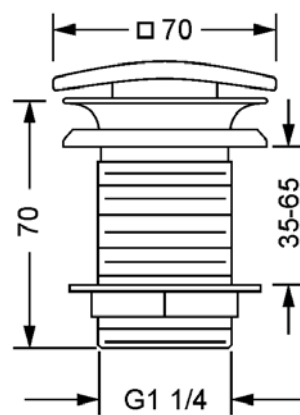


TURN

649.15.290.xxx

Restraint drain/waste 1 1/4"

- length of shaft 70 mm
- for washbasins without overflow



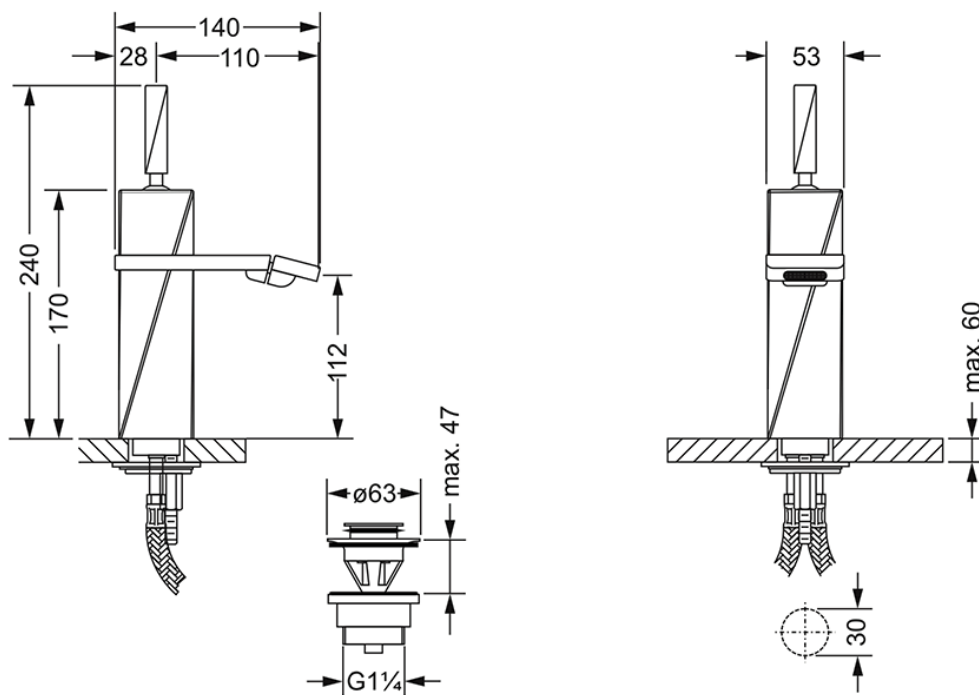
TURN

623.10.111.xxx

Single lever bidet mixer 1/2"



- spout projection 110 mm
- height 240 mm
- fixed spout
- aerator 28x7
- cartridge with ceramic discs 1/2"
- push-open waste 1 1/4"
- 2 pressure hoses M10x1 x ø10 x 450 mm

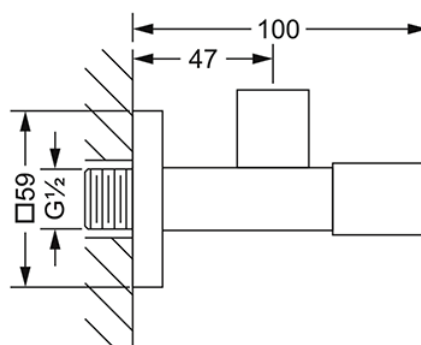


TURN

626.12.100.xxx

Angle valve 1/2"

- wall mounting
- spout projection 100 mm
- cartridge 1/2"
- compression joint 1/2"
- escutcheon



TURN

623.40.100.xxx

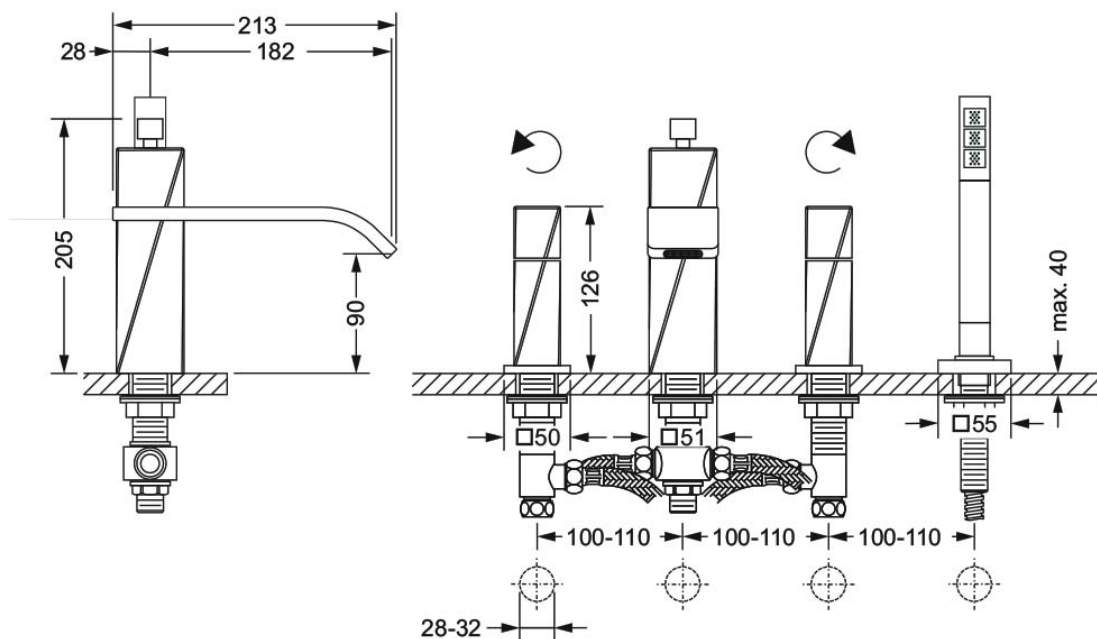
Tub/shower mixer set, deck mount 1/2"



- spout projection 182 mm
- height 205 mm
- aerator 40x10
- fixed spout
- automatic tub/shower diverter
- 2 side valves, ceramic internal upper parts 1/2"
- metal shower hose 2.000 mm
- metal hand shower with anticalcareous system and backflow preventer
- flow rate hand shower 24 l/min at 3 bar

Recommended:

- **649.40.160.000** | Assembly plate, complete



TURN

623.40.150.xxx

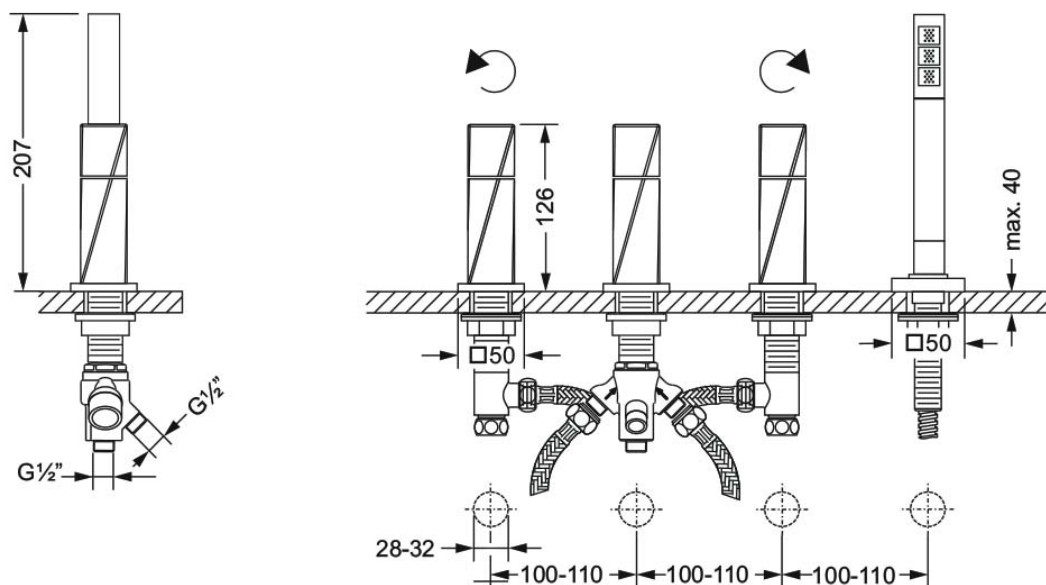
Tub/shower combination 1/2"



- for waste and overflow set with bath tub filler spout, without pipe interrupter
- 2 side valves, ceramic internal upper parts 1/2", 2-position diverter
- metal shower hose 2000 mm
- metal hand shower with anticalcareous system and backflow preventer
- flow rate hand shower 24 l/min at 3 bar

Recommended:

- **649.40.160.000** | Assembly plate, complete

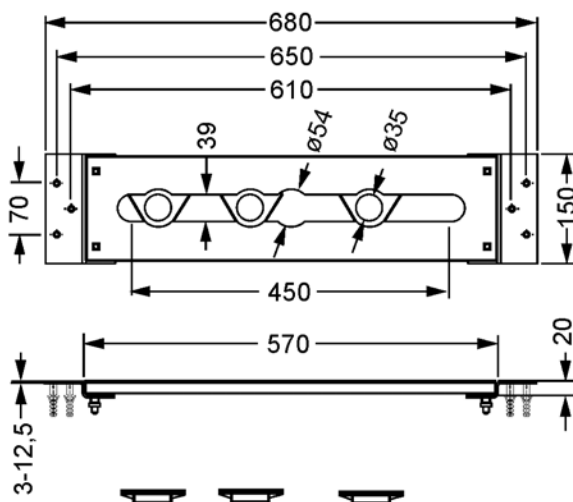


TURN

649.40.160.000

Assembly plate module

- installation under tiles or bath rim
- dimensions 680 x 150 mm
- complete metal plate with mounting elements
- recommended hose box system 649.40.150.000, 649.40.170.000



TURN

623.10.820.xxx

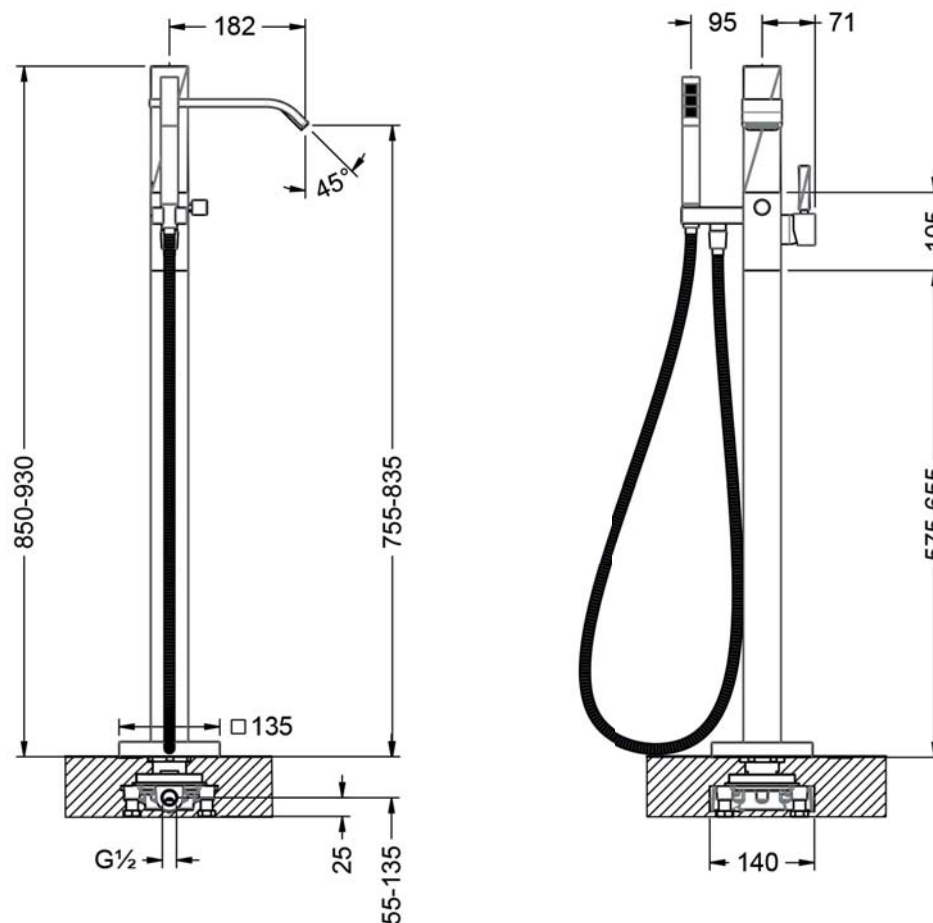
Tub/shower mixer set, assembly set ½"



- free standing assembly
- spout projection 182 mm
- fixed spout
- flow rate of the spout 20 l/min at 3 bar
- tub/shower diverter
- metal hand shower with anticalcareous system and backflow preventer
- flow rate hand shower 24 l/min at 3 bar
- metal shower hose 1500 mm
- pillar tube with flange
- aerator 40x10
- ceramic internal upper part ½"
- height 850 - 930 mm
- outlet height 755 - 835 mm

Required:

- **649.10.970.000** | Assembly set for pre-installation



TURN

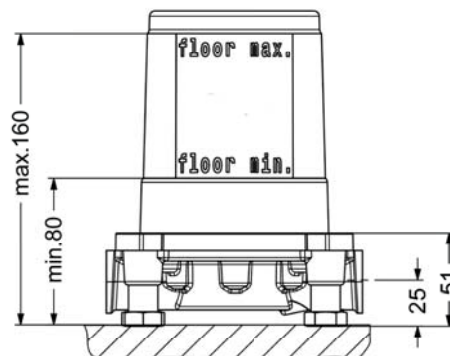
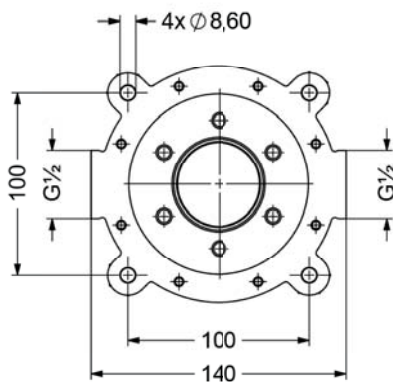
649.10.970.000

Assembly set for pre-installation



- adjustable to accommodate uneven floors
- mud guard with min/max floor depth
- rough can be installed and rotated to fit pipes
- trim can be rotated 360 degrees

To order a complete unit, please order the concealed wall box with an assembly set.



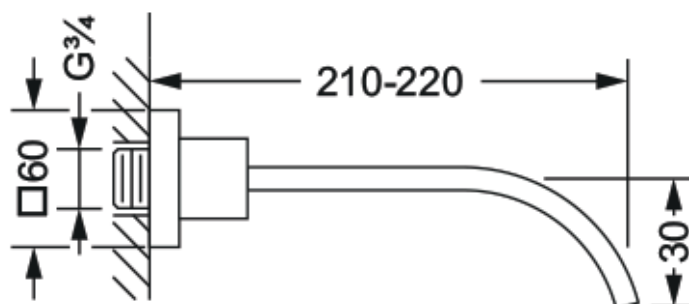
TURN

626.11.100.xxx

Tub wall spout 3/4"



- wall mounting
- spout projection 210-220 mm
- fixed spout
- without aerator
- special concealed wall attachment



TURN

623.20.125.xxx

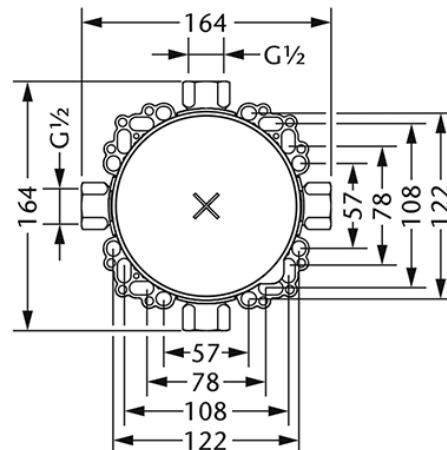
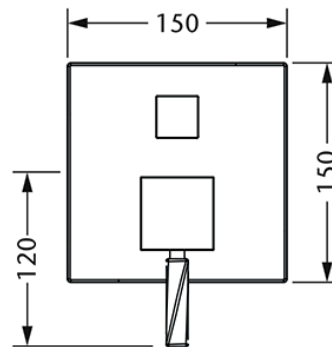
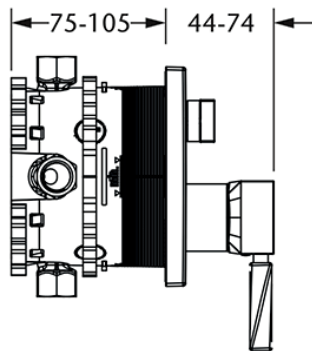
Concealed single lever wall tub and shower mixer, assembly set 1/2"



- manual two way diverter with ceramic cartridge for pressure-independent function
- with safety device
- functional unit with diverter
- flow rate 21 l/min at 3 bar

Required:

- **649.40.360.000** | Concealed wall box 1/2"



TURN

623.20.135.xxx

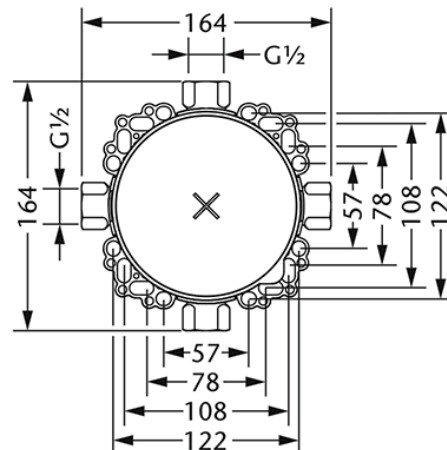
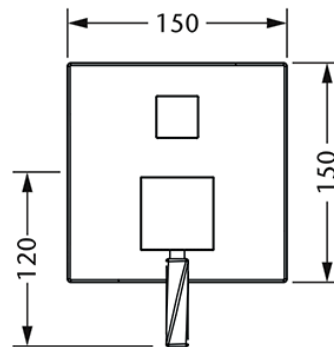
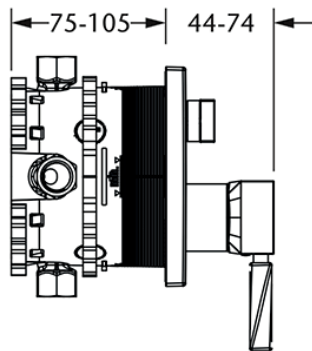
Concealed single lever wall tub and shower mixer, assembly set 1/2"



- manual two way diverter with ceramic cartridge for pressure-independent function
- without safety device
- functional unit with diverter
- flow rate 21 l/min at 3 bar

Required:

- **649.40.360.000** | Concealed wall box 1/2"



TURN

623.20.235.xxx

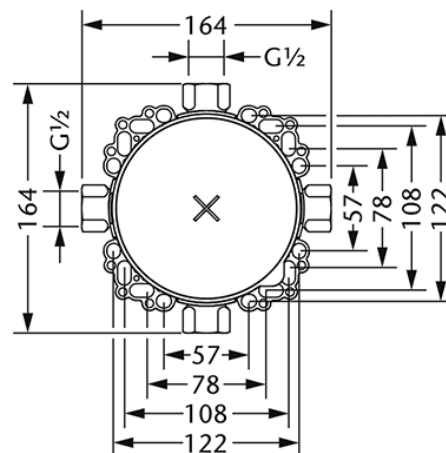
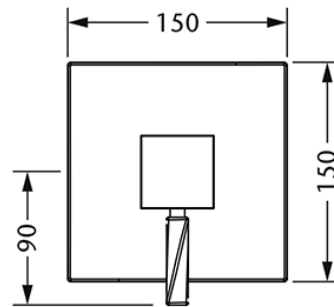
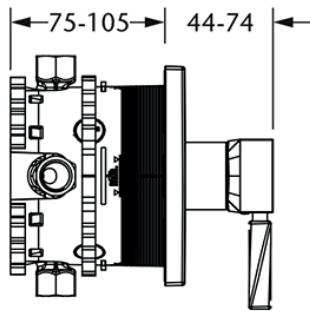
Concealed single lever shower mixer, assembly set 1/2"



- functional unit with ceramic discs
- without diverter
- flow rate 20,4 l/min at 3 bar

Required:

- **649.40.360.000** | Concealed wall box 1/2"



TURN

626.40.360.xxx

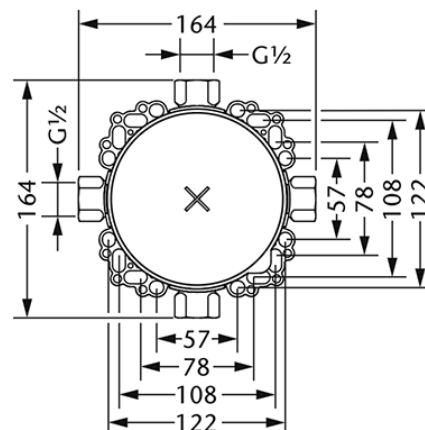
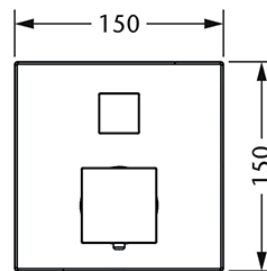
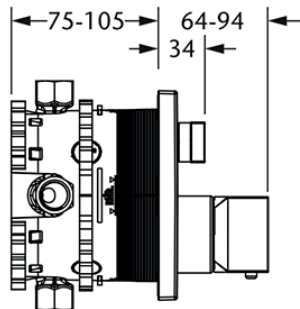
Concealed wall thermostat with flow control, assembly set 1/2"



- without diverter
- with integrated ceramic cartridge for volume control
- flow rate 20,4 l/min at 3 bar

Required:

- **649.40.360.000** | Concealed wall box 1/2"



TURN

626.40.380.xxx

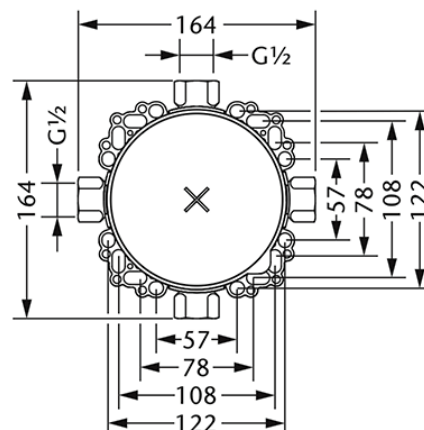
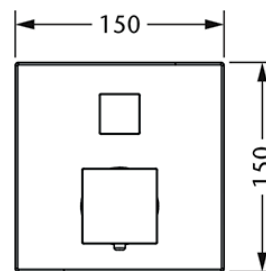
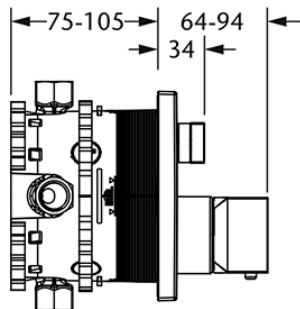
Concealed wall thermostat with flow control, assembly set 1/2"



- manual two way diverter with ceramic cartridge for pressure-independent function
- with integrated volume control
- with safety device
- flow rate 20,4 l/min at 3 bar

Required:

- **649.40.360.000** | Concealed wall box 1/2"



TURN

626.40.460.xxx

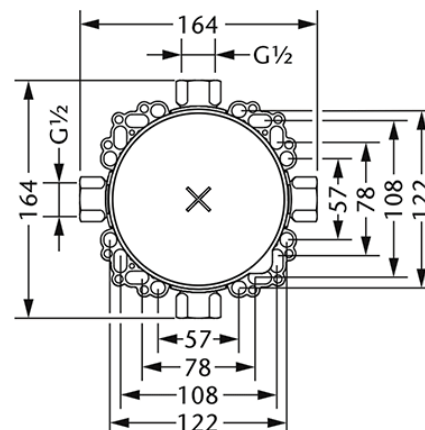
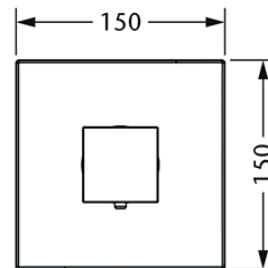
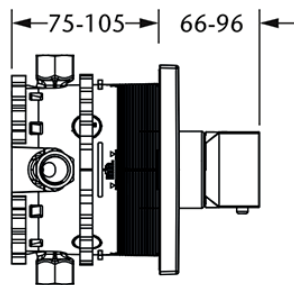
Concealed wall thermostat without flow control, assembly set 1/2"



- functional unit without diverter
- without shut-off
- without flow control
- flow rate 28,5 l/min at 3 bar

Required:

- **649.40.360.000** | Concealed wall box 1/2"



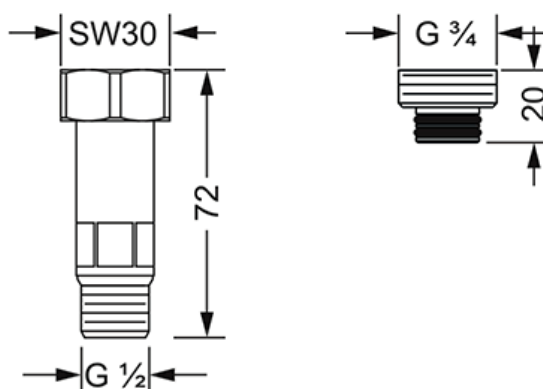
TURN

649.20.612.000

Connection adapter 1/2"



- connection adapter, end plug
- for connection 649.20.610.000, 649.20.620.000, 649.20.630.000 matching for wall box 649.40.360.000



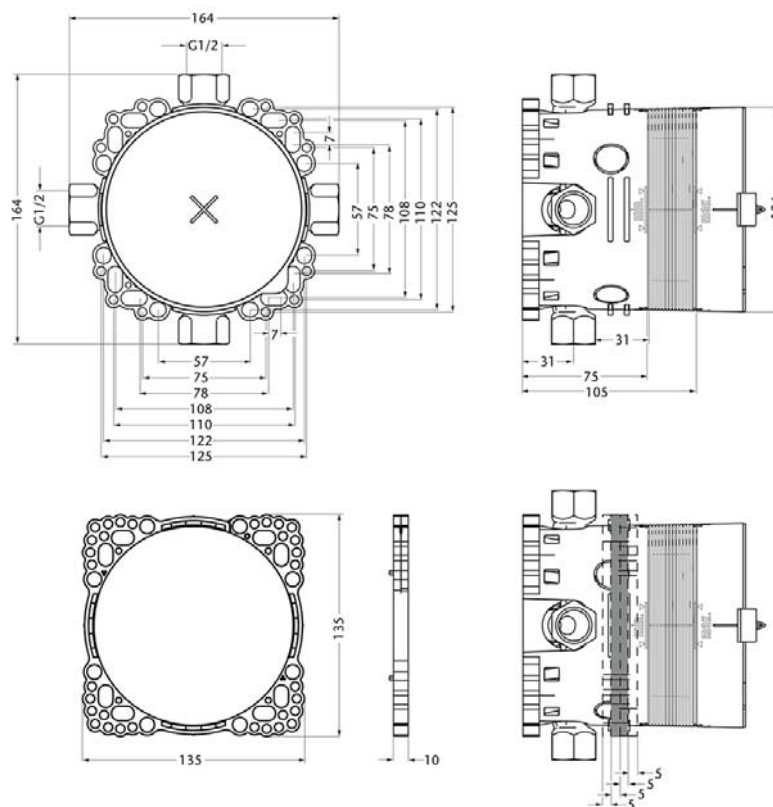
TURN

649.40.360.000

Concealed wall box 1/2"

- for installing concealed wall thermostats 1/2"
- for wetwall and drywall construction

To order a complete unit, please order the concealed wall box with an assembly set.



TURN

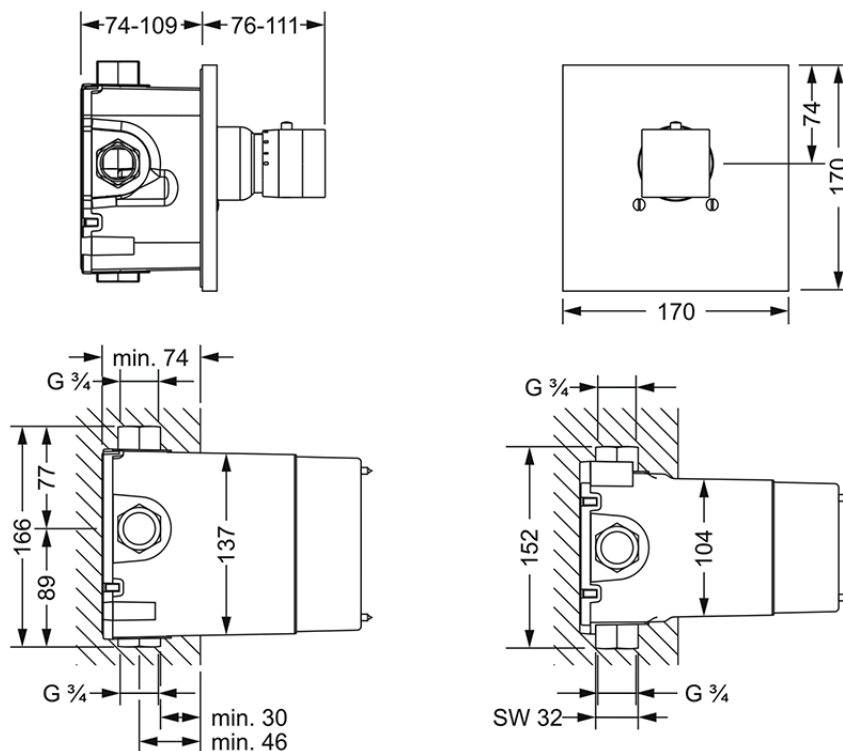
626.40.555.xxx

Concealed wall thermostat without flow control, assembly set $\frac{3}{4}$ "

- without diverter
- design handle for temperature control
- locking device at 38 °C
- flow rate 64,2 l/min at 3 bar

Required:

- **649.40.555.000** | Concealed thermostat body $\frac{3}{4}$ "



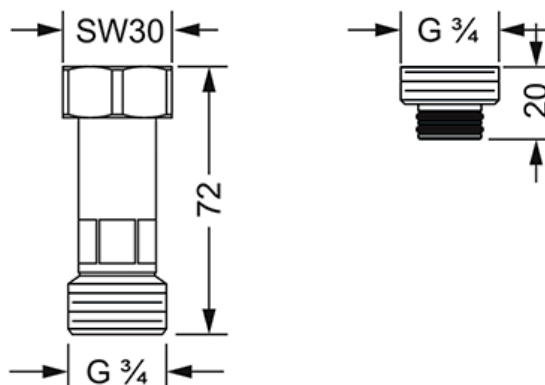
TURN

649.20.634.000

Connection adapter $\frac{3}{4}$ "



- connection adapter, end plug
- for connection 649.20.610.000, 649.20.620.000, 649.20.630.000 with thermostat body 649.40.555.000

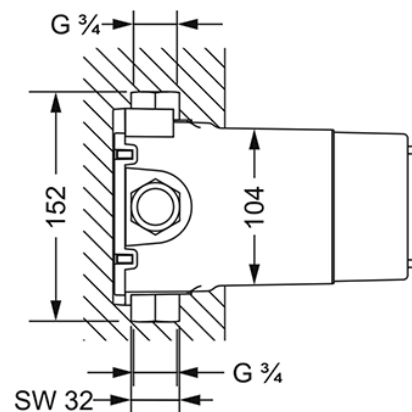
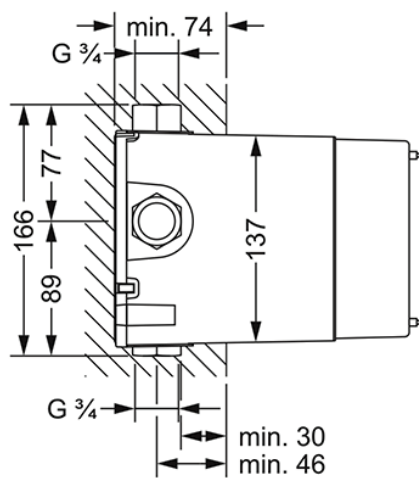


TURN

649.40.555.000

Concealed thermostat body $\frac{3}{4}$ "

- for assembly set XXX.40.555.xxx
- cartridge with filter screens
- for wetwall and drywall construction
- without shut-off
- flow rate 64,2 l/min at 3 bar



TURN

626.40.520.xxx

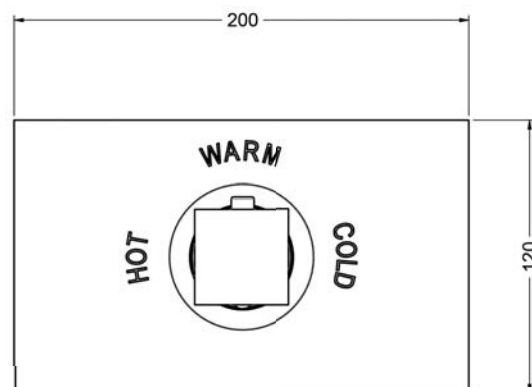
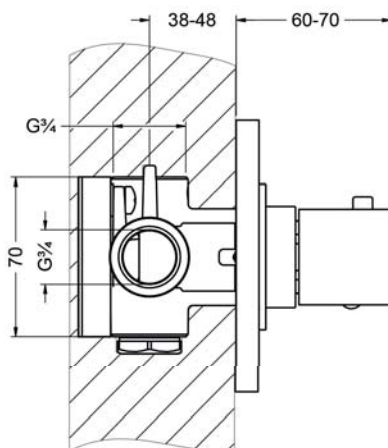
Concealed wall thermostat without flow control, assembly set $\frac{3}{4}$ "

- without diverter
- design handle for temperature control
- locking device at 38 °C
- flow rate 41 l/min at 3 bar



Required:

- **649.40.520.000** | Concealed thermostat body $\frac{3}{4}$ "



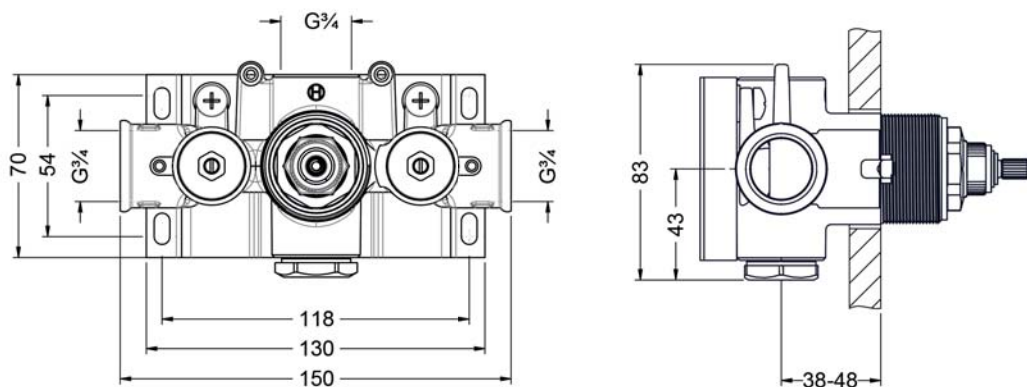
TURN

649.40.520.000

Concealed thermostat body $\frac{3}{4}$ "



- for assembly set XXX.40.520.xxx
- flow rate 41 l/min at 3 bar
- cartridge with filter screens
- for wetwall and drywall construction
- without shut-off
- fast thermal element shut-down in case of cold water loss, fast response time to reduce hot and cold spikes
- complete with mud guard for installation



TURN

623.40.650.xxx

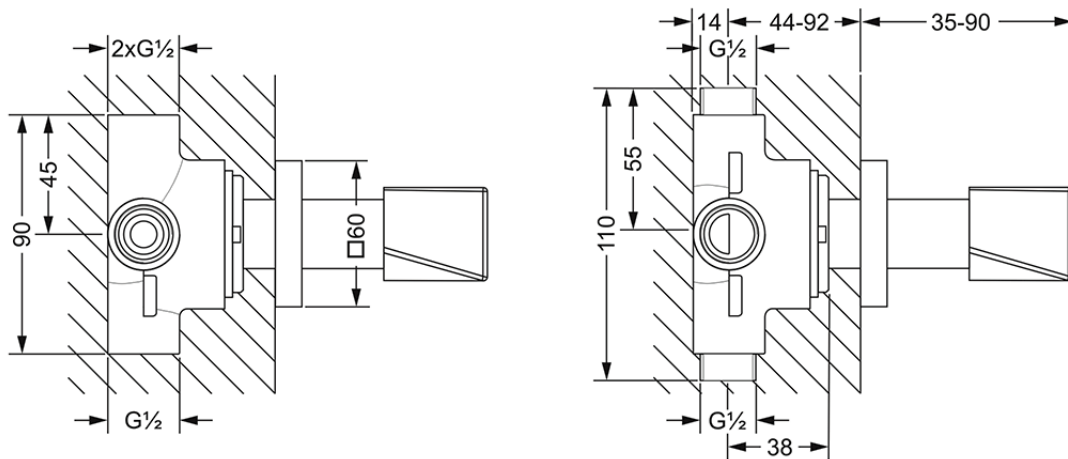
Concealed 3-position diverter assembly set 1/2"



- design handle
- socket with adjustable escutcheon
- flow rate 52 l/min at 3 bar

Required:

- **649.40.600.000** | Concealed 3-position diverter 1/2", diverter body

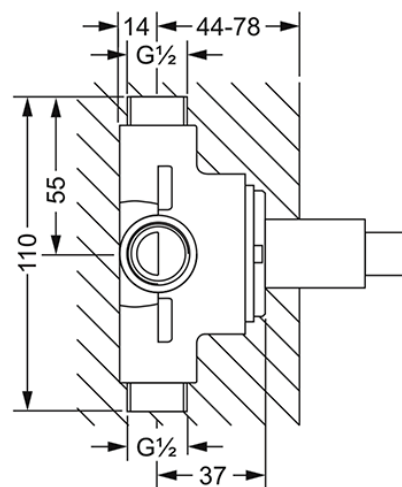
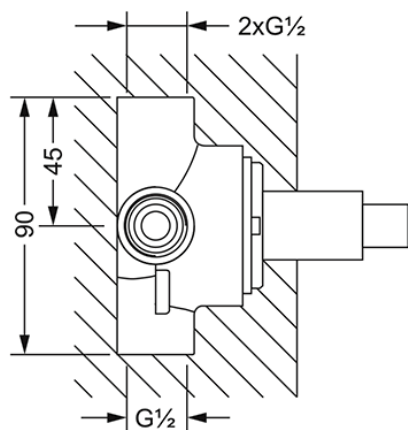


TURN

649.40.600.000

Concealed 3-position diverter 1/2" diverter body

- for assembly set XXX.40.650.xxx
- flow rate 52 l/min at 3 bar



TURN

623.50.234.xxx

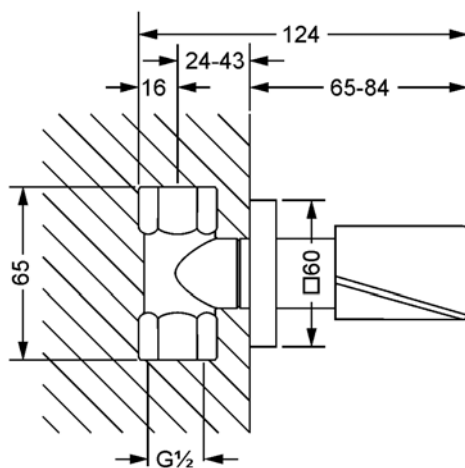
Concealed wall valve, assembly set



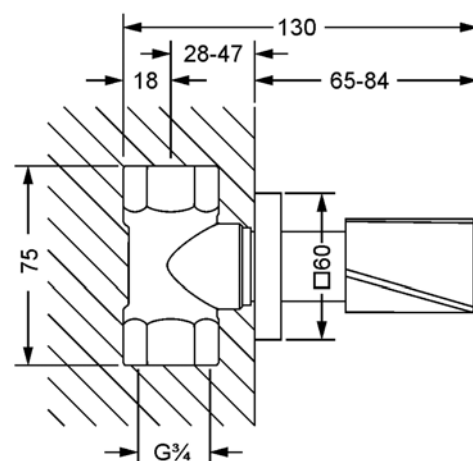
- socket with adjustable
- escutcheon
- flow rate for 1/2" 17 l/min at 3 bar
- flow rate for 3/4" 21 l/min at 3 bar

Required:

- **649.20.350.000** | Concealed wall valve 1/2", body, clockwise closure
- **649.20.355.000** | Concealed wall valve 1/2", body, counter-clockwise closure
- **649.20.450.000** | Concealed wall valve 3/4", body, clockwise closure
- **649.20.455.000** | Concealed wall valve 3/4", body, counter-clockwise closure



mit Einbaukörper / with concealed body 1/2"



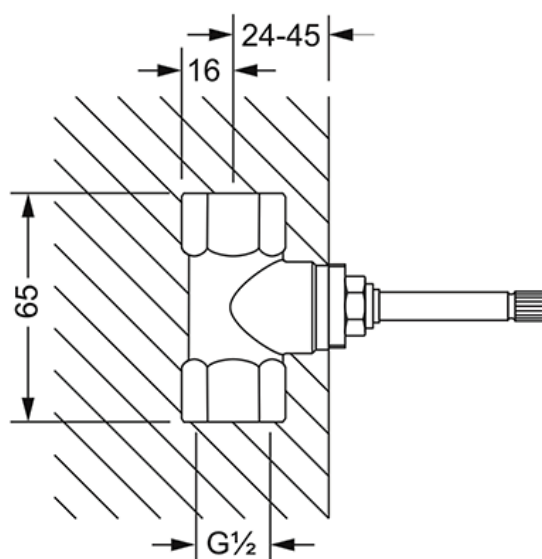
mit Einbaukörper / with concealed body 3/4"

TURN

649.20.350.000

Concealed wall valve 1/2", body

- clockwise closure
- ceramic discs 1/2"
- flow rate 17 l/min at 3 bar



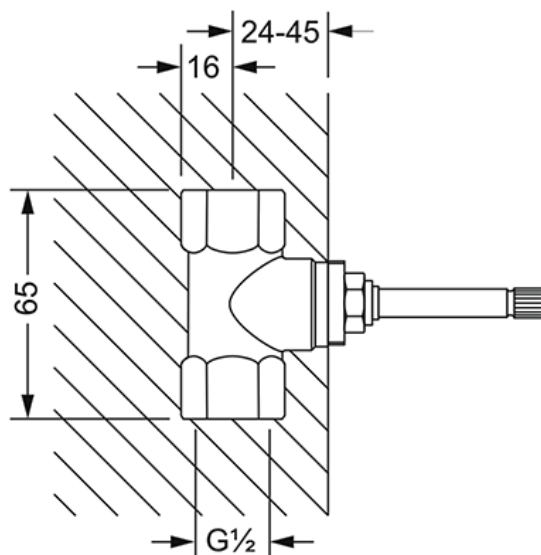
Einbaukörper 1/2"

TURN

649.20.355.000

Concealed wall valve 1/2", body

- counter-clockwise closure
- ceramic discs 1/2"
- flow rate 17 l/min at 3 bar



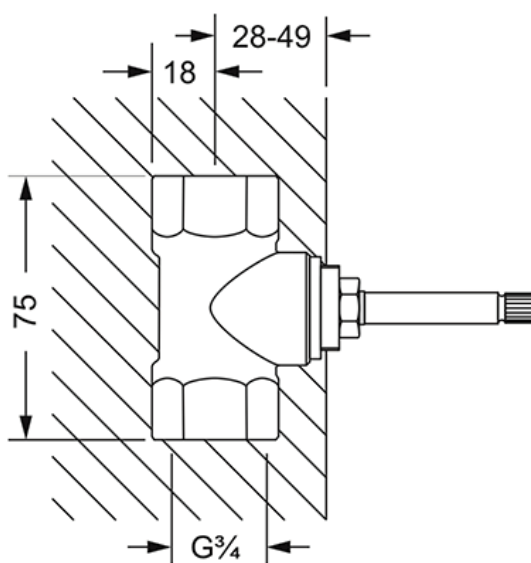
Einbaukörper 1/2"

TURN

649.20.450.000

Concealed wall valve $\frac{3}{4}$ ", body

- clockwise closure
- ceramic discs $\frac{3}{4}$ "
- flow rate 21 l/min at 3 bar



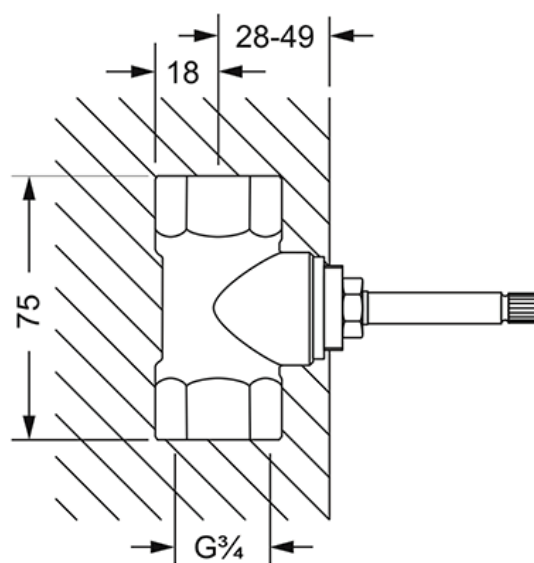
Einbaukörper $\frac{3}{4}$ "

TURN

649.20.455.000

Concealed wall valve $\frac{3}{4}$ ", body

- counter-clockwise closure
- ceramic discs $\frac{3}{4}$ "
- flow rate 21 l/min at 3 bar



Einbaukörper $\frac{3}{4}$ "

TURN

623.60.432.xxx

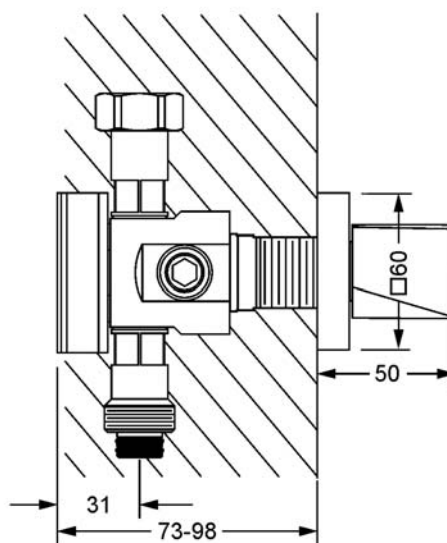
Concealed wall-valve-modul assembly set



- design handle
- escutcheon
- spindle valve $\frac{3}{4}$ ", clockwise closure with ceramic discs
- flow rate look at installation body

Required:

- **649.20.610.000** | Concealed wall-valve-modul, single
- **649.20.620.000** | Concealed wall-valve-modul, double
- **649.20.630.000** | Concealed wall-valve-modul, triple



TURN

649.20.610.000

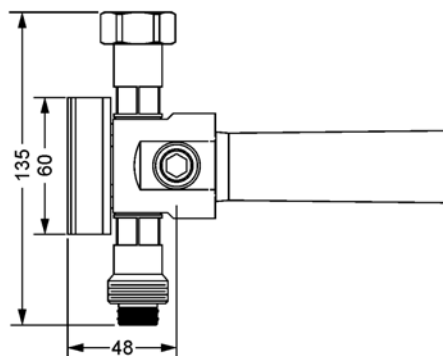
Concealed wall-valve-modul, single



- 2 outlets ½", each 1x right/left possible, simultaneously usable
- the module can be used as a water outlet in the installation and can be extended by the desired number of valves
- the module is supplied with brackets for wall mounting
- flow rate with ½" thermostat ø 27,6 l/min at 3 bar
- flow rate with ¾" thermostat ø 39,2 l/min at 3 bar

For the connection to the concealed part of the thermostat is required:

- **649.20.612.000** | adapter ½" or
- **649.20.634.000** | adapter ¾"



TURN

649.20.620.000

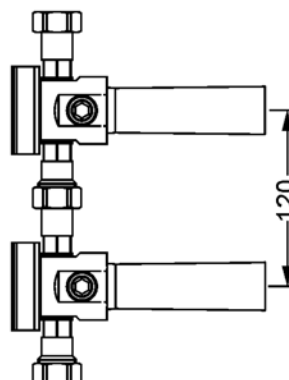
Concealed wall-valve-modul, double



- 4 outlets ½", each 2x right/left possible, simultaneously usable
- precise assembly due to composite
- the module can be used as a water outlet in the installation and can be extended by the desired number of valves
- the module is supplied with brackets for wall mounting
- flow rate with ½" thermostat ø 32,6 l/min at 3 bar
- flow rate with ¾" thermostat ø 52,7 l/min at 3 bar

For the connection to the concealed part of the thermostat is required:

- **649.20.612.000** | adapter ½" or
- **649.20.634.000** | adapter ¾"



TURN

649.20.630.000

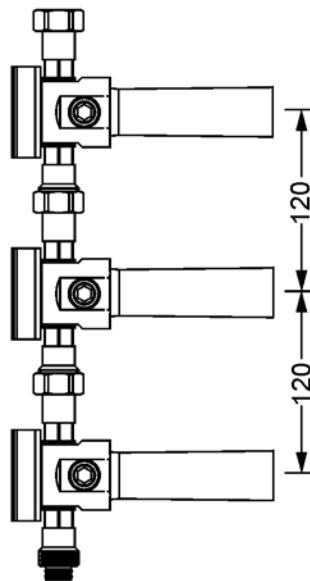
Concealed wall-valve-modul, triple



- 6 outlets ½", each 3x right/left possible, simultaneously usable
- precise assembly due to composite
- the module can be used as a water outlet in the installation and can be extended by the desired number of valves
- the module is supplied with brackets for wall mounting
- flow rate with ½" thermostat ø 33 l/min at 3 bar
- flow rate with ¾" thermostat ø 55,5 l/min at 3 bar

For the connection to the concealed part of the thermostat is required:

- **649.20.612.000** | adapter ½" or
- **649.20.634.000** | adapter ¾"



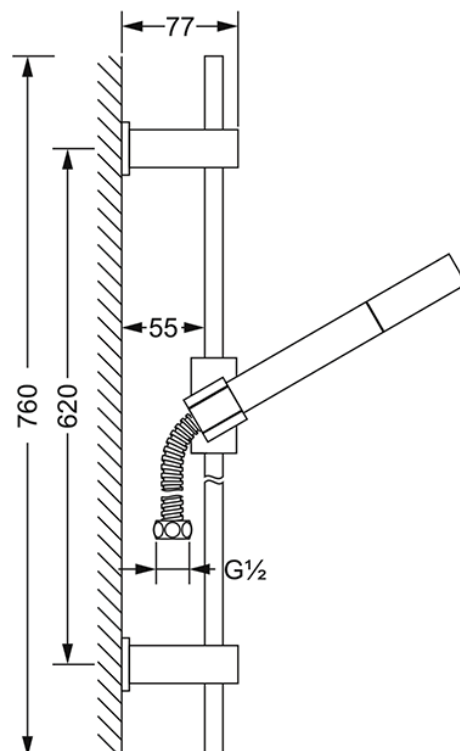
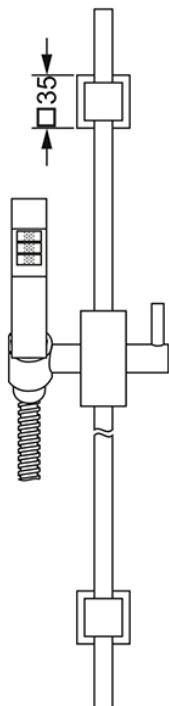
TURN

626.13.300.xxx

Shower bar set, complete



- wall mounting
- wall bar 760 mm, with slider
- metal hand shower with anticalcareous system and backflow preventer
- flow rate hand shower 24 l/min at 3 bar
- metal shower hose 1750 mm, both sides with turning cone



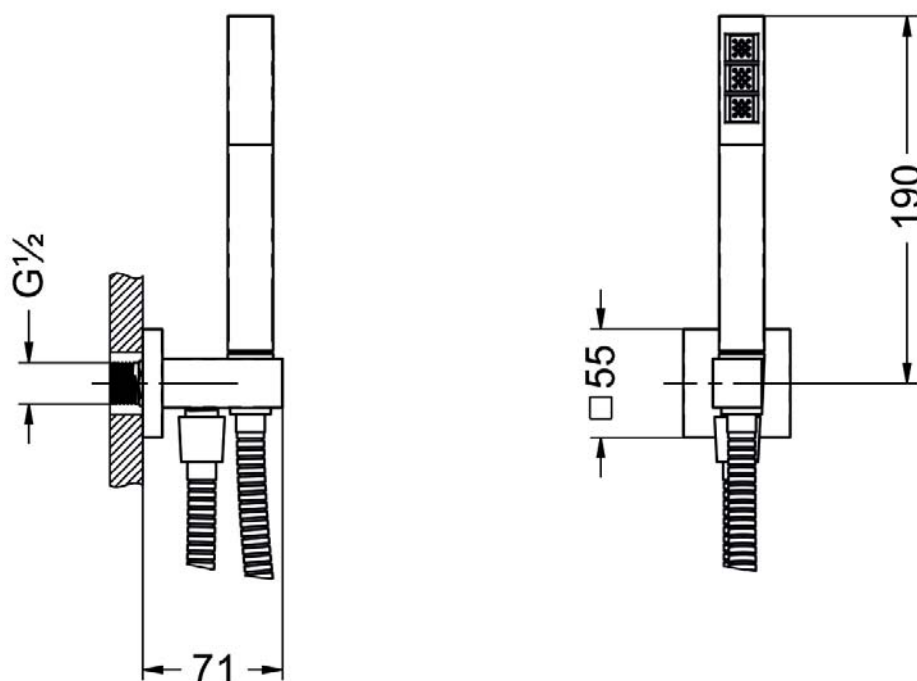
TURN

626.13.210.xxx

Shower combination 1/2"



- wall fitting and elbow connection 1/2"
- metal hand shower with anticalcareous system and backflow preventer
- flow rate hand shower 24 l/min at 3 bar
- metal shower hose 1500 mm, both sides with turning cone

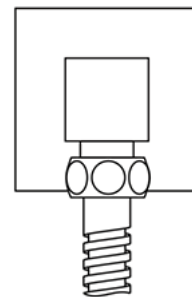
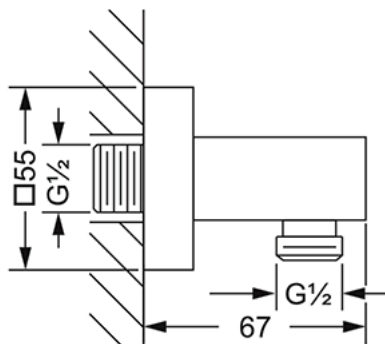


TURN

626.13.155.xxx

Wall elbow connection without cradle 1/2"

- wall mounting
- discharge 1/2"
- with backflow preventer, escutcheon

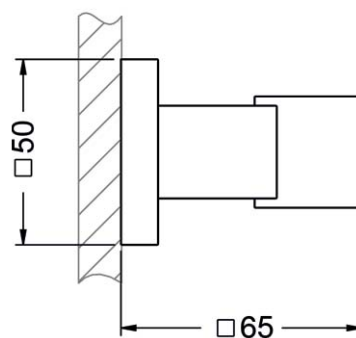


TURN

649.13.220.xxx

Wall fitting for hand shower

- wall mounting
- escutcheon \varnothing 50 mm

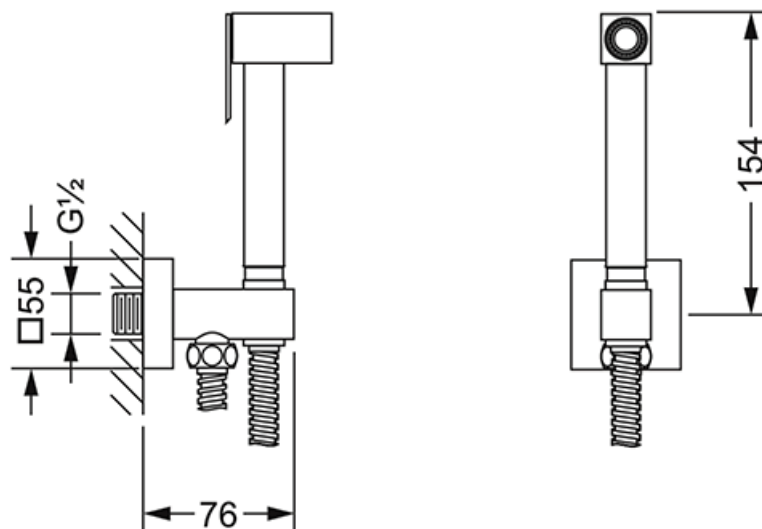


TURN

626.13.237.xxx

Ablution spray combination 1/2"

- wall fitting and elbow connection 1/2"
- spray hand shower 649.13.334.xxx, completely metal
- one jet, push-lever operation
- flexible metal shower hose 1250 mm
- flow rate with water limitation 6,9 l/min



TURN

623.20.237.xxx

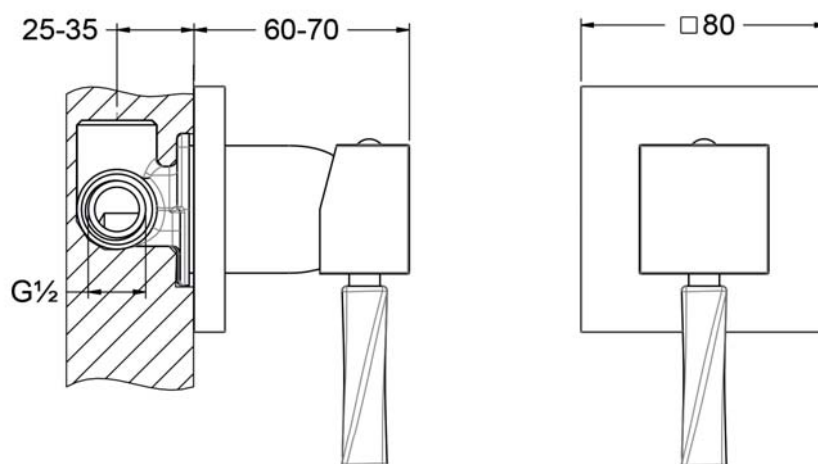
Concealed single lever for ablution spray, assembly set 1/2"



- design handle
- escutcheon
- flow rate 26 l/min at 3 bar

Required:

- **649.20.237.000** | Single lever mixer 1/2", concealed body

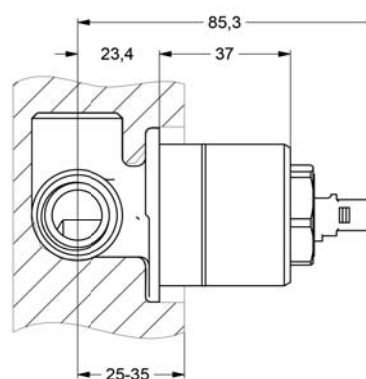
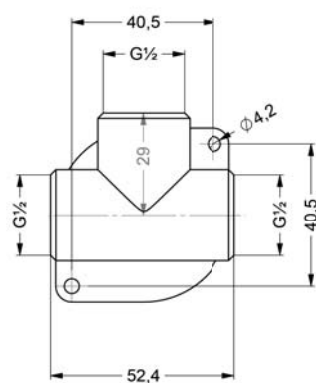


TURN

649.20.237.000

Single lever mixer 1/2", concealed body

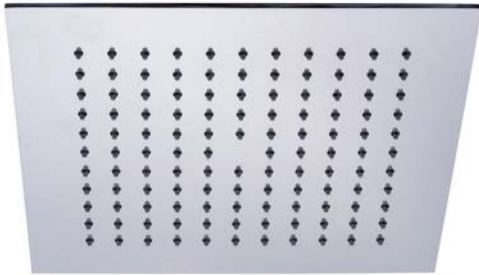
- cartridge with ceramic discs 1/2"
- for assembly set XXX.20.237.xxx
- flow rate 26 l/min at 3 bar



TURN

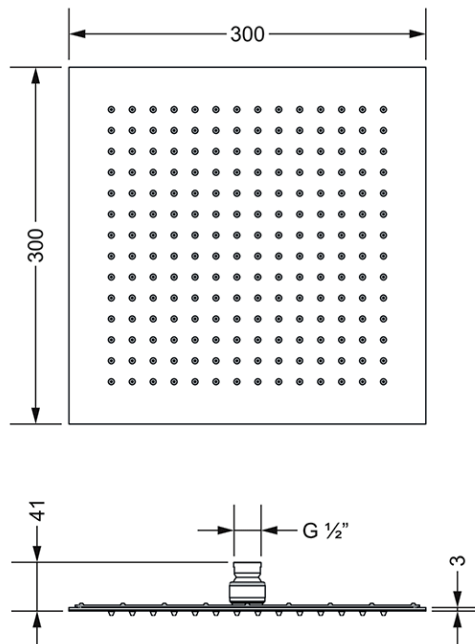
649.13.975.xxx

Rain shower head ½", 300 x 300 mm



- full metal body
- 3 mm ultra-thin
- with ball joint
- with anticalcareous system
- flow rate 12 l/min at 3 bar
- without wall bracket

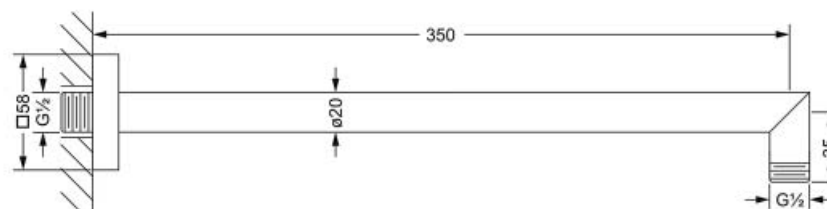
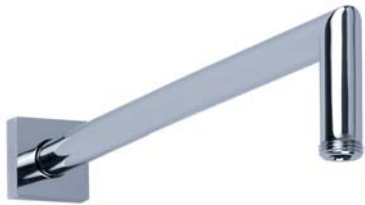
Please order wall or ceiling bracket with the rain shower head separately.



TURN

649.13.785.xxx
Wall bracket 1/2"

- wall mounting
- spout projection 350 mm

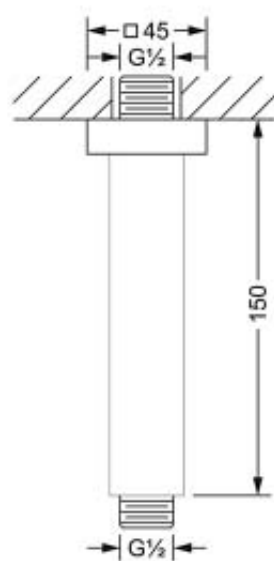


TURN

649.13.771.xxx

Ceiling bracket 1/2"

· length 150 mm



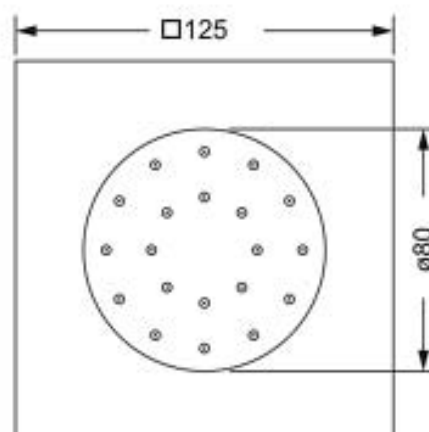
TURN

649.13.526.xxx

Body spray side shower 1/2"



- wall mounting
- escutcheon 125 x 125 mm
- material: plastic
- swivel shower head, 20°
- anticalcareous system
- flow rate 3,6 l/min at 3 bar



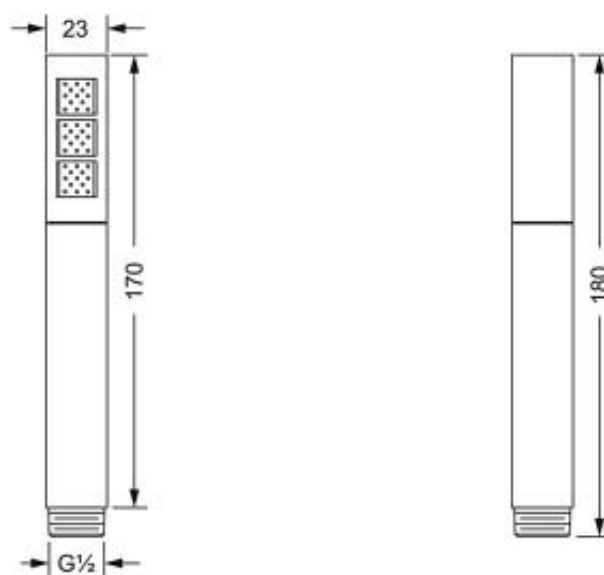
TURN

649.13.375.xxx

Hand shower 1/2"



- material metal
- anticalcareous system
- connection 1/2"
- 1-spray hand shower
- flow rate 24 l/min at 3 bar

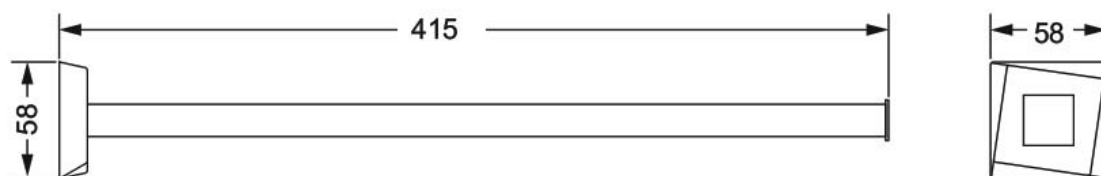


TURN

623.00.002.xxx

Towel bar

- wall model
- rigid bar
- single
- approx. 415 mm

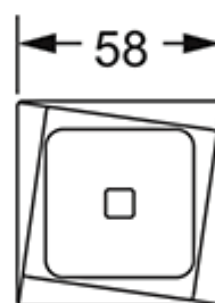
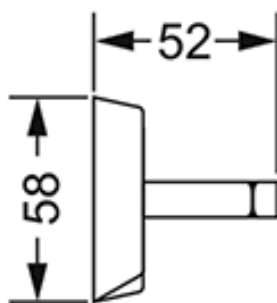


TURN

623.00.022.xxx

Robe hanger

- wall model
- single

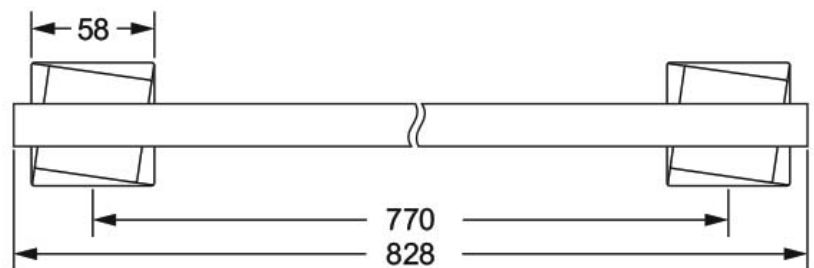
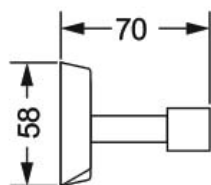


TURN

623.00.040.xxx

Bath towel bar

- wall model
- approx. 770 mm

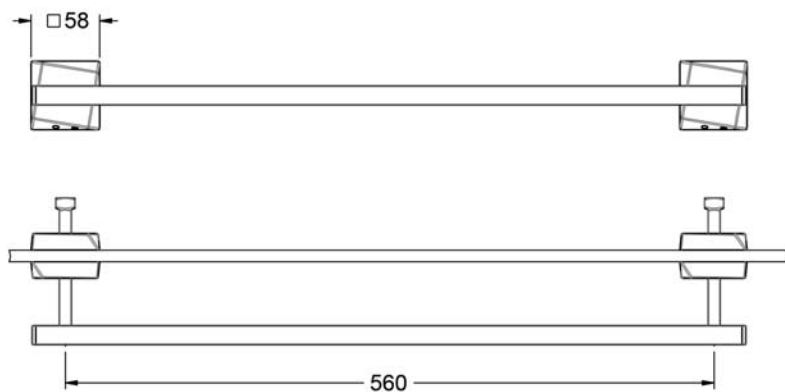
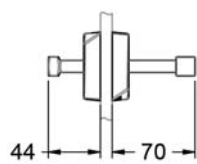


TURN

623.00.030.xxx

Shower door handle

- wall model
- 560 mm

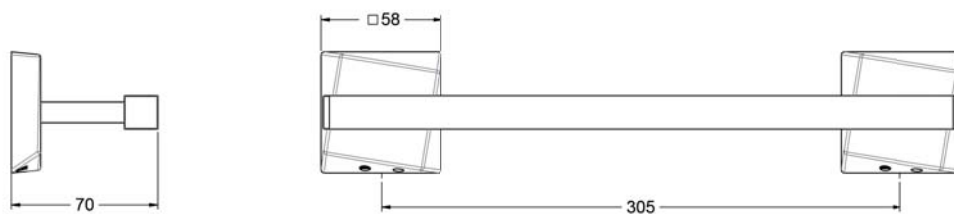


TURN

623.00.031.xxx

Tub handle

- wall model
- approx. 305 mm

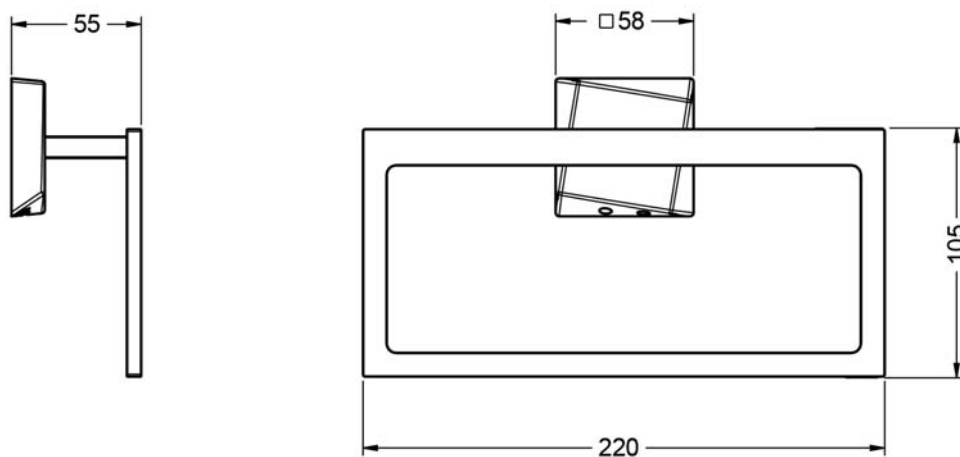


TURN

623.00.047.xxx

Towel ring

- wall model
- 220 x 105 mm
- closed version

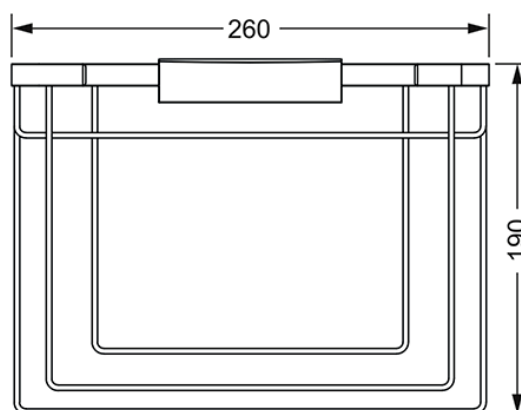
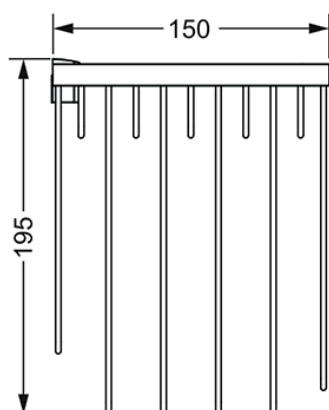


TURN

634.00.104.xxx

Guest towel basket, angular

- wall model
- upper basket for clean towels
- bottom basket for used towels
- basket size 260 x 150 x 190 mm

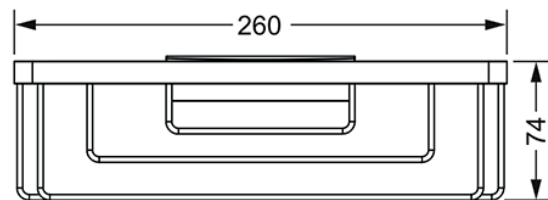
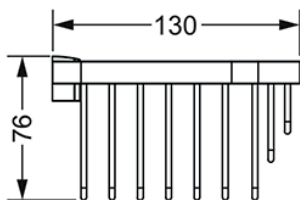
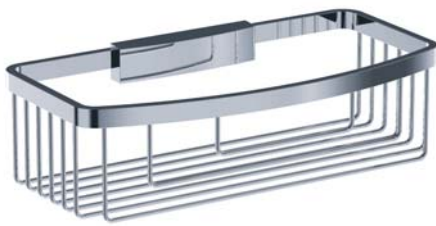


TURN

634.00.105.xxx

Sponge basket

- wall model
- rectangular
- 260 x 130 mm

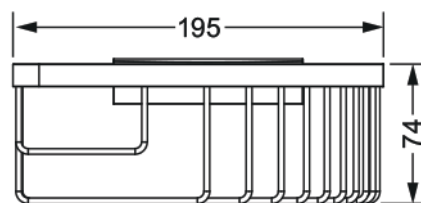
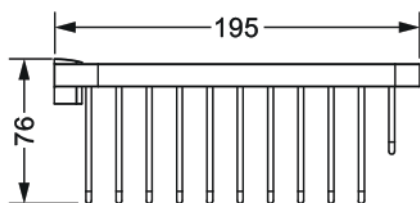


TURN

634.00.106.xxx

Corner sponge basket

- wall model
- triangular
- 195 x 195 mm

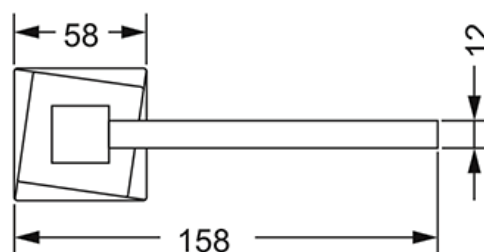
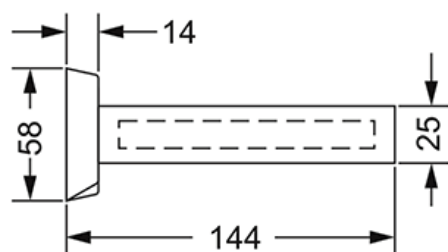


TURN

623.00.007.xxx

Soap dish holder, complete

- wall model
- crystal glass dish, clear
- right side alignment
- on request, the alignment is also possible to the left

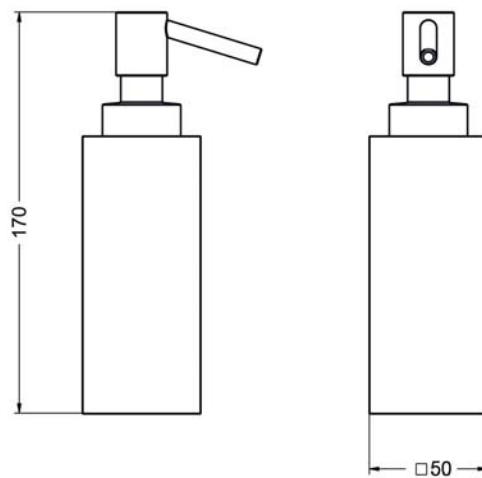


TURN

627.00.016.xxx

Soap dispenser, complete

- free standing model
- brass

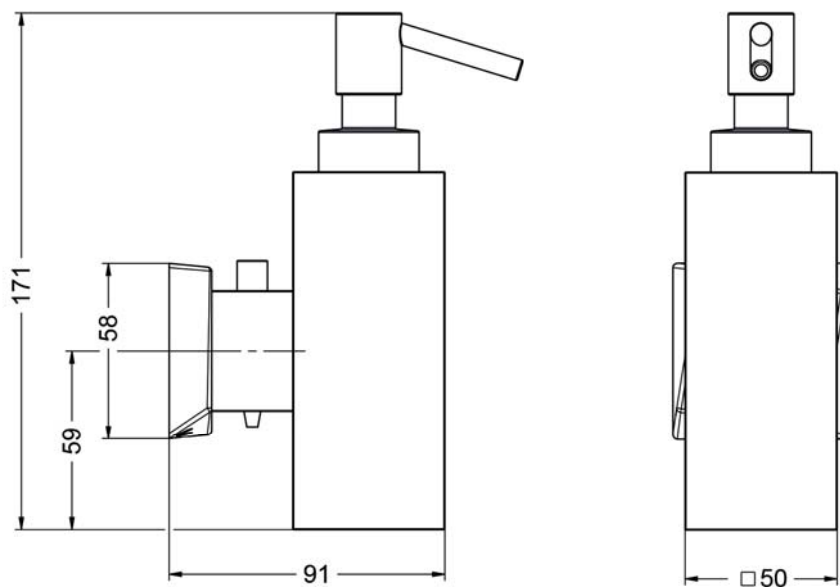


TURN

623.00.006.xxx

Soap dispenser, complete

- wall model
- brass



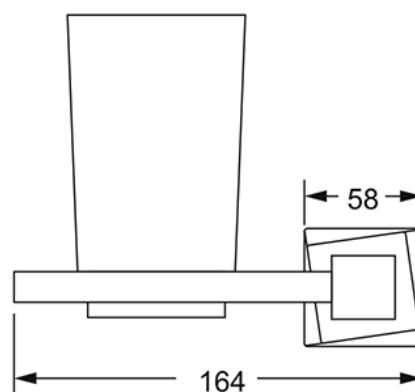
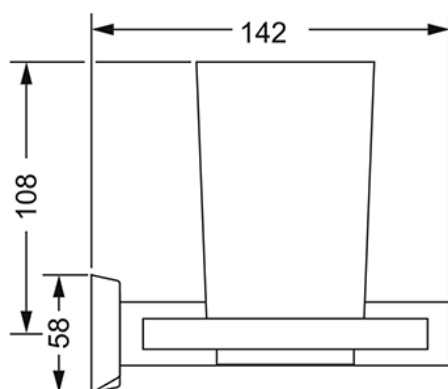
TURN

623.00.036.xxx

Tumbler holder, complete



- wall model
- crystal glass tumbler, frosted
- left side alignment
- on request, the alignment is also possible to the right

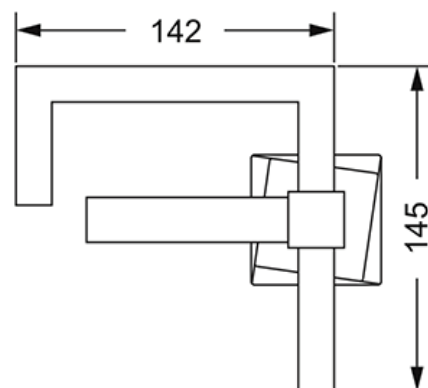
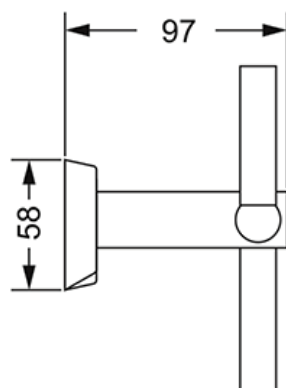


TURN

623.00.014.xxx

Toilet paper roll holder

- wall model
- mobile bracket

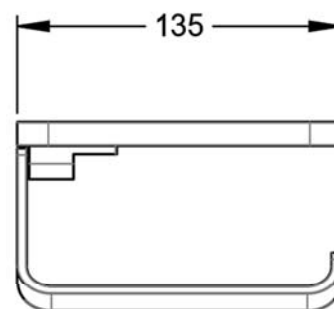
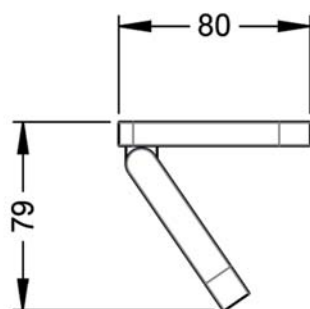


TURN

632.00.024.xxx

Toilet paper roll holder

- wall model
- with shelf

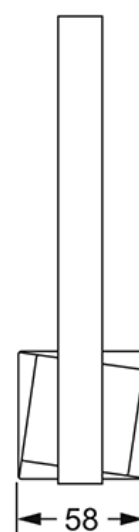
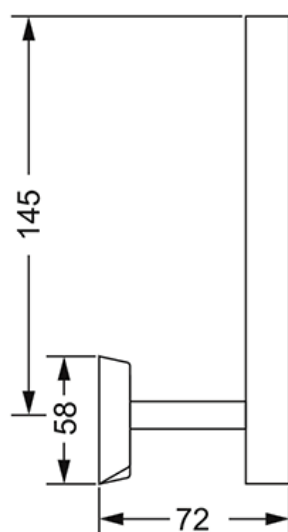


TURN

623.00.015.xxx

Spare toilet paper roll holder

- wall model
- for a spare roll of paper



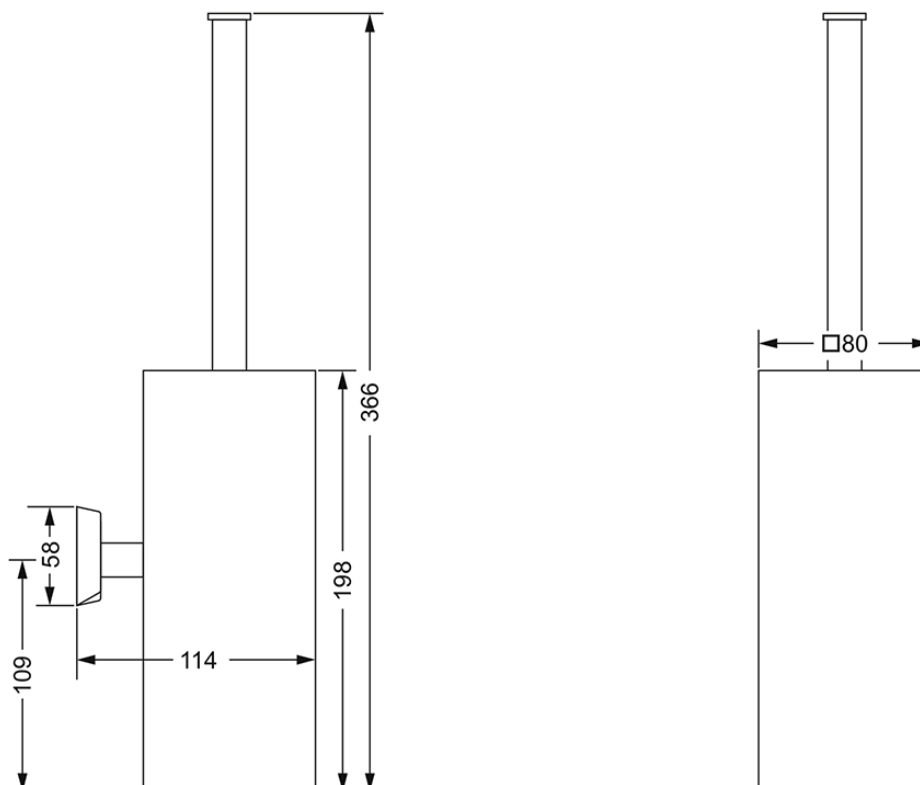
TURN

623.00.000.xxx

Toilet brush holder set, complete



- wall model
- brush holder out of brass



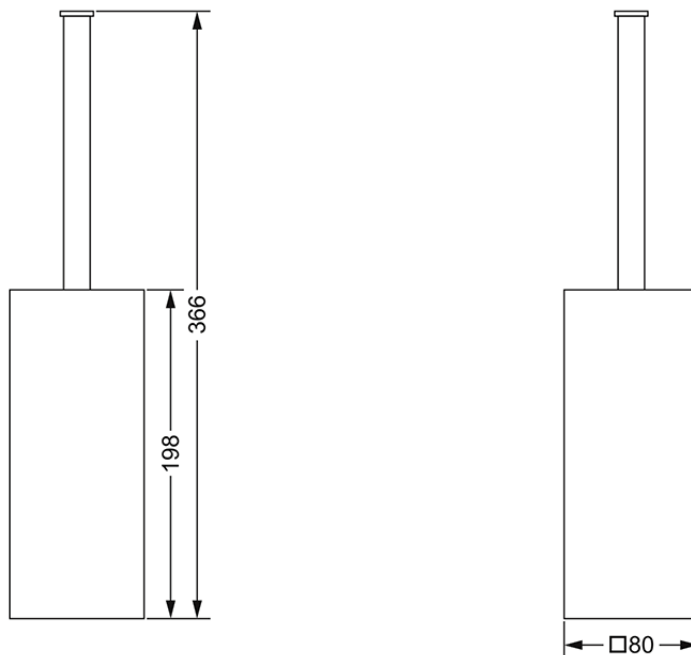
TURN

627.00.001.xxx

Toilet brush holder set, complete



- floor standing model
- constructed of solid brass



TURN

649.00.418.xxx

Cosmetic mirror, inclusive lighting



- wall model
- swivelling and extendable
- magnification 3:1
- direct connection
- mirror diameter 185 mm
- frame diameter 250 mm
- touch control of the background light

