

## CHARLESTON SQUARE

634.30.300.xxx

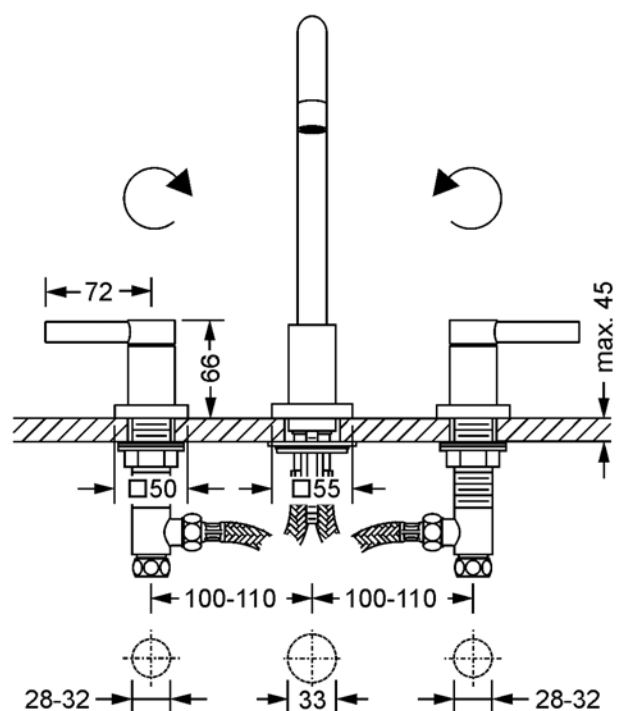
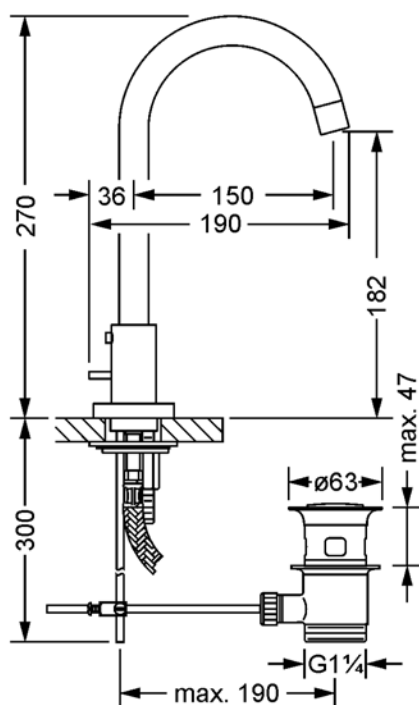
Washbasin 3-hole mixer 1/2"



- spout projection 150 mm
- height 270 mm
- swivelling spout
- aerator M18 x 1
- 2 side valves with ceramic internal upper part 1/2", clockwise and counter-clockwise closure
- pop-up waste 1 1/4"
- 2 flexible hoses M10 x 1 x 1/2" x 150 mm

### Recommended:

- 2x 649.15.530.xxx | copper tube 300 mm



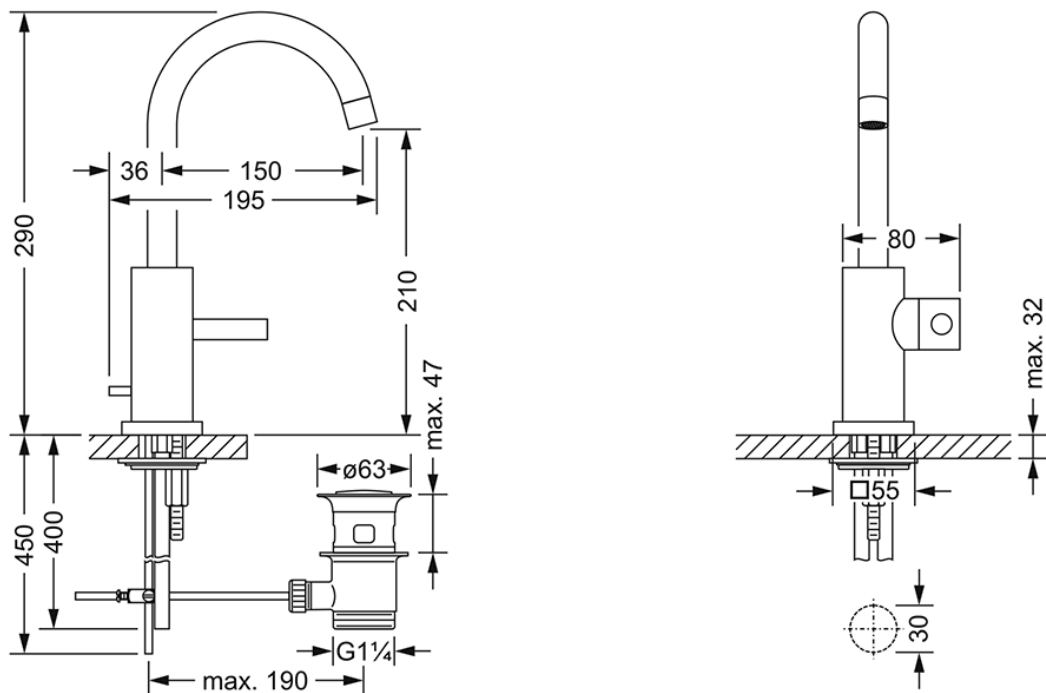
## CHARLESTON SQUARE

634.10.333.xxx

Single lever washbasin mixer 1/2"



- spout projection 150 mm
- height 290 mm
- swivelling spout
- aerator M18 x 1
- cartridge with ceramic discs 1/2"
- pop-up waste 1 1/4"
- 2 copper tubes M10x1 x 400 mm



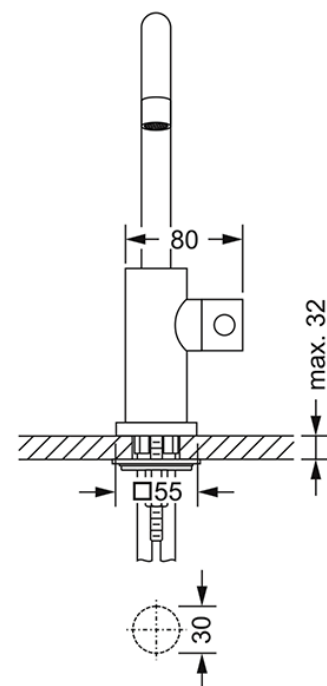
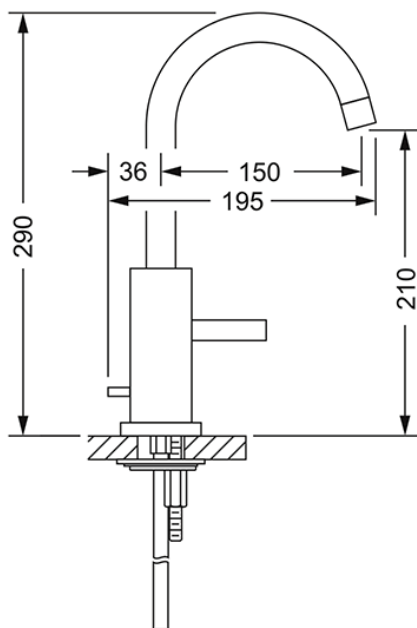
## CHARLESTON SQUARE

634.10.334.xxx

Single lever washbasin mixer 1/2"



- spout projection 150 mm
- height 290 mm
- swivelling spout
- aerator M18 x 1
- cartridge with ceramic discs 1/2"
- without pop-up waste
- 2 copper tubes M10x1 x 400 mm



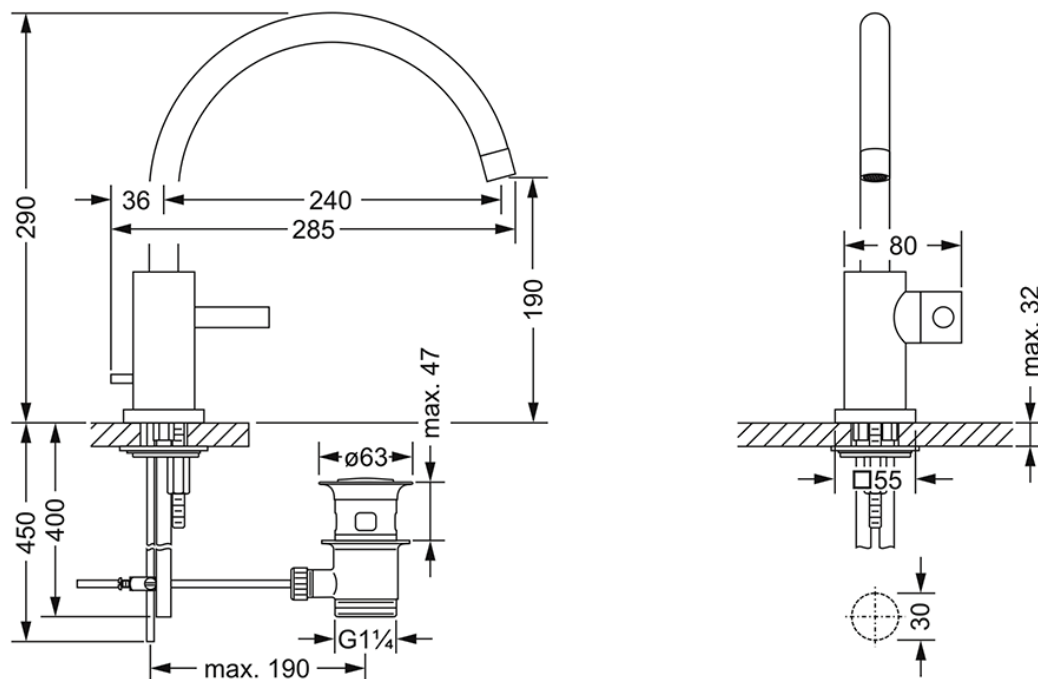
## CHARLESTON SQUARE

634.10.353.xxx

Single lever washbasin mixer 1/2", XXL



- spout projection 240 mm
- height 290 mm
- swivelling spout
- aerator M18 x 1
- cartridge with ceramic discs 1/2"
- pop-up waste 1 1/4"
- 2 copper tubes M10x1 x 400 mm



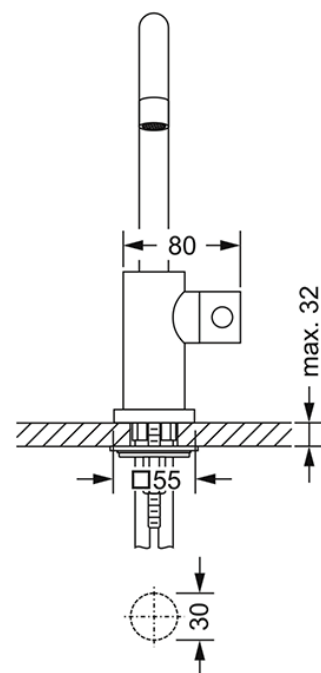
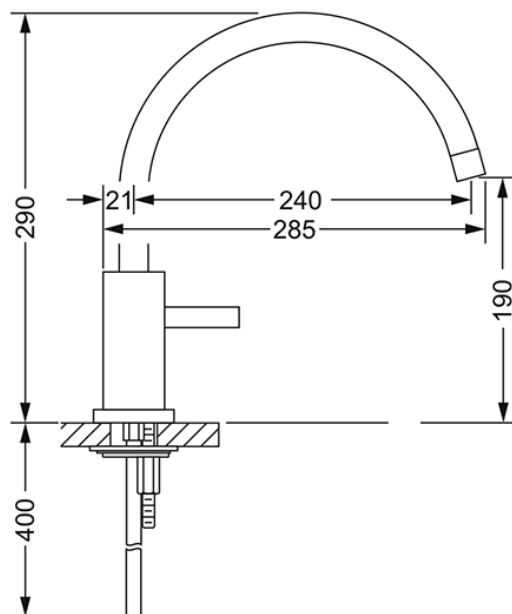
## CHARLESTON SQUARE

634.10.354.xxx

Single lever washbasin mixer 1/2", XXL



- spout projection 240 mm
- height 290 mm
- swivelling spout
- aerator M18 x 1
- cartridge with ceramic discs 1/2"
- without pop-up waste
- 2 copper tubes M10x1 x 400 mm



## CHARLESTON SQUARE

634.10.854.xxx

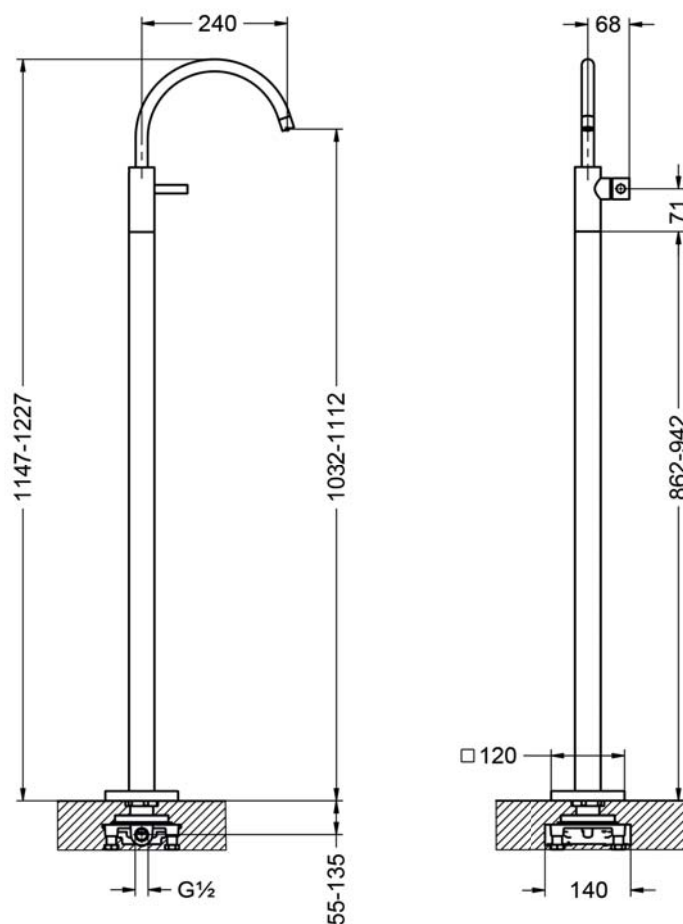
Single lever washbasin mixer ½



- free standing assembly
- spout projection 240 mm
- swivelling spout
- without waste
- aerator M18 x 1
- ceramic internal upper part ½"
- height 1147 - 1227 mm
- aerator height 1032 - 1112 mm
- pillar tube with flange

### Required:

- **649.10.970.000** | Assembly set for pre-installation



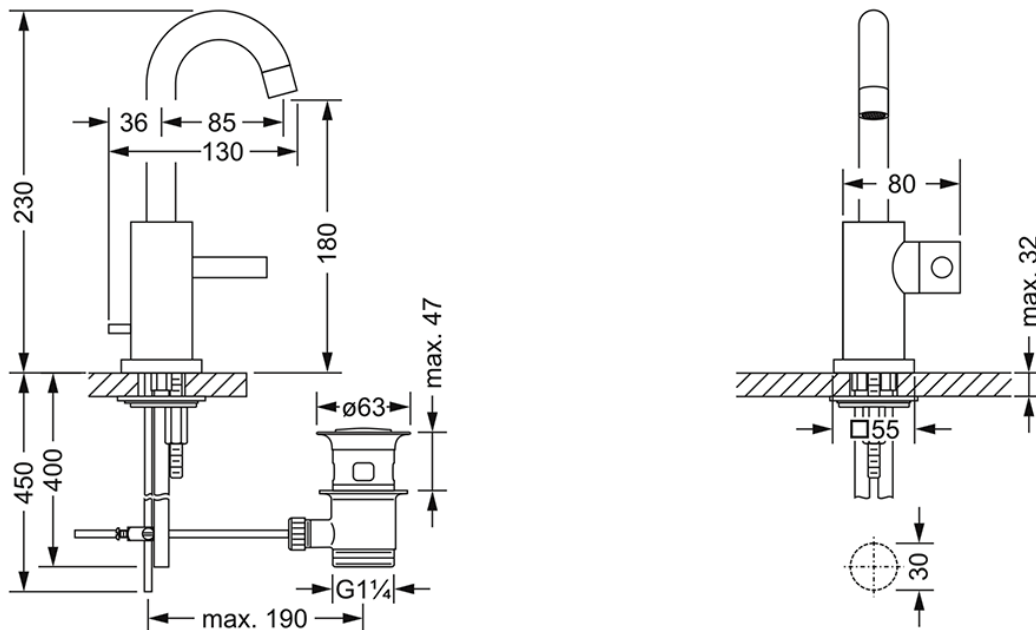
## CHARLESTON SQUARE

634.10.222.xxx

Single lever mini washbasin mixer 1/2"



- spout projection 85 mm
- height 230 mm
- swivelling spout
- aerator M18 x 1
- cartridge with ceramic discs 1/2"
- pop-up waste 1 1/4"
- 2 copper tubes M10x1 x 400 mm



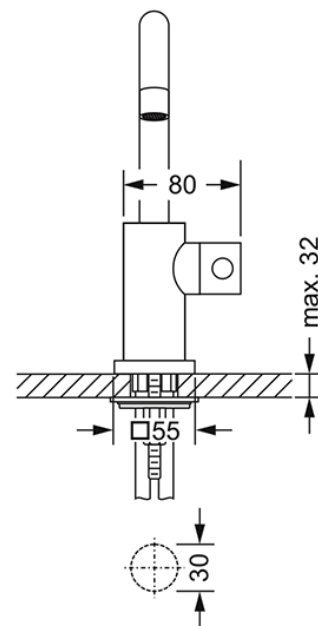
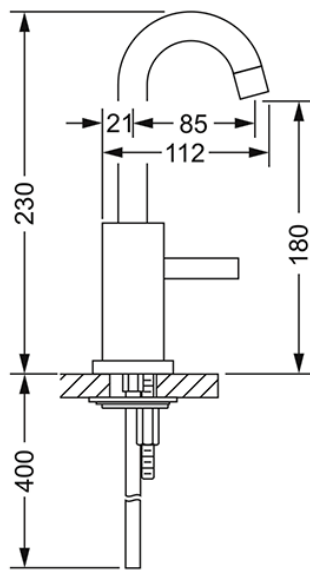
## CHARLESTON SQUARE

634.10.224.xxx

Single lever mini washbasin mixer ½"



- spout projection 85 mm
- height 230 mm
- swivelling spout
- aerator M18 x 1
- cartridge with ceramic discs ½"
- without pop-up waste
- 2 copper tubes M10x1 x 400 mm





## CHARLESTON SQUARE

634.10.332.xxx

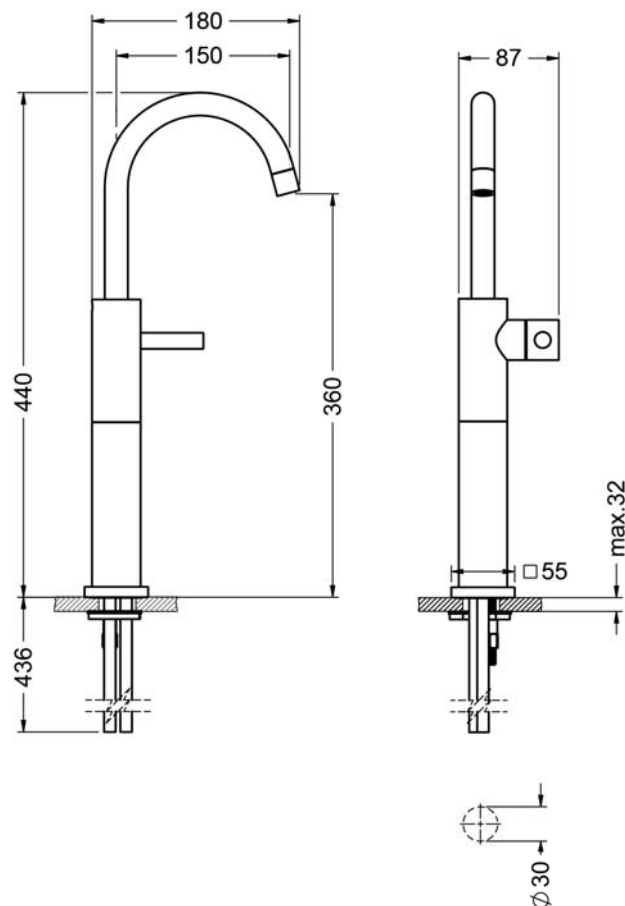
Single lever washbasin mixer 1/2", XXL



- with body extension 150 mm
- spout projection 150 mm
- total height 440 mm
- swivelling spout
- aerator M18 x 1
- cartridge with ceramic discs 1/2"
- without pop-up waste
- 2 copper tubes M10x1 x 600 mm

### Consisting of:

- **634.10.334.xxx** | Single lever washbasin mixer
- **649.10.086.xxx** | Body extension, height 150 mm



## CHARLESTON SQUARE

634.20.360.xxx

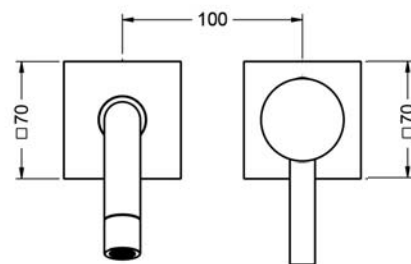
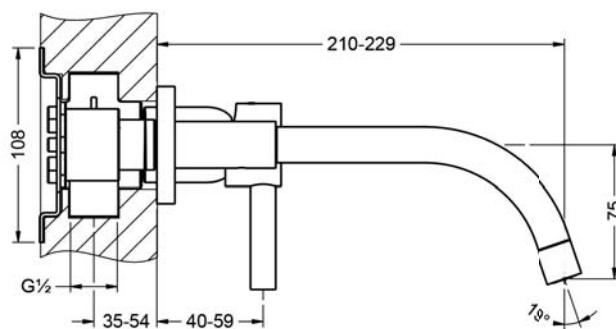
Single lever wall washbasin mixer, assembly set 1/2"



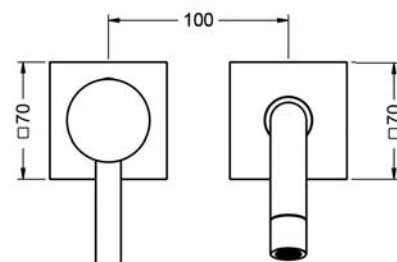
- wall mounting
- projection 210 - 229 mm
- wall spout
- aerator M18 x 1
- cartridge with ceramic discs 1/2"
- escutcheon

### Required:

- **649.20.362.000** | Single lever wall washbasin mixer 1/2", concealed body, control lever on the right
- **649.20.364.000** | Single lever wall washbasin mixer 1/2", concealed body, control lever on the left



mit Einbaukörper / with concealed body 649.20.362.000



mit Einbaukörper / with concealed body 649.20.364.000

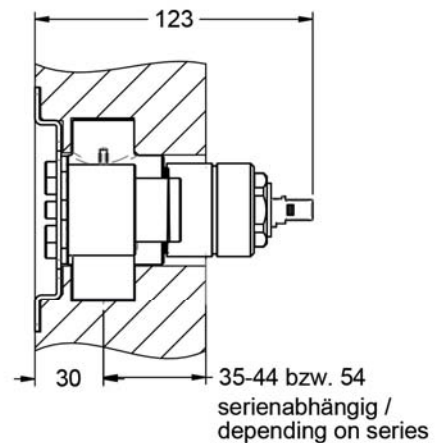
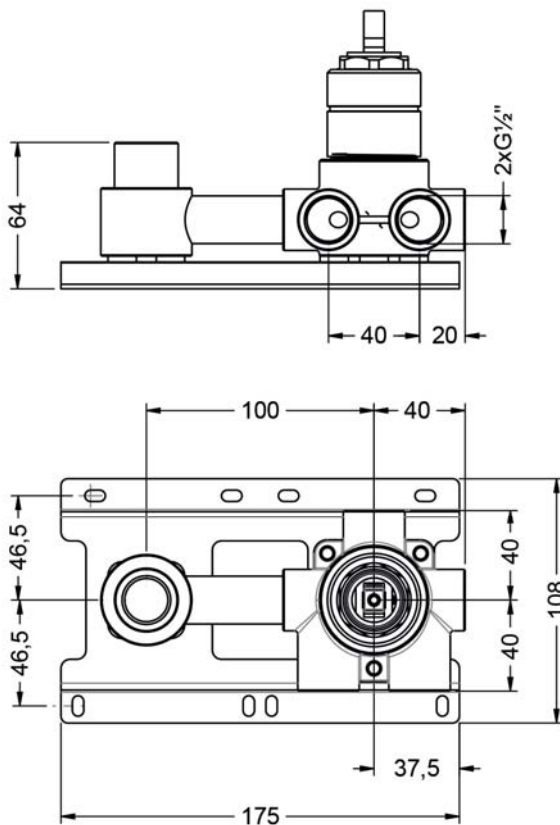


## CHARLESTON SQUARE

649.20.362.xxx

Single lever wall washbasin mixer ½", concealed body

- control lever on the right
- single handle operation
- for assembly set XXX.20.360.xxx and XXX.20.365.xxx
- cartridge with ceramic discs



## CHARLESTON SQUARE

634.30.360.xxx

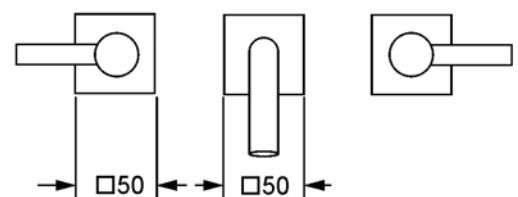
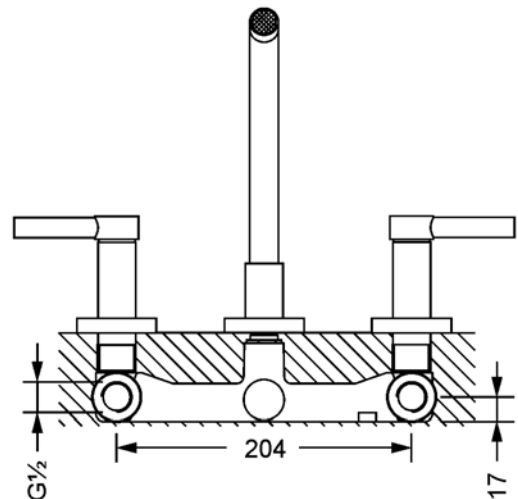
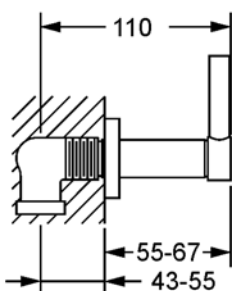
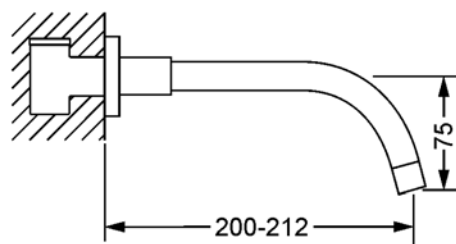
Wall washbasin 3-hole mixer, assembly set 1/2"



- wall mounting
- wall spout
- projection 200-212 mm
- aerator M18 x 1
- design handle, socket with adjustable, escutcheon
- cartridges with ceramic discs 1/2"

### Required:

- **649.30.380.000** | Wall washbasin 3-hole mixer 1/2", concealed body



## CHARLESTON SQUARE

634.30.365.xxx

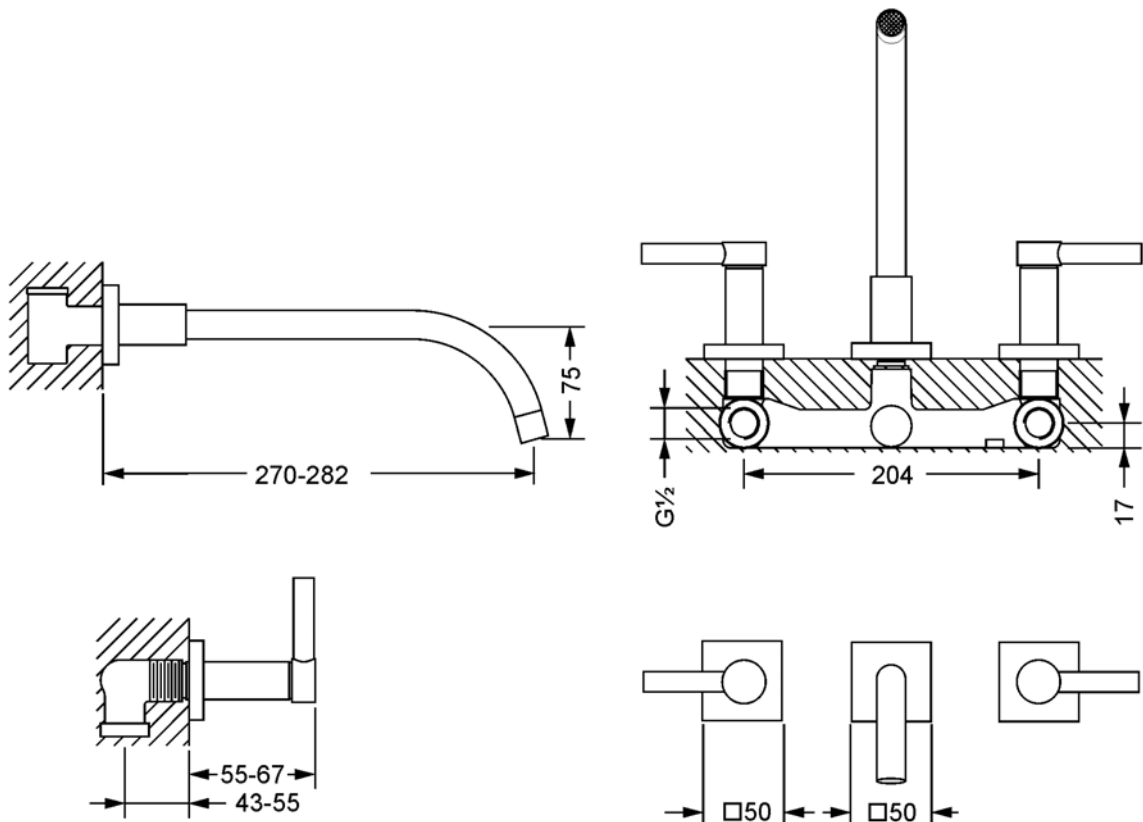
Wall washbasin 3-hole mixer 1/2", XXL



- wall mounting
- wall spout
- projection 270-282 mm
- aerator M18 x 1
- design handle, socket with adjustable escutcheon
- cartridges with ceramic discs 1/2"

### Required:

- **649.30.380.000** | Concealed body 1/2"

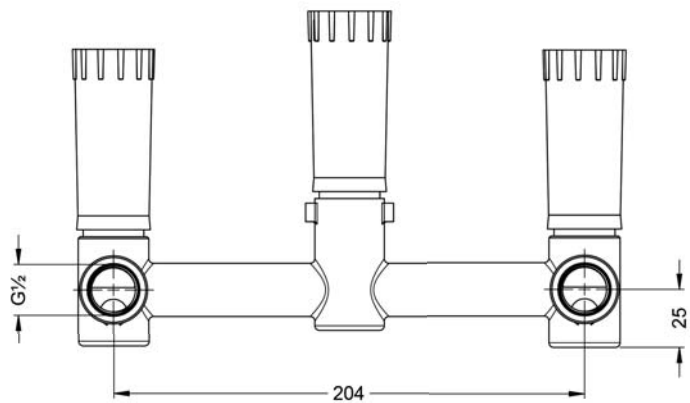
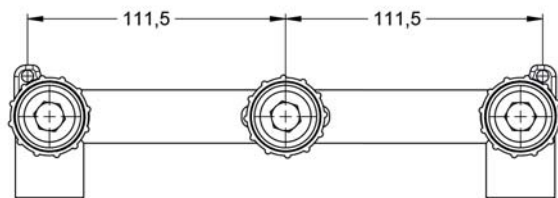
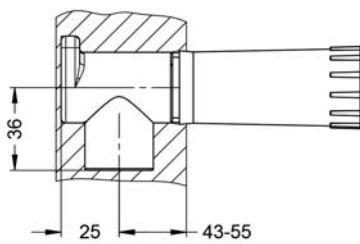


## CHARLESTON SQUARE

649.30.380.xxx

Wall washbasin 3-hole mixer, concealed body 1/2"

- 2 connections 1/2", center distance 204 mm
- for assembly set XXX.30.360.xxx and XXX.30.365.xxx



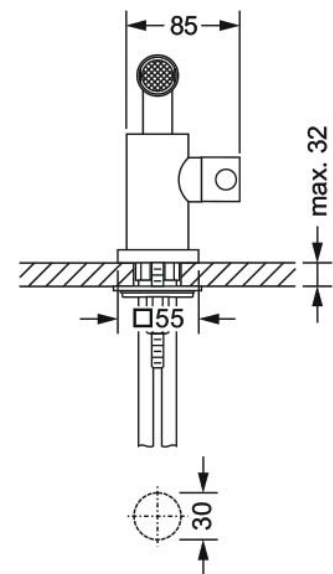
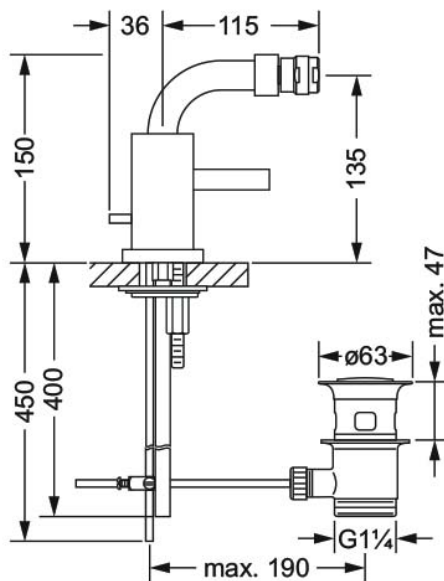
## CHARLESTON SQUARE

634.10.111.xxx

Single lever bidet mixer 1/2"



- spout projection 115 mm
- height 150 mm
- swivelling spout
- aerator M24x1 with ball joint
- cartridge with ceramic discs 1/2"
- pop-up waste 1 1/4"
- 2 pressure hoses M10x1 x 450 mm



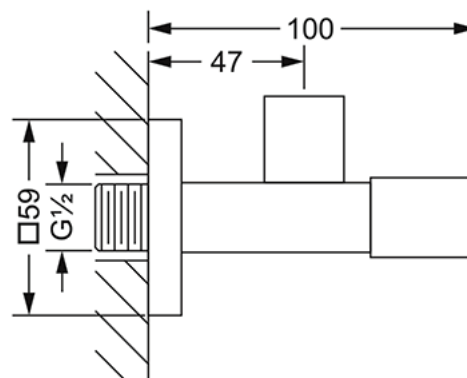


## CHARLESTON SQUARE

626.12.100.xxx

Angle valve 1/2"

- wall mounting
- spout projection 100 mm
- cartridge 1/2"
- compression joint 1/2"
- escutcheon



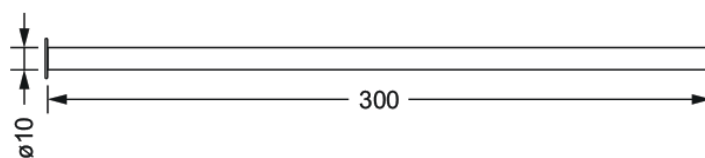
## CHARLESTON SQUARE

649.15.530.xxx

Copper tube, 300 mm

---

- with flange
- for compression joint



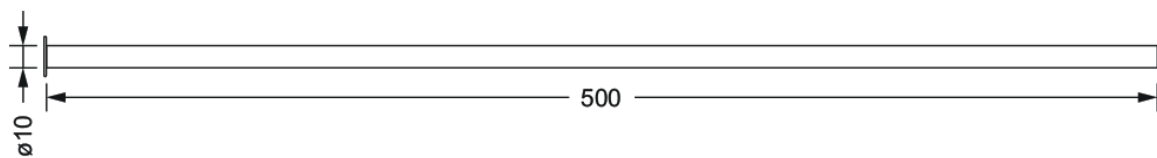
## CHARLESTON SQUARE

649.15.550.xxx

Copper tube, 500 mm

---

- with flange
- for compression joint



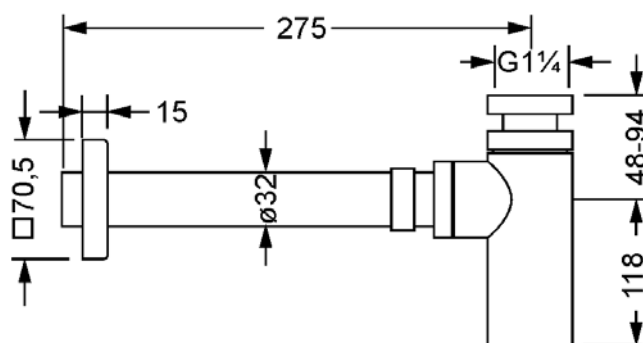
## CHARLESTON SQUARE

649.15.334.xxx

Washbasin cupped siphon trap 1 ¼"



- wall mounting
- heavy brass
- escutcheon
- outlet tube  $\varnothing$  32 mm
- dip pipe 165 mm

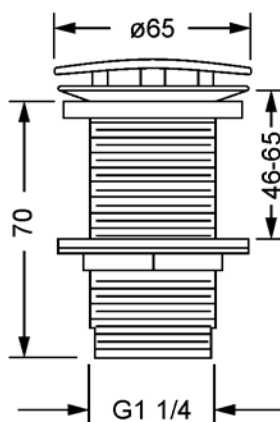


## CHARLESTON SQUARE

649.15.270.xxx

Restraint drain/waste 1¼"

- length of shaft 70 mm
- for washbasins without overflow

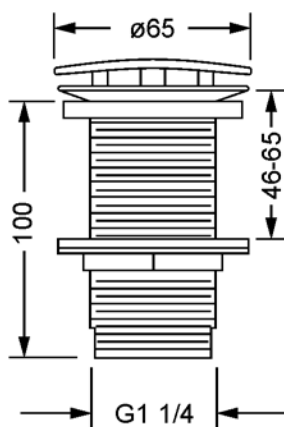


## CHARLESTON SQUARE

649.15.271.xxx

Restraint drain/waste 1 1/4"

- length of shaft 100 mm
- for washbasins without overflow

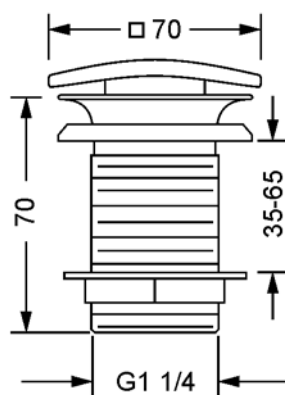


## CHARLESTON SQUARE

649.15.290.xxx

Restraint drain/waste 1 1/4"

- length of shaft 70 mm
- for washbasins without overflow



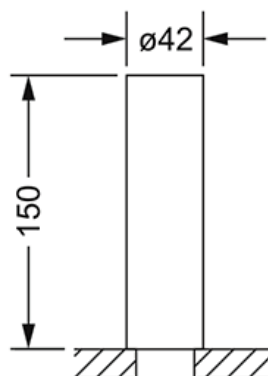
## CHARLESTON SQUARE

649.10.086.xxx

Body extension, height 150 mm



- diameter 42 mm
- for 634.10.222.xxx, 634.10.224.xxx, 634.10.300.xxx,  
634.10.333.xxx, 634.10.334.xxx, 634.10.350.xxx, 634.10.353.xxx,  
634.10.354.xxx, 634.10.600.xxx





## CHARLESTON SQUARE

634.40.105.xxx

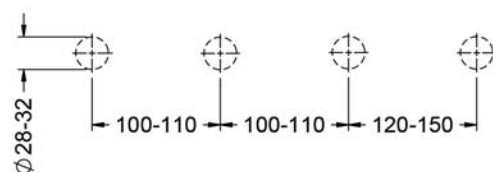
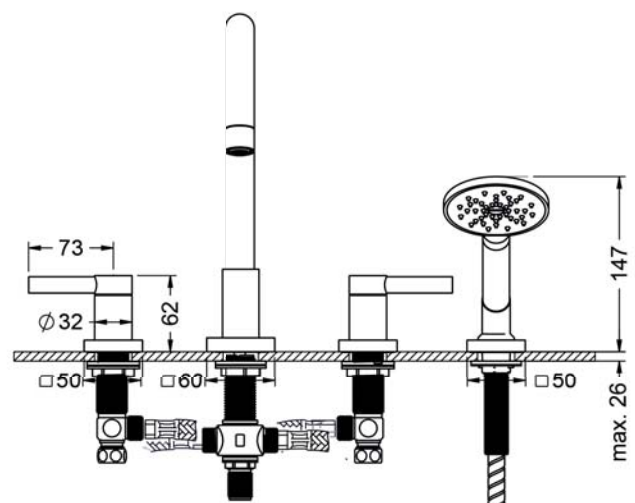
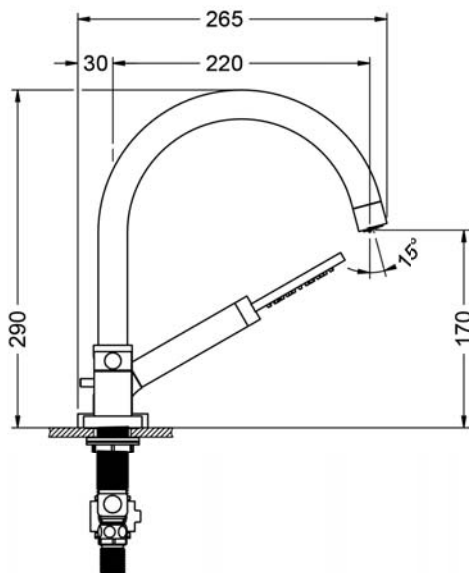
Tub/shower mixer set, deck mount 1/2"



- spout projection 220 mm
- height 290 mm
- fixed spout
- aerator M22 x 1
- automatic tub/shower diverter
- 2 side valves, ceramic internal upper parts 1/2"
- metal shower hose 2.000 mm
- metal hand shower with anticalcareous system and backflow preventer
- flow rate hand shower 13,2 l/min at 3 bar

### Recommended:

- **649.40.160.000** | Assembly plate, complete



## CHARLESTON SQUARE

634.40.155.xxx

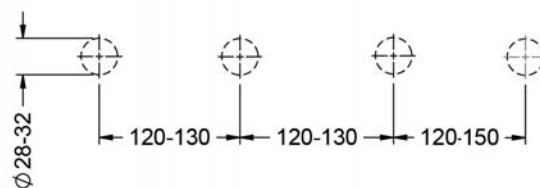
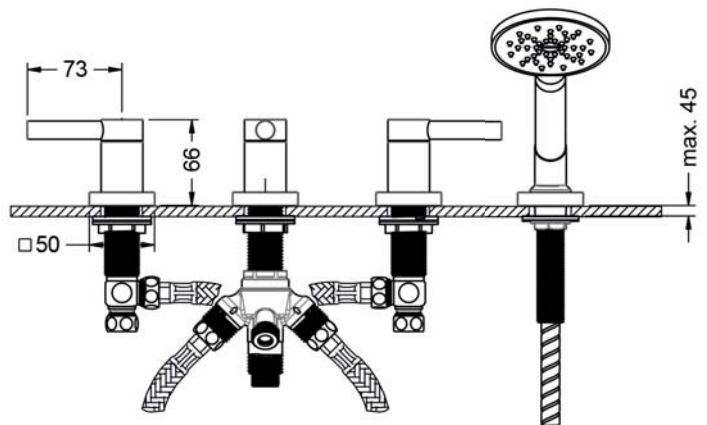
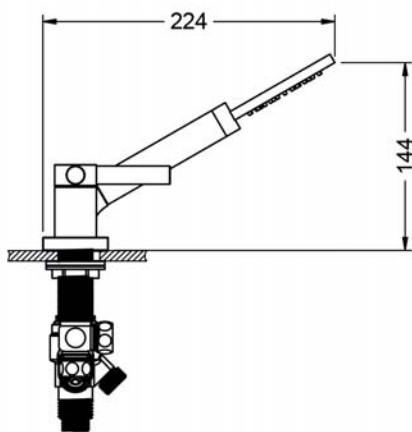
Tub/shower combination 1/2"



- for waste and overflow set with bath tub filler spout, without pipe interrupter
- 2 side valves, ceramic internal upper parts 1/2", 2-position diverter
- metal shower hose 2000 mm
- metal hand shower with anticalcareous system and backflow preventer
- flow rate hand shower 13,2 l/min at 3 bar

### Recommended:

- **649.40.160.000** | Assembly plate, complete

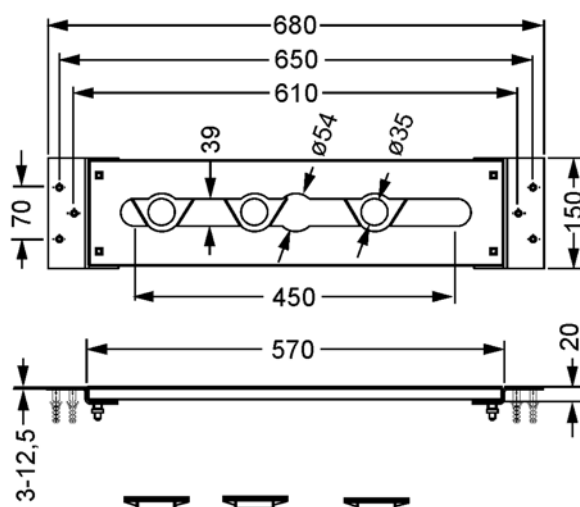


## CHARLESTON SQUARE

649.40.160.xxx

Assembly plate module

- installation under tiles or bath rim
- dimensions 680 x 150 mm
- complete metal plate with mounting elements
- recommended hose box system 649.40.150.000, 649.40.170.000



## CHARLESTON SQUARE

634.10.825.xxx

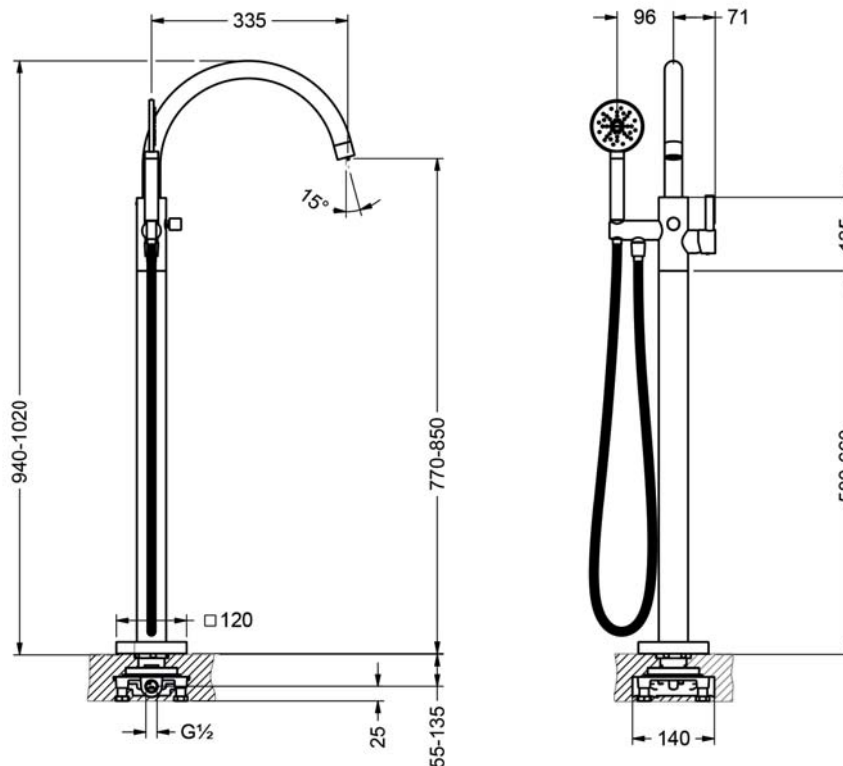
Tub/shower mixer for floor standing mounting, assembly set 1/2"



- free standing assembly
- spout projection 335 mm
- swivelling spout
- flow rate of the spout 20 l/min at 3 bar
- tub/shower diverter
- metal hand shower with anticalcareous system and backflow preventer
- flow rate hand shower 13,2 l/min at 3 bar
- metal shower hose 1500 mm
- pillar tube with flange
- aerator M28 x 1
- ceramic internal upper part 1/2"
- height 940 - 1020 mm
- aerator height 770-850 mm

### Required:

- **649.10.970.000** | Assembly set for pre-installation



## CHARLESTON SQUARE

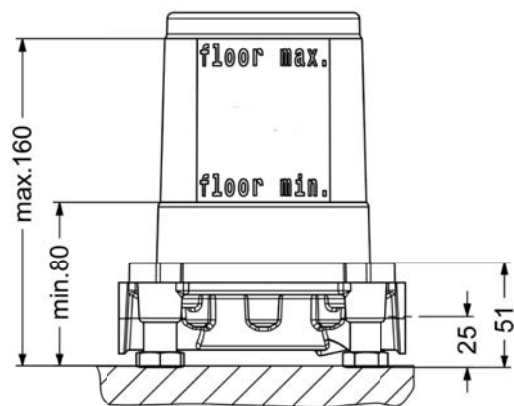
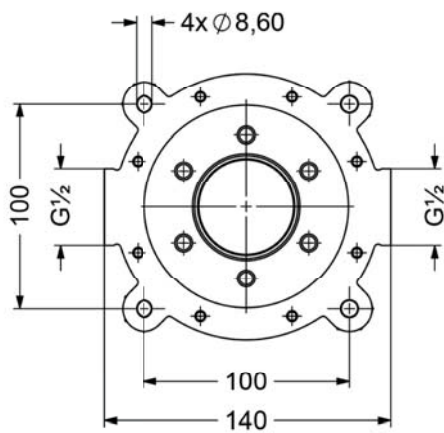
649.10.970.xxx

Assembly set for pre-installation

- adjustable to accommodate uneven floors
- mud guard with min/max floor depth
- rough can be installed and rotated to fit pipes
- trim can be rotated 360 degrees



**To order a complete unit, please order the concealed wall box with an assembly set.**



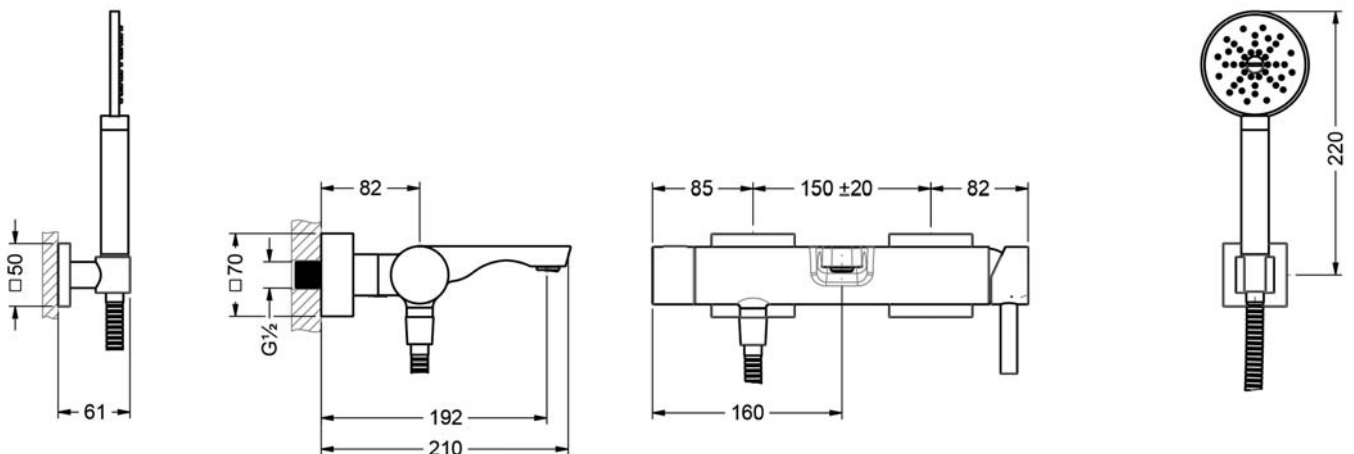
## CHARLESTON SQUARE

634.20.505.xxx

Exposed tub/shower mixer inclusive shower set 1/2"



- wall mounting
- spout projection 192 mm
- fixed spout
- aerator M24x1
- manual tub/shower diverter
- metal hand shower, anticalcareous system and backflow preventer
- flow rate hand shower 13,2 l/min at 3 bar
- metal shower hose 1500 mm, both sides with turning cone
- cartridge with ceramic discs 1/2"
- concealed S-connections 1/2" x 3/4"



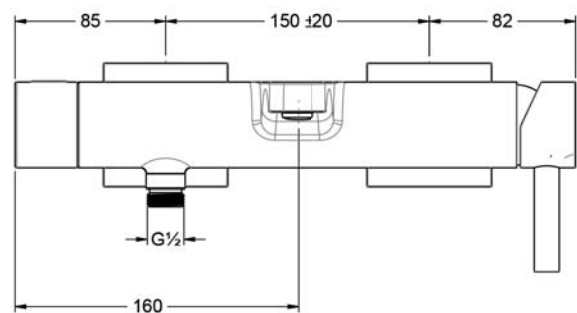
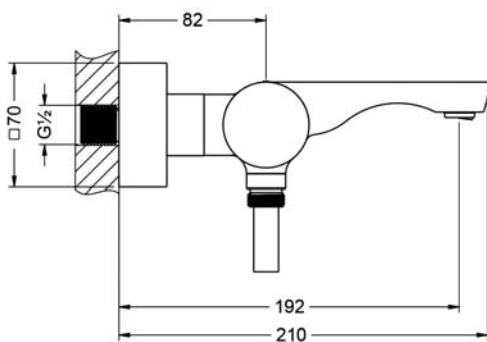
## CHARLESTON SQUARE

634.20.515.xxx

Exposed tub/shower mixer without shower set 1/2"



- wall mounting
- spout projection 192 mm
- fixed spout
- aerator M24x1
- manual tub/shower diverter
- cartridge with ceramic discs 1/2"
- concealed S-connections 1/2" x 3/4"

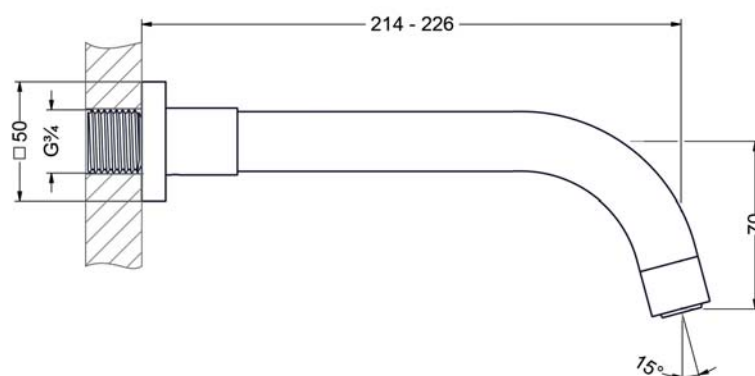


## CHARLESTON SQUARE

634.11.100.xxx

Tub wall spout 3/4"

- wall mounting
- spout projection 214-226 mm
- fixed spout
- aerator M22x1
- special concealed wall attachment





## CHARLESTON SQUARE

634.20.665.xxx

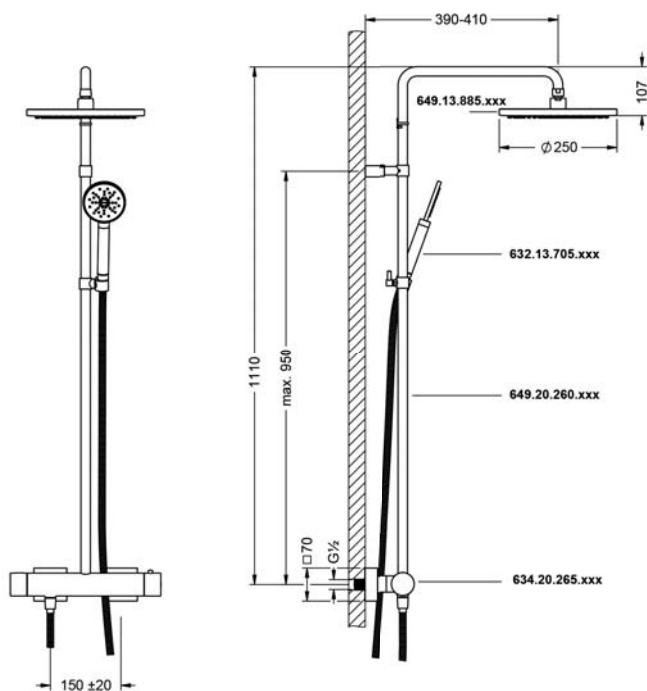
Exposed set with shower system 1/2"



- rain shower head 1/2", ø 250 mm
- flow rate of the rain shower head 11 l/min at 3 bar
- 3 mm ultra-thin, full metal body with ball joint and anticalcareous system
- supply pipe, diverter, wall bracket to connect the exposed shower mixer, projection 390 - 410 mm
- fitting for hand shower adjustable in height and inclination
- metal hand shower with anticalcareous system and backflow preventer
- flow rate hand shower 13,2 l/min at 3 bar
- metal shower hose 1500 mm, both sides with turning cone
- exposed shower mixer for supply pipe 1/2"
- single lever and diverter cartridge with ceramic discs 1/2"
- concealed S-connections 1/2" x 3/4"

### Consisting of:

- **649.13.885.xxx** | Rain shower head 1/2", ø 250 mm
- **649.20.260.xxx** | Supply pipe, diverter, wall bracket
- **632.13.705.xxx** | Shower combination, complete
- **634.20.615.xxx** | Exposed shower mixer for supply pipe 1/2"

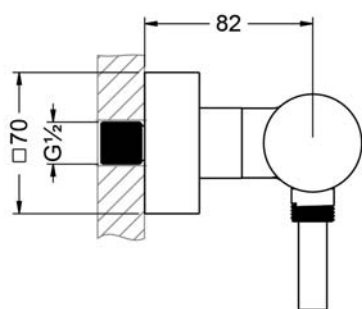


## CHARLESTON SQUARE

634.20.605.xxx

Single lever exposed shower mixer 1/2"

- wall mounting
- cartridge with ceramic discs 1/2"
- discharge 1/2"
- concealed S-connections 1/2" x 3/4"



## CHARLESTON SQUARE

634.20.465.xxx

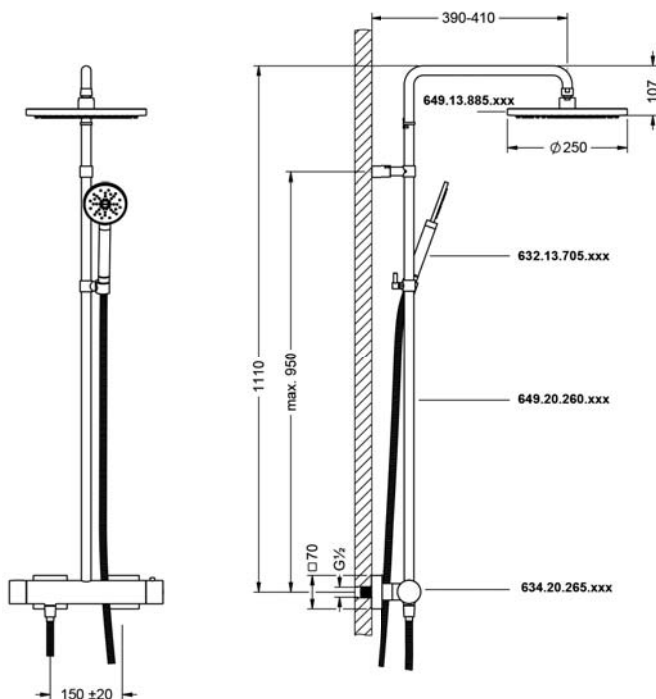
Exposed thermostat-set with shower system 1/2"



- rain shower head 1/2", ø 250 mm
- flow rate of the rain shower head 11 l/min at 3 bar
- full metal body with ball joint and anticalcareous system
- supply pipe, diverter, wall bracket to connect the exposed shower mixer, projection 390-410 mm
- fitting for hand shower adjustable in height and inclination
- metal hand shower with anticalcareous system and backflow preventer
- flow rate hand shower 13,2 l/min at 3 bar
- metal shower hose 1500 mm, both sides with turning cone
- exposed shower thermostat for supply pipe 1/2"
- cartridge with thermoelement
- locking device at 38 °C
- ceramic cartridge for flow control 1/2"
- discharge 1/2"
- concealed S-connections 1/2" x 3/4"

### Consisting of:

- **649.13.885.xxx** | Rain shower head 1/2", ø 250 mm
- **649.20.260.xxx** | Supply pipe, diverter, wall bracket
- **632.13.705.xxx** | Shower combination
- **634.20.265.xxx** | Exposed shower thermostat 1/2"



## CHARLESTON SQUARE

634.20.125.xxx

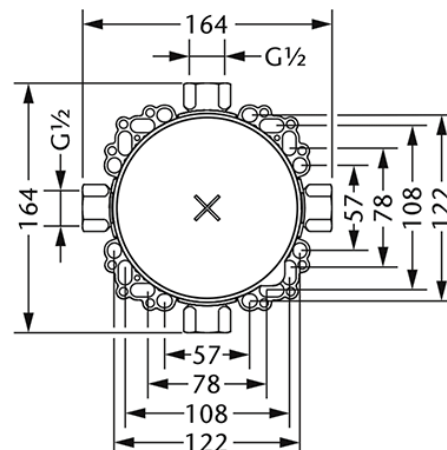
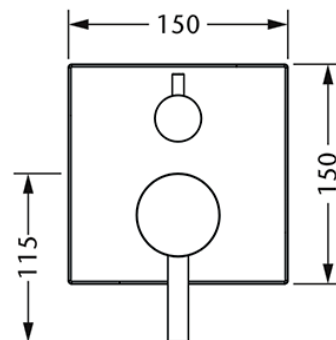
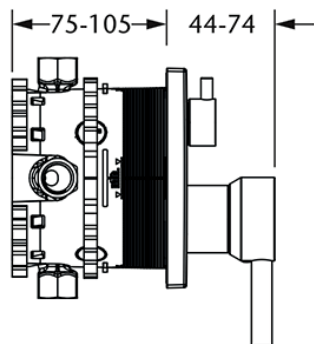
Concealed single lever wall tub and shower mixer, assembly set 1/2"



- manual two way diverter with ceramic cartridge for pressure-independent function
- with safety device
- flow rate 21 l/min at 3 bar

### Required:

- **649.40.360.000** | Concealed wall box 1/2"



## CHARLESTON SQUARE

634.20.135.xxx

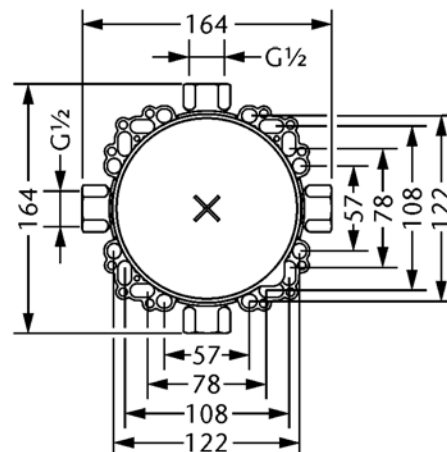
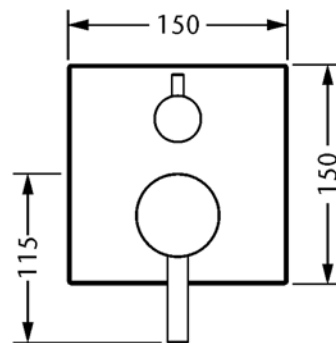
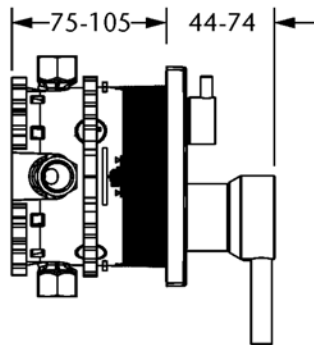
Concealed single lever wall tub and shower mixer, assembly set 1/2"



- manual two way diverter with ceramic cartridge for pressure-independent function
- without safety device
- flow rate 21 l/min at 3 bar

### Required:

- **649.40.360.000** | Concealed wall box 1/2"



## CHARLESTON SQUARE

634.20.235.xxx

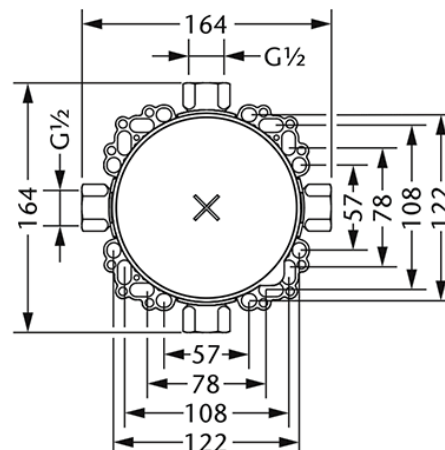
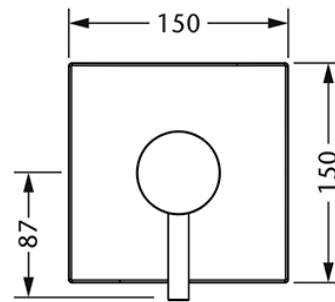
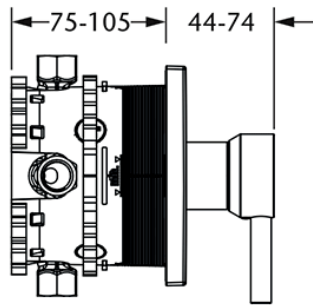
Concealed single lever shower mixer, assembly set 1/2"



- without diverter
- functional unit with ceramic discs
- flow rate 20,4 l/min at 3 bar

### Required:

- **649.40.360.000** | Concealed wall box 1/2"



## CHARLESTON SQUARE

634.40.380.xxx

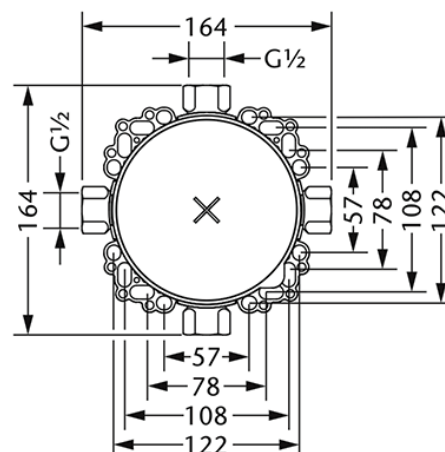
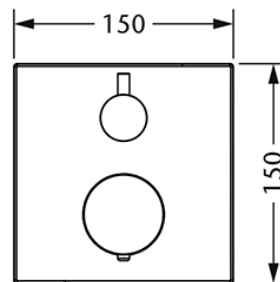
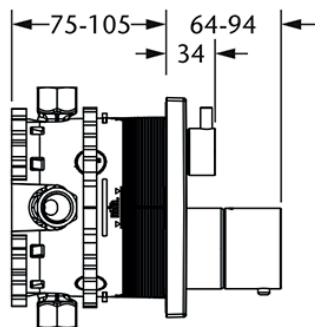
Concealed wall thermostat with flow control, assembly set 1/2"



- manual two way diverter with ceramic cartridge for pressure-independent function
- with integrated volume control
- with safety device
- flow rate 20,4 l/min at 3 bar

### Required:

- **649.40.360.000** | Concealed wall box 1/2"



## CHARLESTON SQUARE

634.40.360.xxx

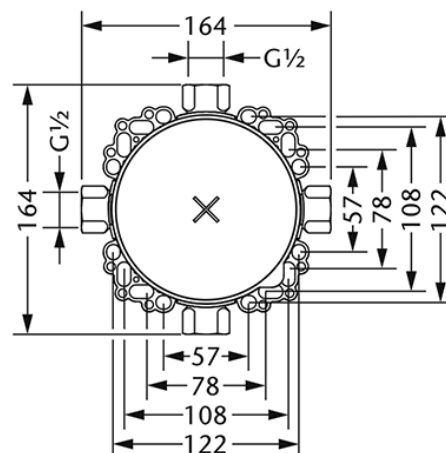
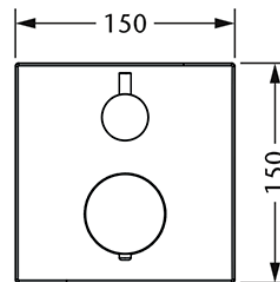
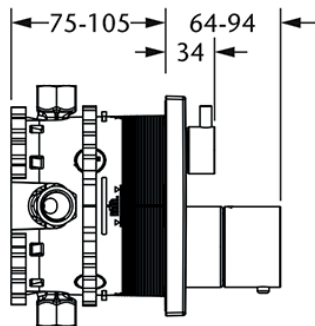
Concealed wall thermostat with flow control, assembly set 1/2"



- without diverter
- with integrated ceramic cartridge for volume control
- flow rate 20,4 l/min at 3 bar

### Required:

- **649.40.360.000** | Concealed wall box 1/2"





## CHARLESTON SQUARE

634.40.460.xxx

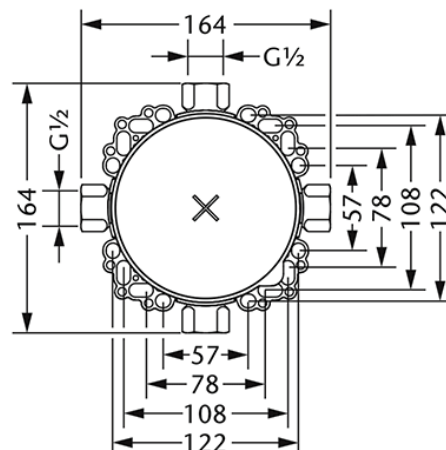
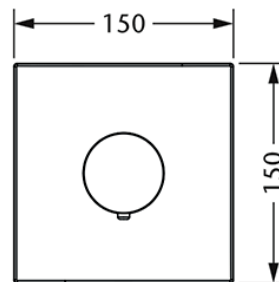
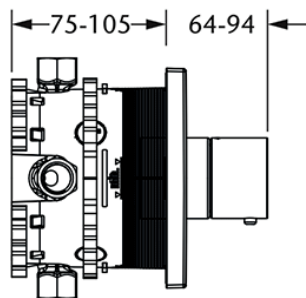
Concealed wall thermostat without flow control, assembly set 1/2"



- functional unit without diverter
- without shut-off
- without flow control
- flow rate 28,5 l/min at 3 bar

### Required:

- **649.40.360.000** | Concealed wall box 1/2"



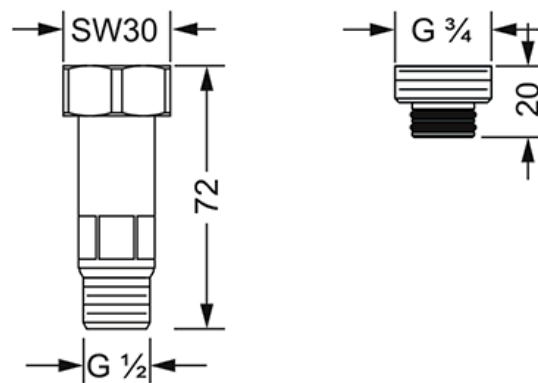
## CHARLESTON SQUARE

649.20.612.xxx

Connection adapter 1/2"



- connection adapter, end plug
- for connection 649.20.610.000, 649.20.620.000, 649.20.630.000 matching for wall box 649.40.360.000



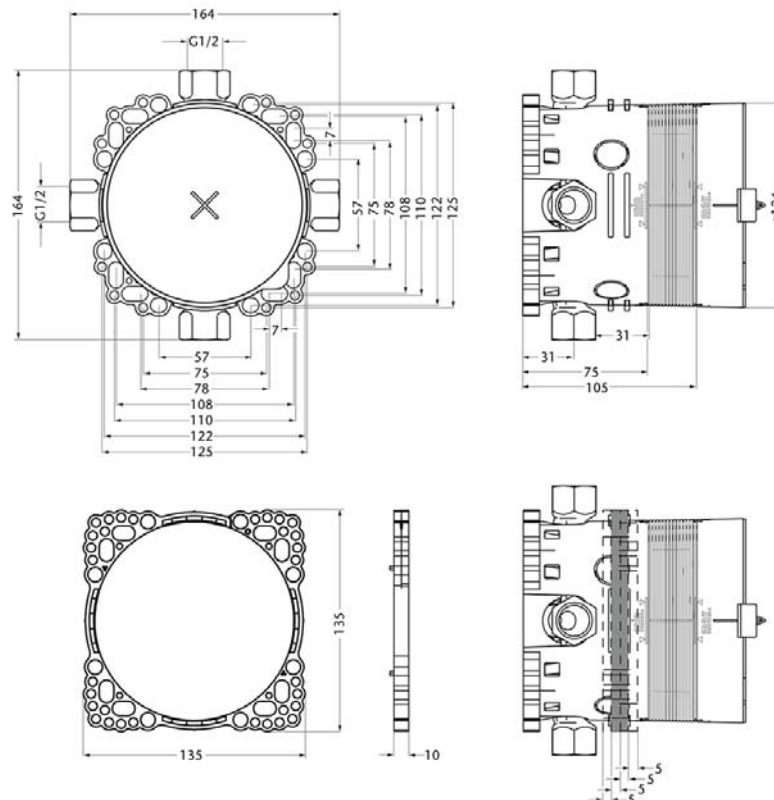
## CHARLESTON SQUARE

649.40.360.xxx

Concealed wall box 1/2"

- for installing concealed wall thermostats 1/2"
- for wetwall and drywall construction

**To order a complete unit, please order the concealed wall box with an assembly set.**



## CHARLESTON SQUARE

634.40.555.xxx

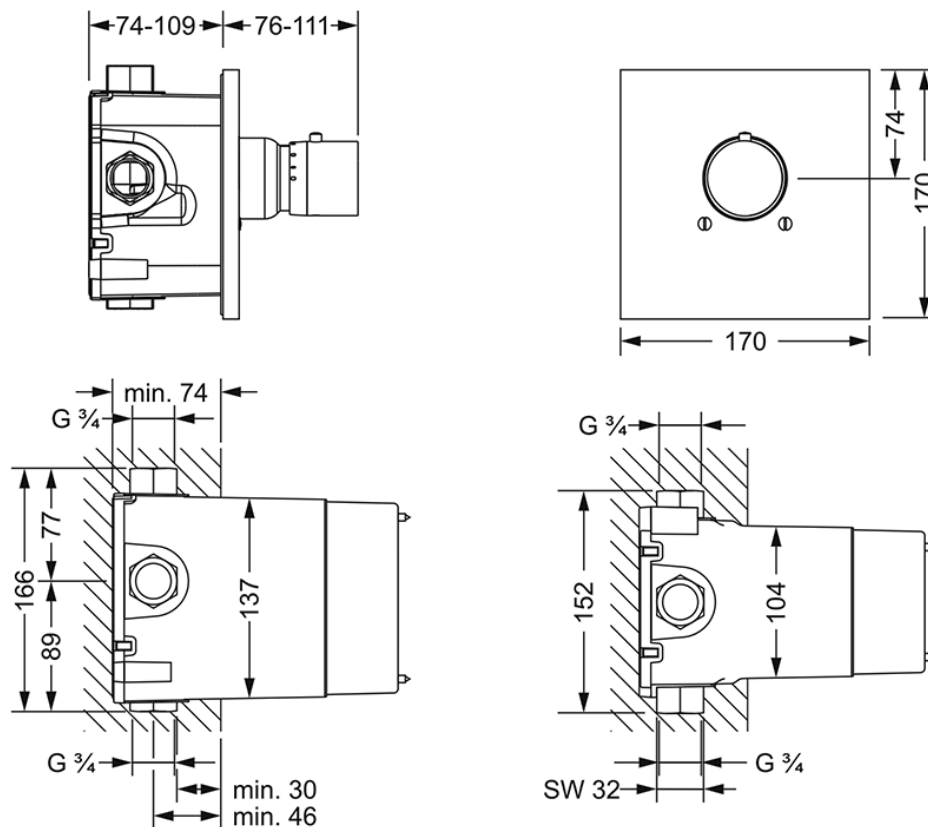
Concealed wall thermostat without flow control, assembly set  $\frac{3}{4}$ "



- without diverter
- design handle for temperature control
- locking device at 38 °C
- flow rate 64,2 l/min at 3 bar

### Required:

- **649.40.555.000** | Concealed thermostat body  $\frac{3}{4}$ "



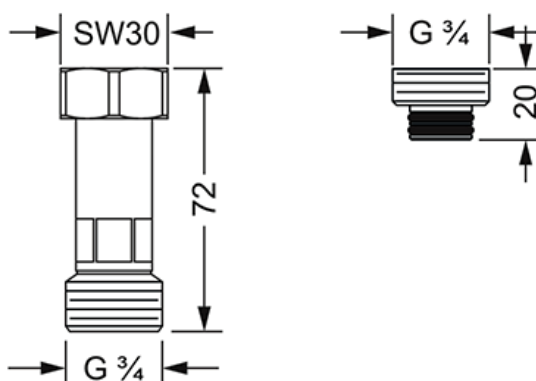
## CHARLESTON SQUARE

649.20.634.xxx

Connection adapter 3/4"



- connection adapter, end plug
- for connection 649.20.610.000, 649.20.620.000, 649.20.630.000 with thermostat body 649.40.555.000



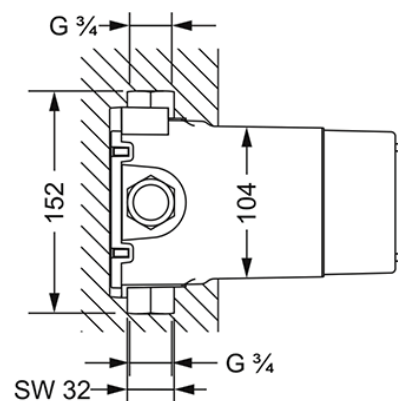
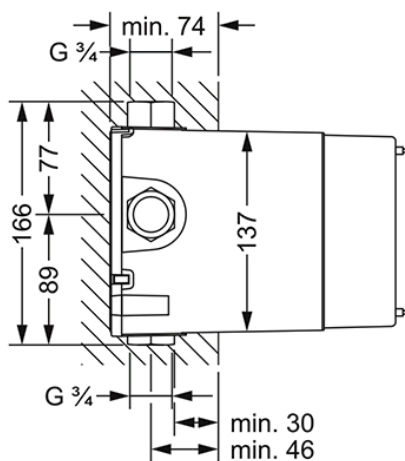
## CHARLESTON SQUARE

649.40.555.xxx

Concealed thermostat body  $\frac{3}{4}$ "



- for assembly set XXX.40.555.xxx
- cartridge with filter screens
- for wetwall and drywall construction
- without shut-off
- flow rate 64,2 l/min at 3 bar



## CHARLESTON SQUARE

634.40.520.xxx

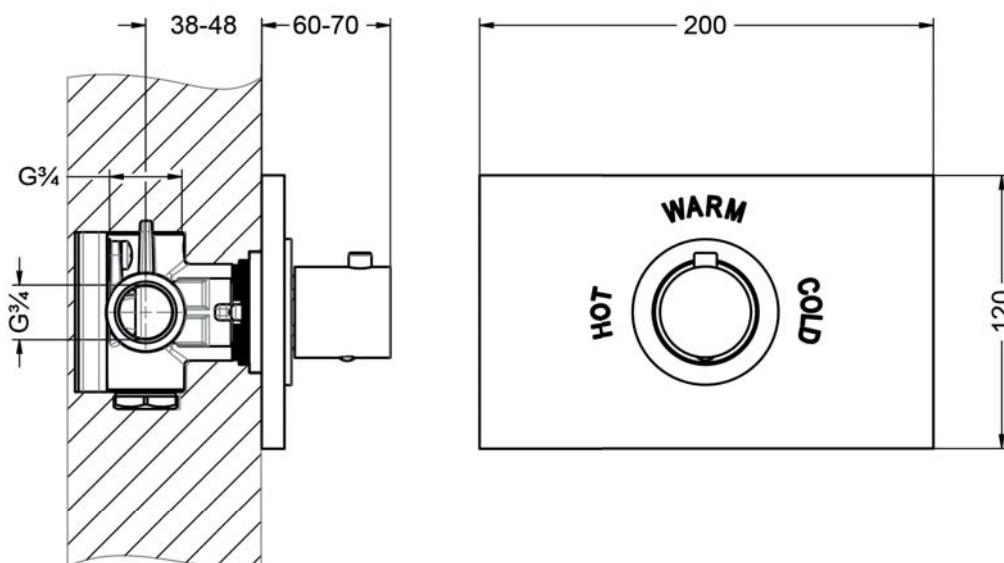
Concealed wall thermostat without flow control, assembly set  $\frac{3}{4}$ "



- without diverter
- design handle for temperature control
- locking device at 38 °C
- flow rate 41 l/min at 3 bar

### Required:

- **649.40.520.000** | Concealed thermostat body  $\frac{3}{4}$ "



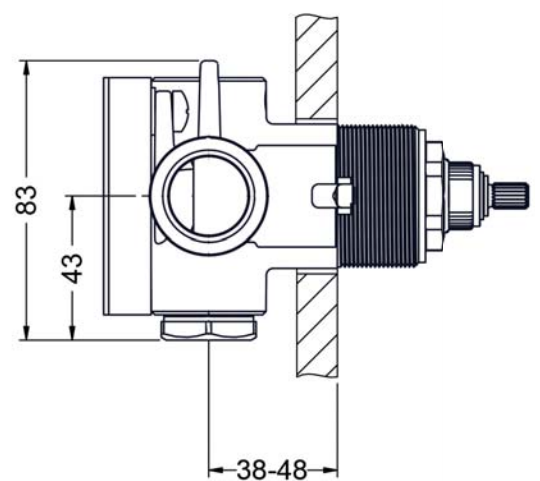
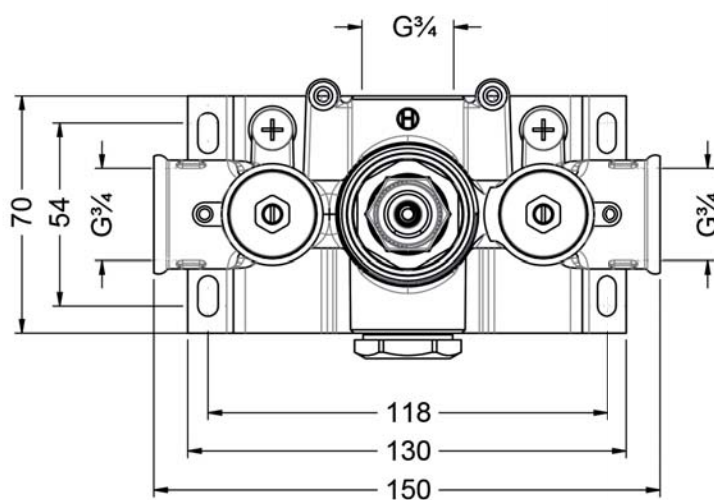
## CHARLESTON SQUARE

649.40.520.xxx

Concealed thermostat body  $\frac{3}{4}$ "



- for assembly set XXX.40.520.xxx
- flow rate 41 l/min at 3 bar
- cartridge with filter screens
- for wetwall and drywall construction
- without shut-off
- fast thermal element shut-down in case of cold water loss, fast response time to reduce hot and cold spikes
- complete with mud guard for installation





## CHARLESTON SQUARE

634.50.234.xxx

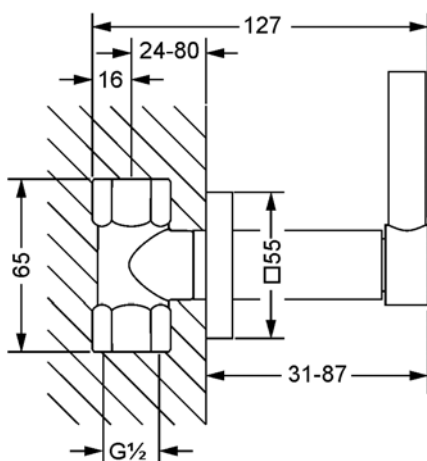
Concealed wall valve, assembly set



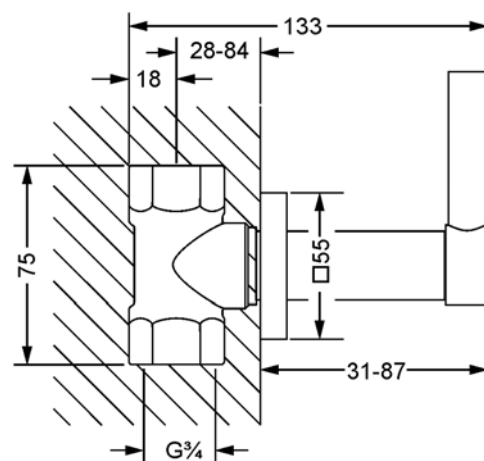
- design handle
- socket with adjustable
- escutcheon
- flow rate for 1/2" 17 l/min at 3 bar
- flow rate for 3/4" 21 l/min at 3 bar

### Required:

- **649.20.350.000** | Concealed wall valve 1/2", body, clockwise closure
- **649.20.355.000** | Concealed wall valve 1/2", body, counter-clockwise closure
- **649.20.450.000** | Concealed wall valve 3/4", body, clockwise closure
- **649.20.455.000** | Concealed wall valve 3/4", body, counter-clockwise closure



mit Einbaukörper / with concealed body 1/2"



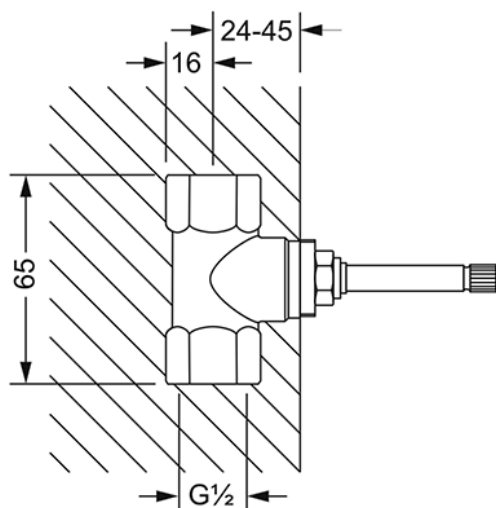
mit Einbaukörper / with concealed body 3/4"

## CHARLESTON SQUARE

649.20.350.xxx

Concealed wall valve 1/2", body

- clockwise closure
- ceramic discs 1/2"
- flow rate 17 l/min at 3 bar



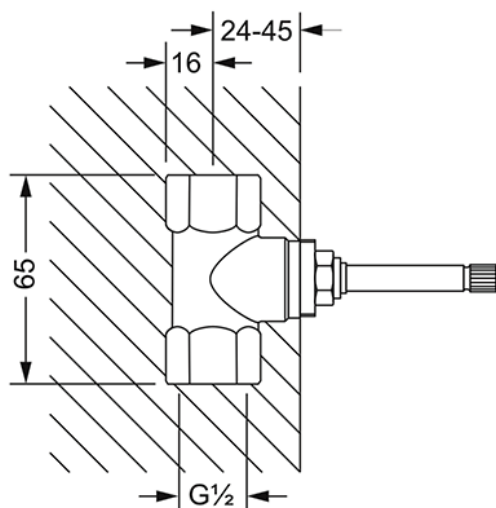
Einbaukörper 1/2"

## CHARLESTON SQUARE

649.20.355.xxx

Concealed wall valve 1/2", body

- counter-clockwise closure
- ceramic discs 1/2"
- flow rate 17 l/min at 3 bar



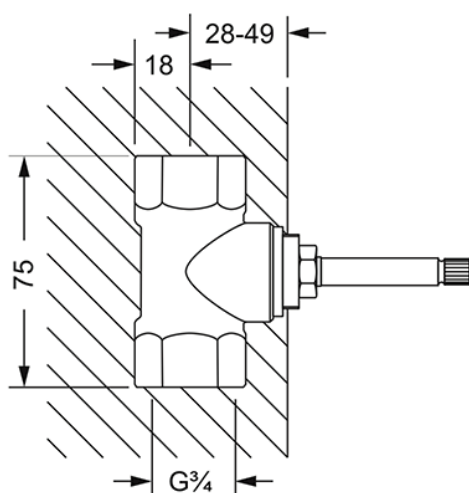
Einbaukörper 1/2"

## CHARLESTON SQUARE

649.20.450.xxx

Concealed wall valve  $\frac{3}{4}$ ", body

- clockwise closure
- ceramic discs  $\frac{3}{4}$ "
- flow rate 21 l/min at 3 bar



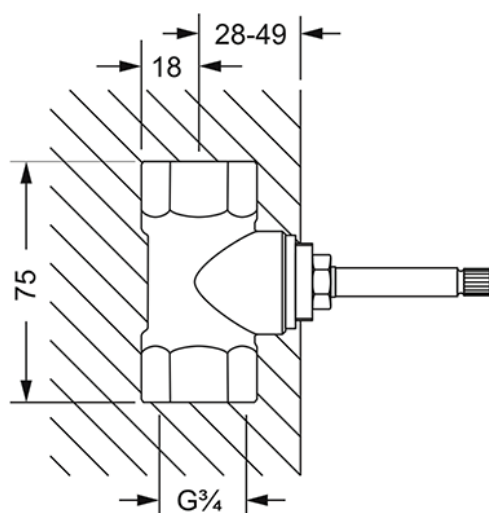
Einbaukörper  $\frac{3}{4}$ "

## CHARLESTON SQUARE

649.20.455.xxx

Concealed wall valve  $\frac{3}{4}$ ", body

- counter-clockwise closure
- ceramic discs  $\frac{3}{4}$ "
- flow rate 21 l/min at 3 bar



Einbaukörper  $\frac{3}{4}$ "

## CHARLESTON SQUARE

634.60.432.xxx

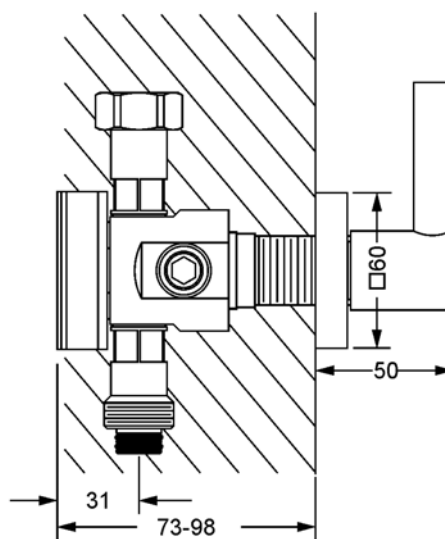
Concealed wall-valve-modul assembly set



- design handle
- escutcheon
- spindle valve  $\frac{3}{4}$ ", clockwise closure with ceramic discs
- flow rate look at installation body

### Required:

- **649.20.610.000** | Concealed wall-valve-modul, single
- **649.20.620.000** | Concealed wall-valve-modul, double
- **649.20.630.000** | Concealed wall-valve-modul, triple



## CHARLESTON SQUARE

649.20.610.xxx

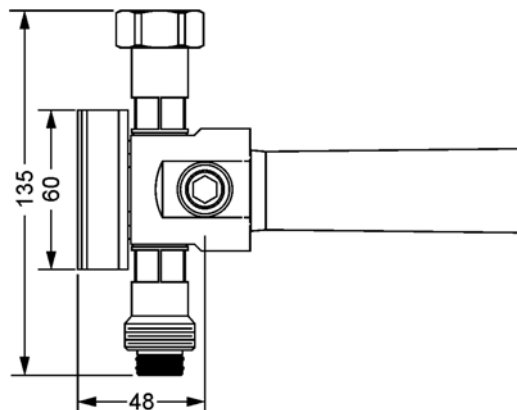
Concealed wall-valve-modul, single



- 2 outlets  $\frac{1}{2}$ " , each 1x right/left possible, simultaneously usable
- the module can be used as a water outlet in the installation and can be extended by the desired number of valves
- the module is supplied with brackets for wall mounting
- flow rate with  $\frac{1}{2}$ " thermostat  $\varnothing$  27,6 l/min at 3 bar
- flow rate with  $\frac{3}{4}$ " thermostat  $\varnothing$  39,2 l/min at 3 bar

**For the connection to the concealed part of the thermostat is required:**

- **649.20.612.000** | adapter  $\frac{1}{2}$ " or
- **649.20.634.000** | adapter  $\frac{3}{4}$ "



## CHARLESTON SQUARE

649.20.620.xxx

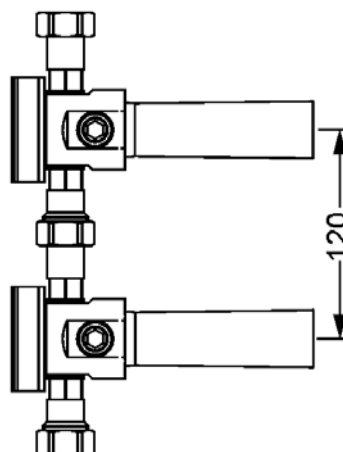
Concealed wall-valve-modul, double



- 4 outlets ½", each 2x right/left possible, simultaneously usable
- precise assembly due to composite
- the module can be used as a water outlet in the installation and can be extended by the desired number of valves
- the module is supplied with brackets for wall mounting
- flow rate with ½" thermostat ø 32,6 l/min at 3 bar
- flow rate with ¾" thermostat ø 52,7 l/min at 3 bar

**For the connection to the concealed part of the thermostat is required:**

- **649.20.612.000** | adapter ½" or
- **649.20.634.000** | adapter ¾"





## CHARLESTON SQUARE

649.20.630.xxx

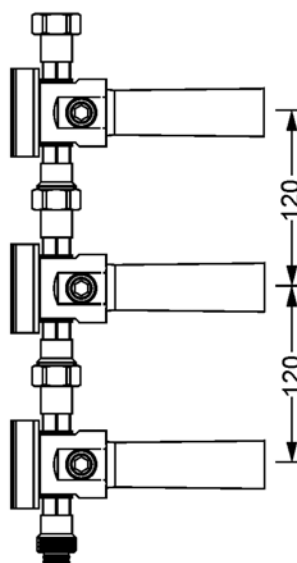
Concealed wall-valve-modul, triple



- 6 outlets ½", each 3x right/left possible, simultaneously usable
- precise assembly due to composite
- the module can be used as a water outlet in the installation and can be extended by the desired number of valves
- the module is supplied with brackets for wall mounting
- flow rate with ½" thermostat ø 33 l/min at 3 bar
- flow rate with ¾" thermostat ø 55,5 l/min at 3 bar

**For the connection to the concealed part of the thermostat is required:**

- **649.20.612.000** | adapter ½" or
- **649.20.634.000** | adapter ¾"



## CHARLESTON SQUARE

634.40.650.xxx

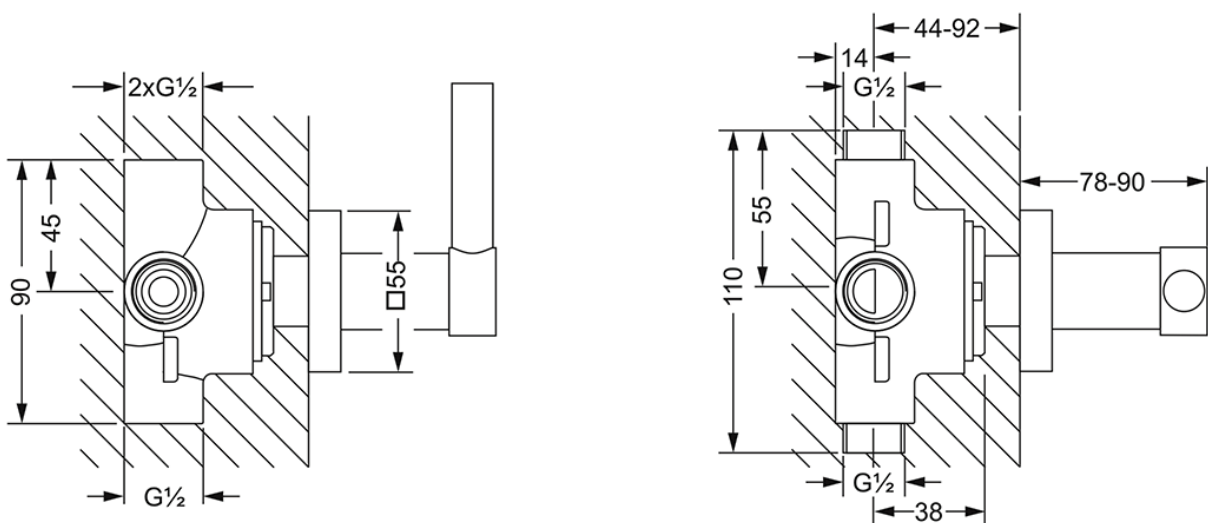
Concealed 3-position diverter assembly set 1/2"



- design handle
- socket with adjustable escutcheon
- flow rate 52 l/min at 3 bar

### Required:

- **649.40.600.000** | Concealed 3-position diverter 1/2", diverter body

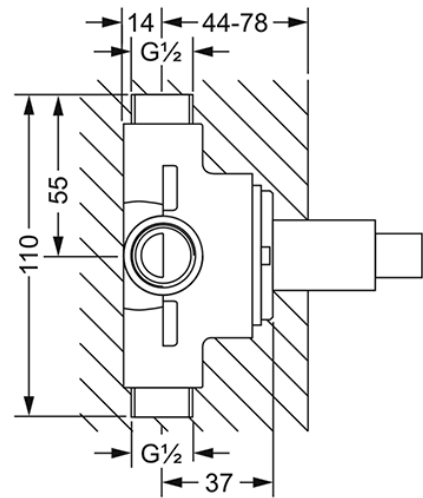
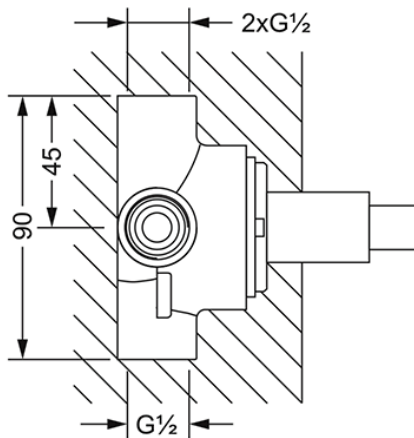


## CHARLESTON SQUARE

649.40.600.xxx

Concealed 3-position diverter 1/2" diverter body

- for assembly set XXX.40.650.xxx
- flow rate 52 l/min at 3 bar



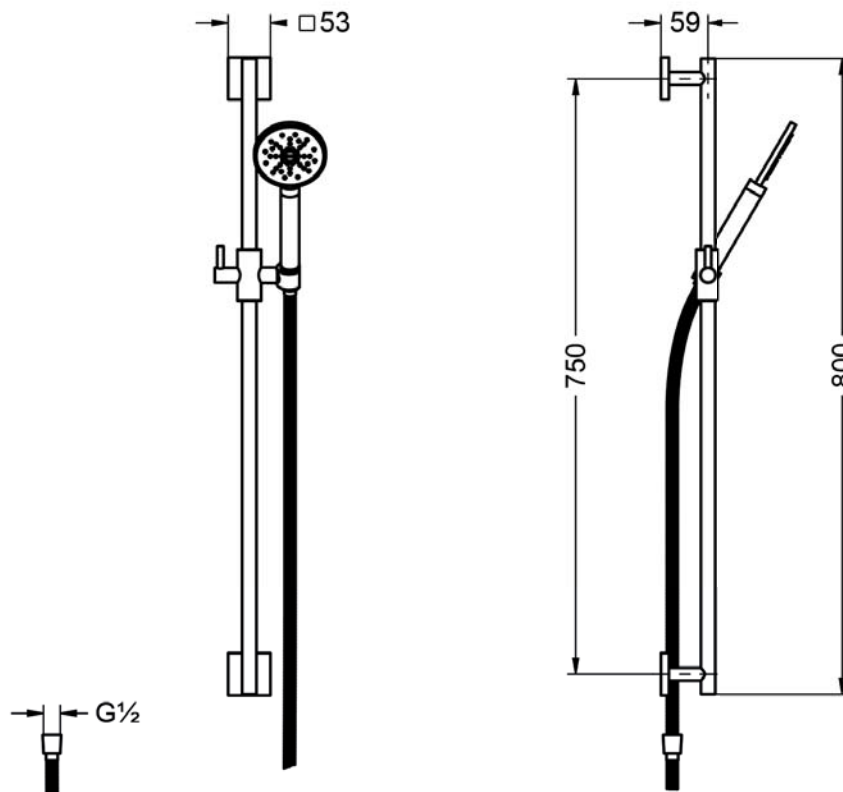
## CHARLESTON SQUARE

634.13.305.xxx

Shower bar set, complete



- wall mounting
- wall bar 800 mm, with slider
- metal hand shower with anticalcareous system and backflow preventer
- flow rate hand shower 13,2 l/min at 3 bar
- metal shower hose 1750 mm, bothsides with turning cone



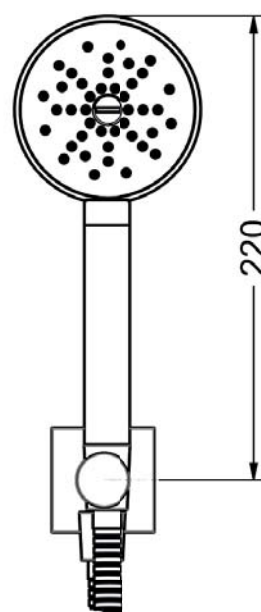
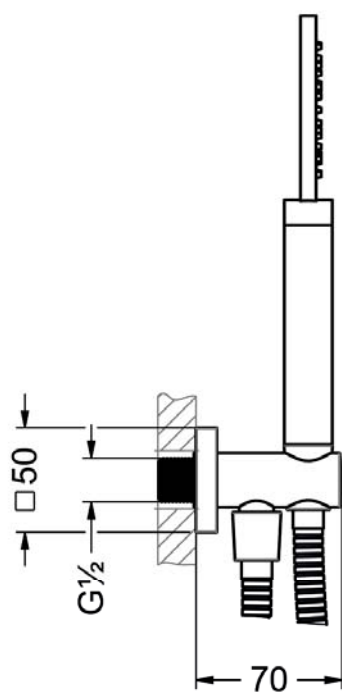
## CHARLESTON SQUARE

634.13.215.xxx

Shower combination 1/2"



- wall fitting and elbow connection 1/2"
- metal hand shower with anticalcareous system and backflow preventer
- flow rate hand shower 13,2 l/min at 3 bar
- metal shower hose 1500 mm, both sides with turning cone

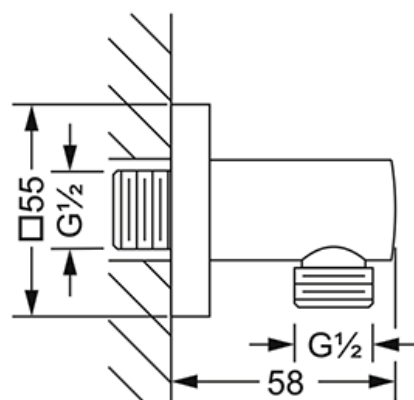


## CHARLESTON SQUARE

634.13.150.xxx

Wall elbow connection without cradle 1/2"

- wall mounting
- discharge 1/2"
- with backflow preventer
- escutcheon

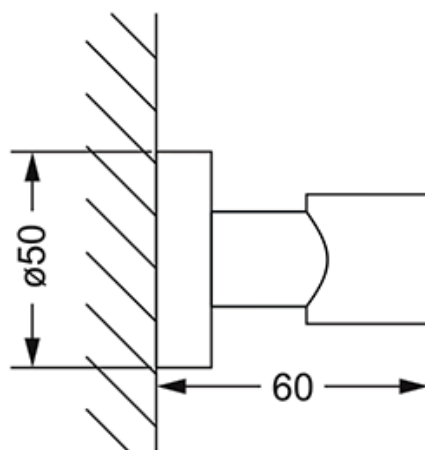


## CHARLESTON SQUARE

649.13.230.xxx

Wall fitting for hand shower

- wall mounting
- escutcheon  $\varnothing$  50 mm

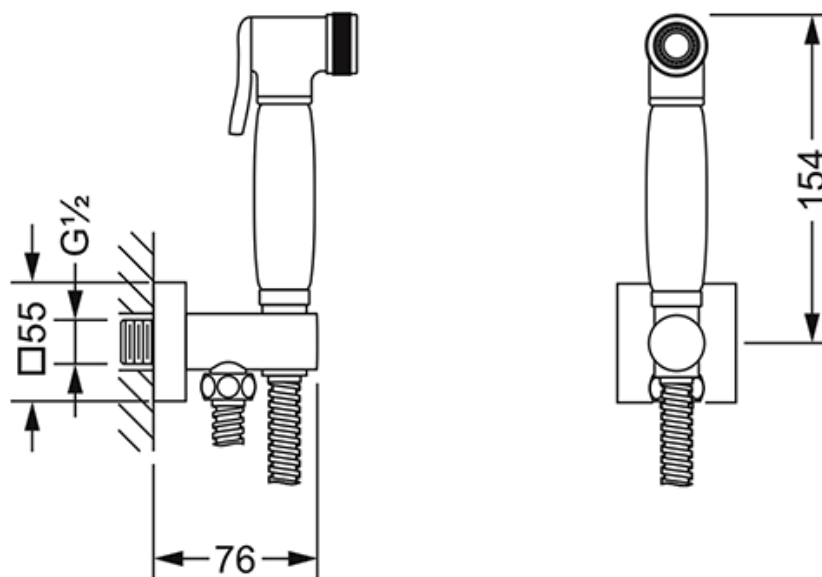


## CHARLESTON SQUARE

634.13.237.xxx

Ablution spray combination 1/2"

- wall fitting and elbow connection 1/2"
- spray handshower 649.13.337.xxx, completely metal
- one jet, push-lever operation
- flexible metal shower hose 1250 mm
- flow rate with water limitation 6,9 l/min





## CHARLESTON SQUARE

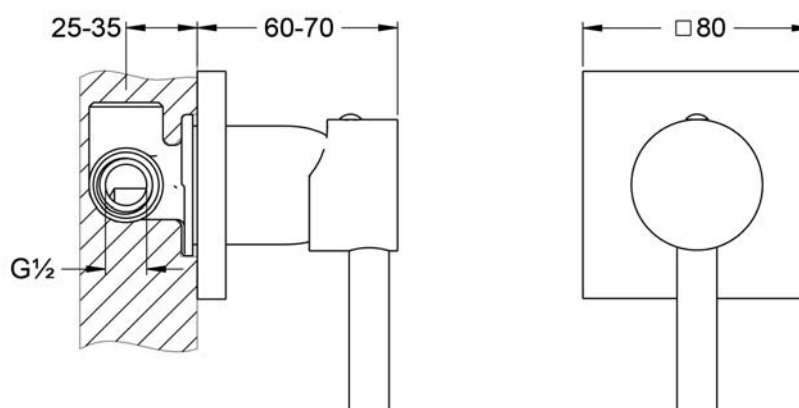
634.20.237.xxx

Concealed single lever for ablution spray, assembly set 1/2"

- design handle
- escutcheon
- flow rate 26 l/min at 3 bar

### Required:

- **649.20.237.000** | Single lever mixer 1/2", concealed body

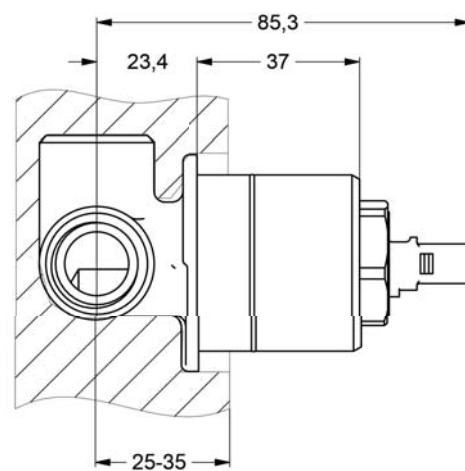
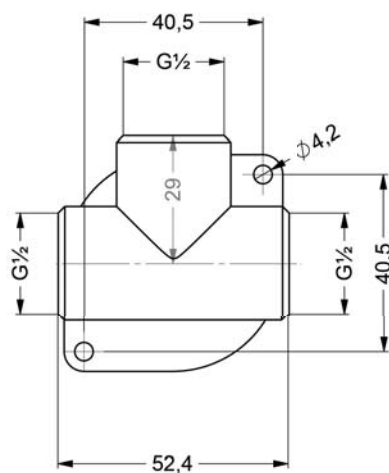


## CHARLESTON SQUARE

649.20.237.xxx

Single lever mixer 1/2", concealed body

- cartridge with ceramic discs 1/2"
- for assembly set XXX.20.237.xxx
- flow rate 26 l/min at 3 bar



## CHARLESTON SQUARE

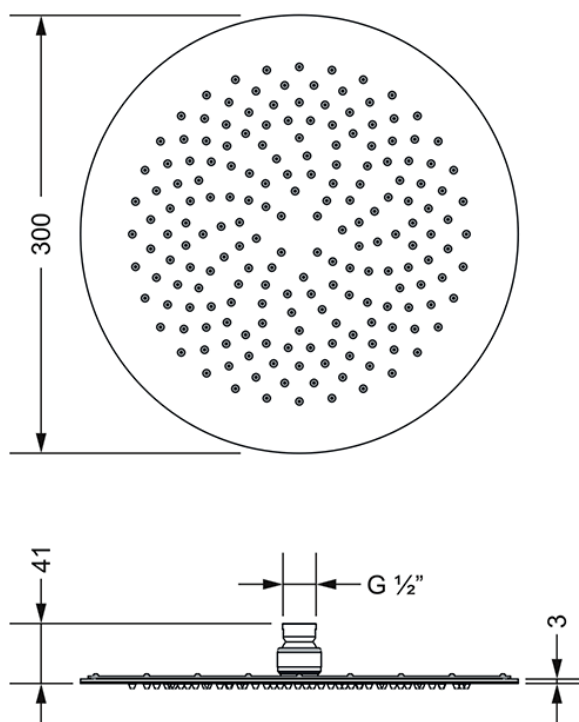
649.13.845.xxx

Rain shower head 1/2", ø 300 mm



- full metal body
- 3 mm ultra-thin
- with ball joint
- with anticalcareous system
- without wall bracket
- flow rate 12 l/min at 3 bar

**Please order wall or ceiling bracket with the rain shower head separately.**

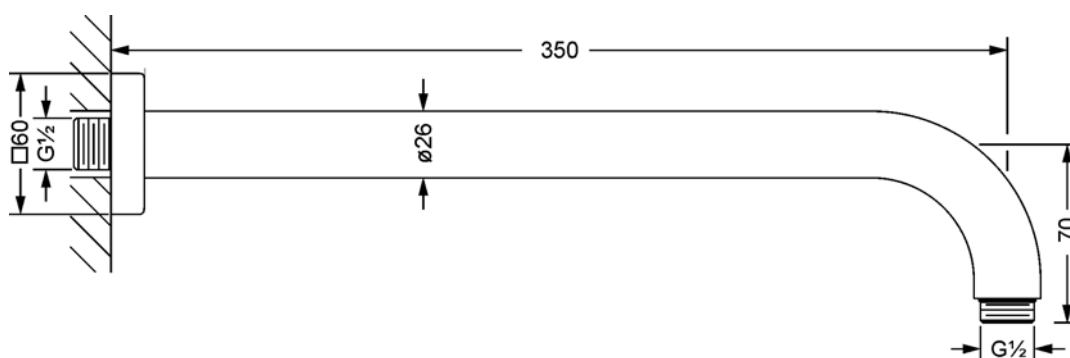


## CHARLESTON SQUARE

649.13.756.xxx

Wall bracket 1/2"

- wall mounting
- spout projection 350 mm



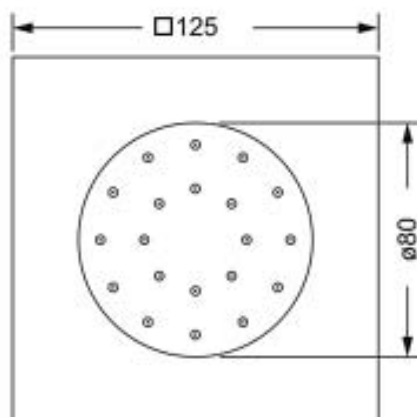
## CHARLESTON SQUARE

649.13.526.xxx

Body spray side shower 1/2"



- wall mounting
- escutcheon 125 x 125 mm
- material: plastic
- swivel shower head, 20°
- anticalcareous system
- flow rate 3,6 l/min at 3 bar



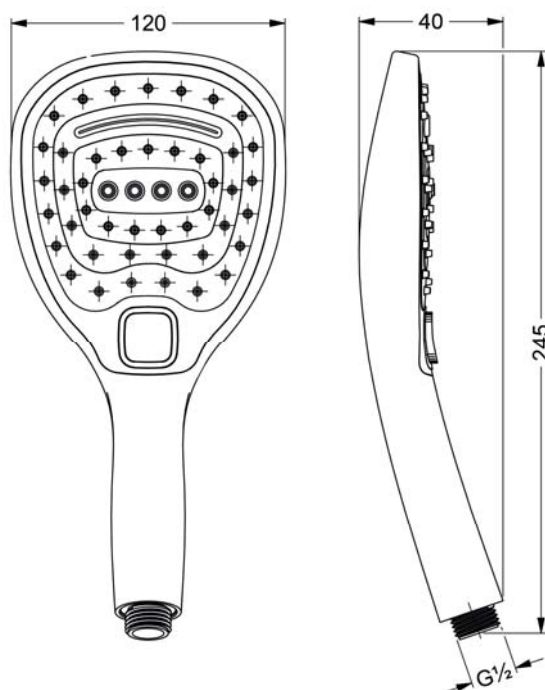
## CHARLESTON SQUARE

649.13.381.xxx

Hand shower 1/2"



- material plastic
- anticalcareous system
- connection 1/2"
- with 3 jets: normal, soft, cascade
- flow rate 8,6 l/min at 3 bar

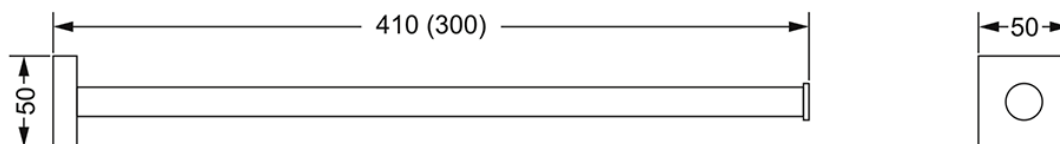


## CHARLESTON SQUARE

634.00.002.xxx

Towel bar

- wall model
- rigid bar
- single
- approx. 410 mm

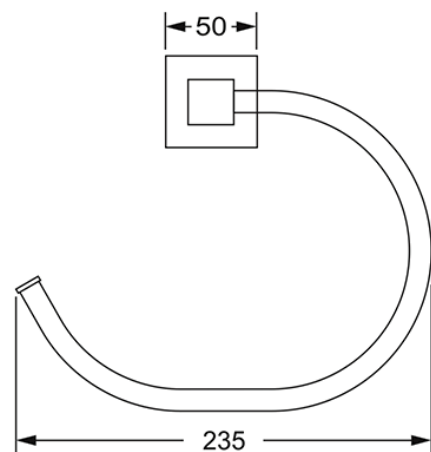
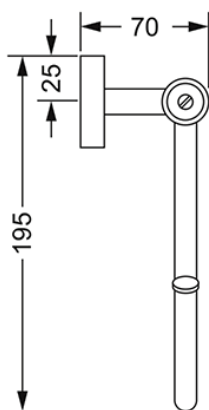


## CHARLESTON SQUARE

634.00.047.xxx

Towel ring

- wall model
- $\varnothing$  approx. 235 mm
- open version





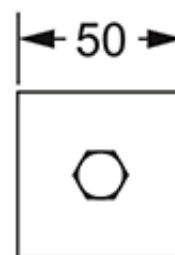
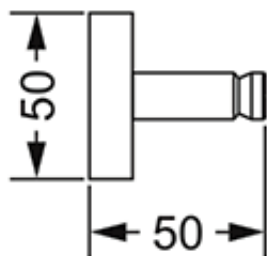
## CHARLESTON SQUARE

634.00.022.xxx

Robe hanger

---

- wall model
- single

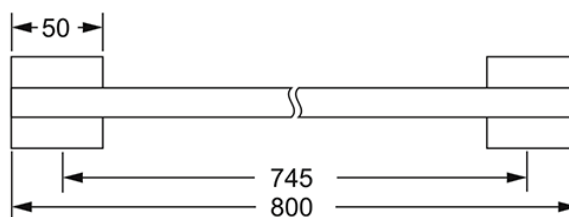
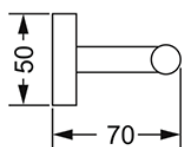


## CHARLESTON SQUARE

634.00.040.xxx

Bath towel bar

- wall model
- approx. 745 mm



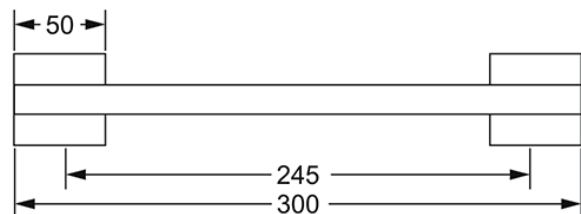
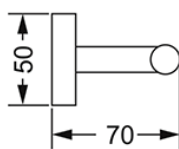
## CHARLESTON SQUARE

634.00.031.xxx

Tub handle

---

- wall model
- approx. 245 mm

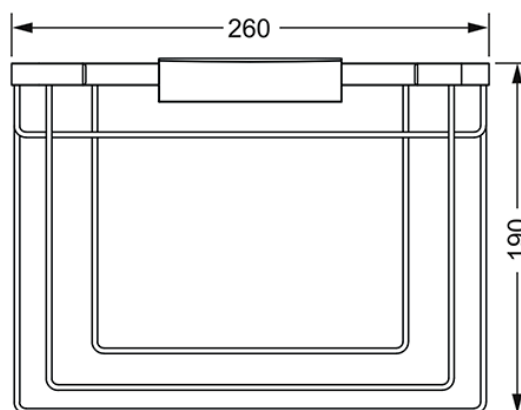
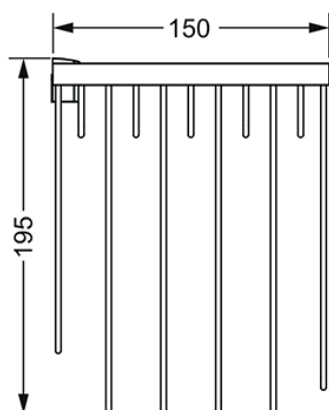


## CHARLESTON SQUARE

634.00.104.xxx

Guest towel basket, angular

- wall model
- upper basket for clean towels
- bottom basket for used towels
- basket size 260 x 150 x 190 mm

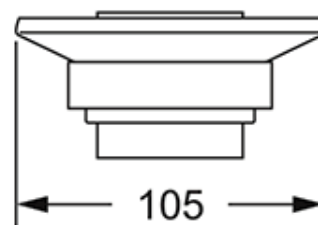
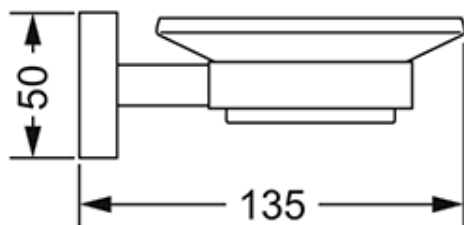


## CHARLESTON SQUARE

634.00.007.xxx

Soap dish holder, complete

- wall model
- crystal glass dish, clear

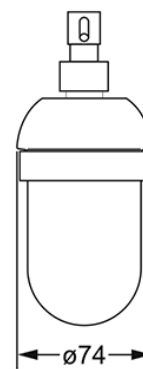
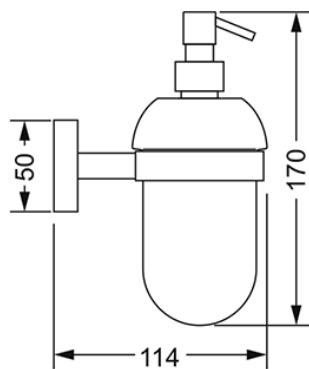


## CHARLESTON SQUARE

634.00.006.xxx

Soap dispenser, complete

- wall model
- crystal glass, frosted

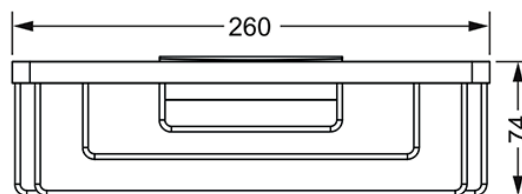
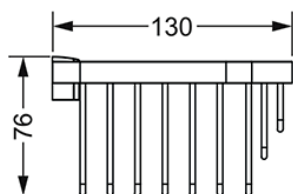


## CHARLESTON SQUARE

634.00.105.xxx

Sponge basket

- wall model
- rectangular
- 260 x 130 mm

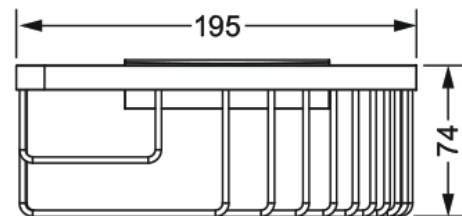
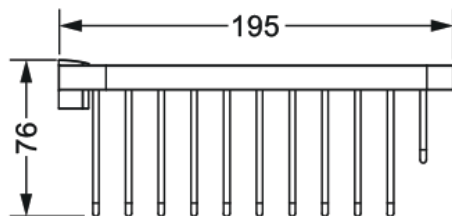


## CHARLESTON SQUARE

634.00.106.xxx

Corner sponge basket

- wall model
- triangular
- 195 x 195 mm



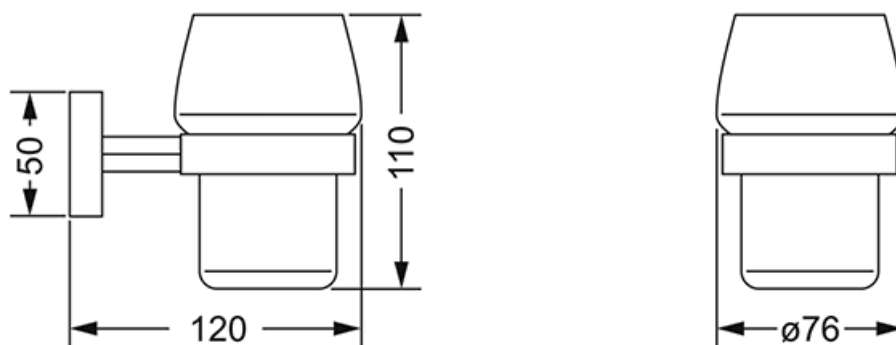


## CHARLESTON SQUARE

634.00.036.xxx

Tumbler holder, complete

- wall model
- crystal glass tumbler

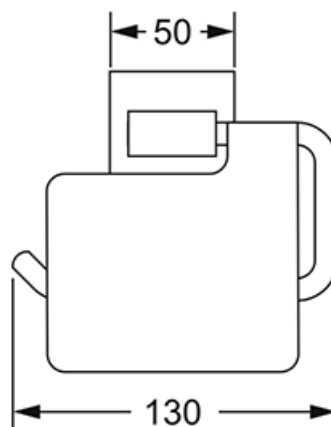
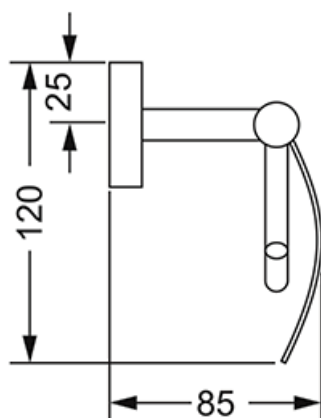


## CHARLESTON SQUARE

634.00.014.xxx

Toilet paper roll holder

- wall model
- with lid

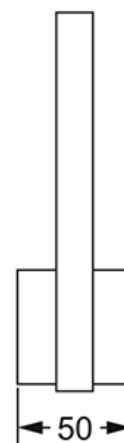
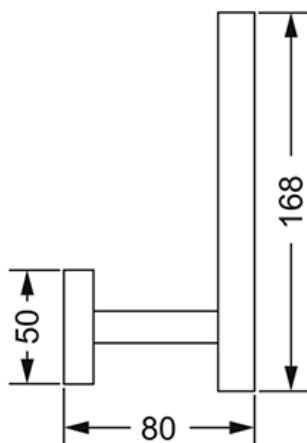


## CHARLESTON SQUARE

634.00.015.xxx

Spare toilet paper roll holder

- wall model
- for a spare roll of paper

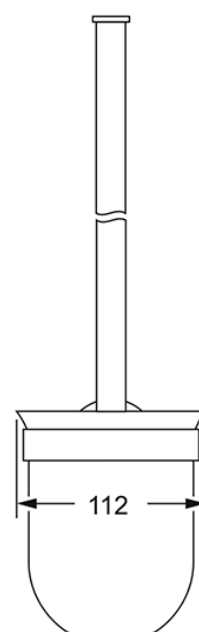
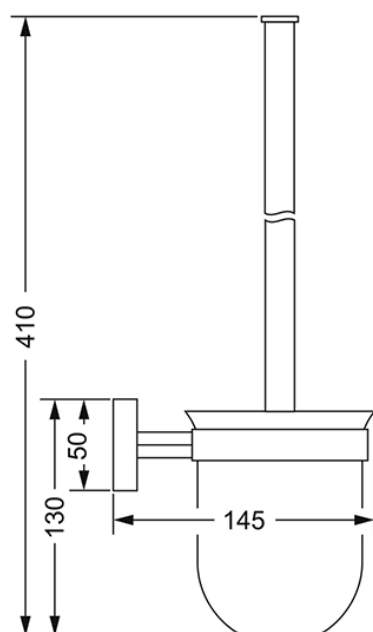


## CHARLESTON SQUARE

634.00.000.xxx

Toilet brush holder set, complete

- wall model
- crystal glass, frosted



## CHARLESTON SQUARE

649.00.418.xxx

Cosmetic mirror, inclusive lighting



- wall model
- swivelling and extendable
- magnification 3:1
- direct connection
- mirror  $\varnothing$  185 mm
- frame  $\varnothing$  250 mm
- touch control of the background light

