

CHARLESTON ROYAL

619.30.300.xxx

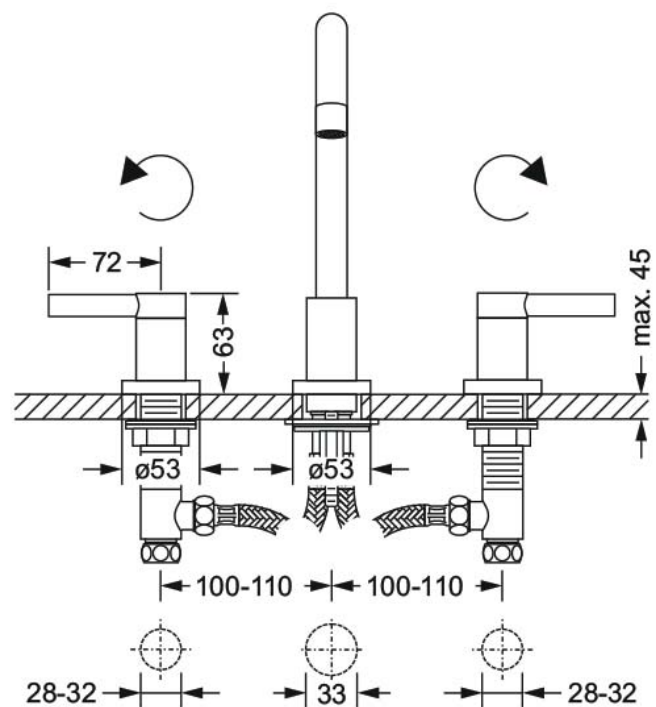
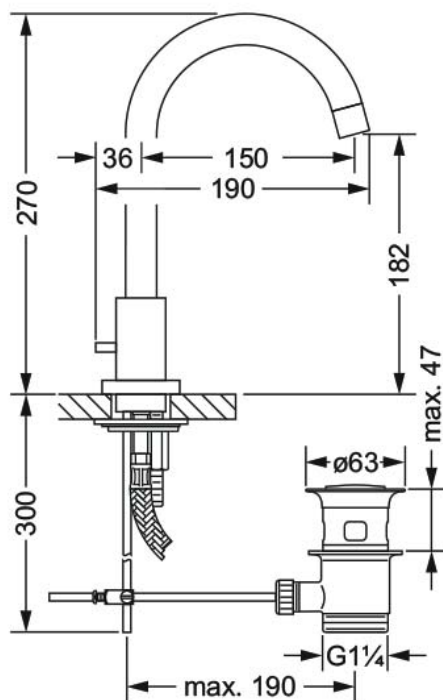
Washbasin 3-hole mixer 1/2"



- spout projection 150 mm
- height 270 mm
- aerator M18 x 1
- swivelling spout
- 2 side valves with ceramic internal upper part 1/2", clockwise and counter-clockwise closure
- pop-up waste 1 1/4"
- 2 flexible hoses M10 x 1 x 1/2" x 150 mm

Recommended:

- 2x 649.15.530.xxx | copper tube 300 mm



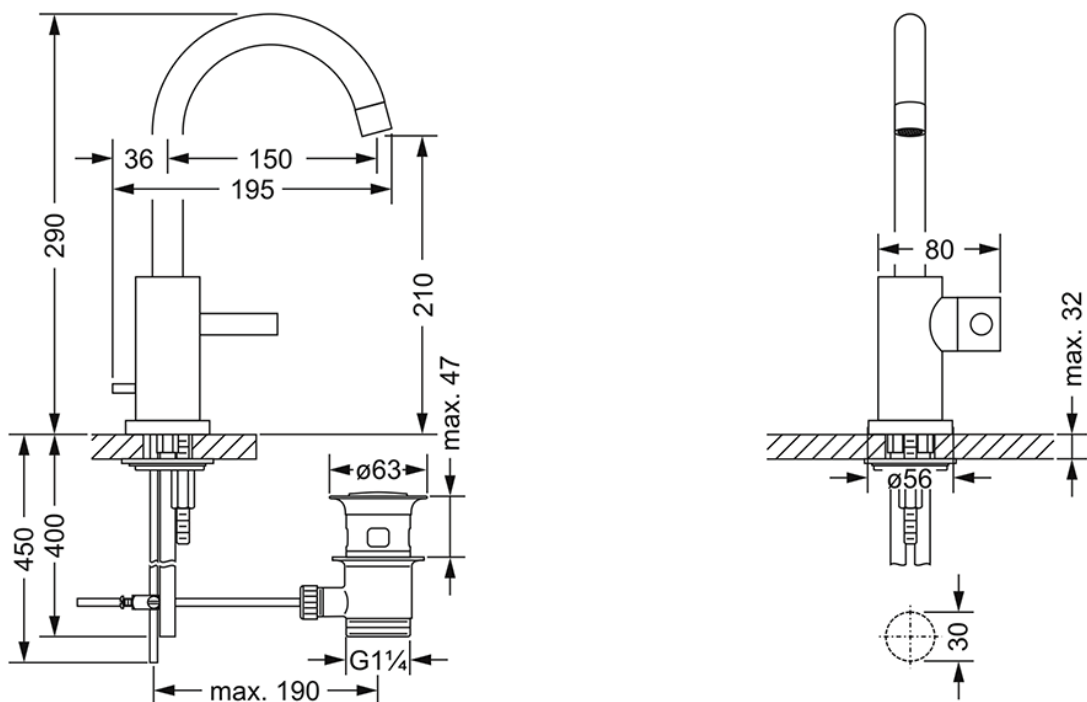
CHARLESTON ROYAL

619.10.333.xxx

Single lever washbasin mixer 1/2"



- spout projection 150 mm
- height 290 mm
- swivelling spout
- aerator M18 x 1
- cartridge with ceramic discs 1/2"
- pop-up waste 1 1/4"
- 2 copper tubes M10x1 x 400 mm



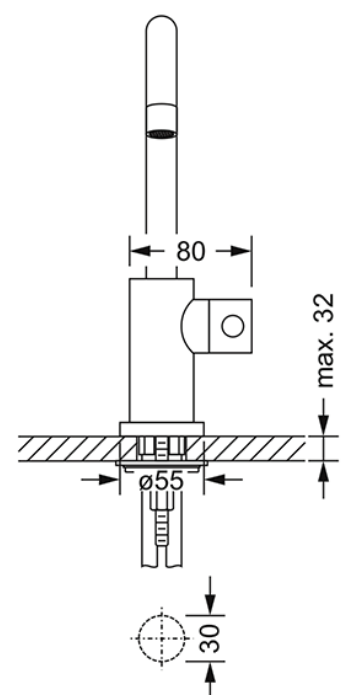
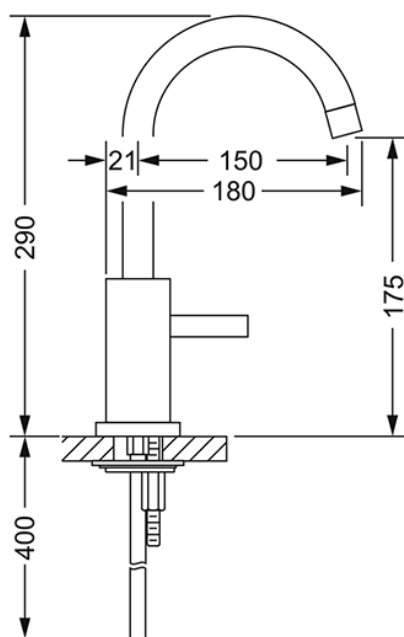
CHARLESTON ROYAL

619.10.334.xxx

Single lever washbasin mixer 1/2"



- spout projection 150 mm
- height 290 mm
- swivelling spout
- aerator M18 x 1
- cartridge with ceramic discs 1/2"
- without pop-up waste
- 2 copper tubes M10x1 x 400 mm



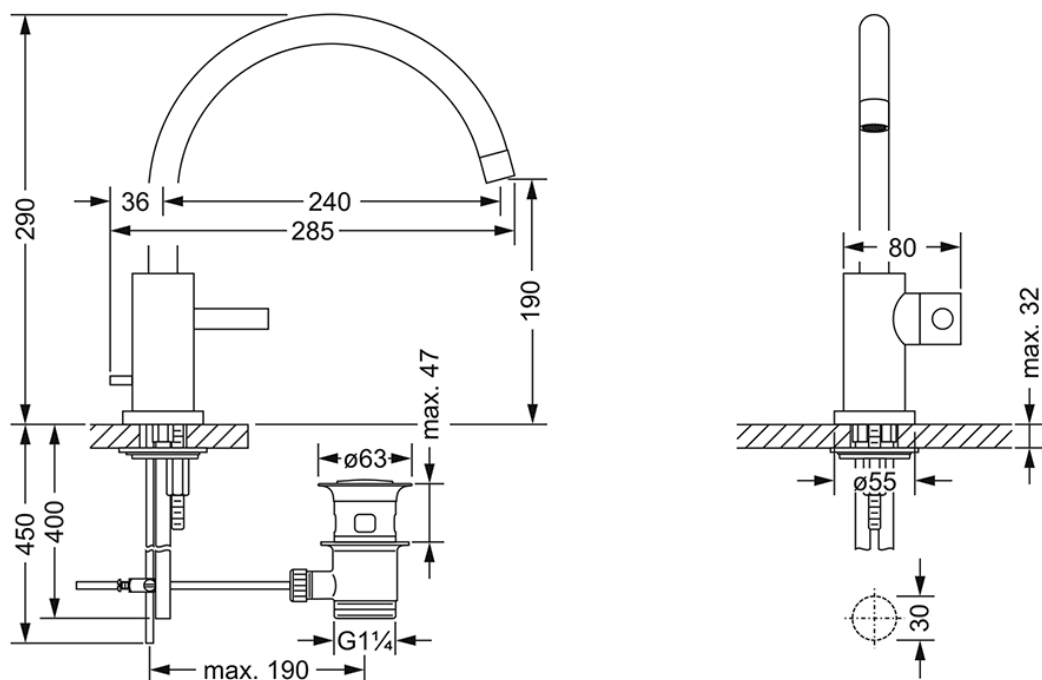
CHARLESTON ROYAL

619.10.353.xxx

Single lever washbasin mixer 1/2", XXL



- spout projection 240 mm
- height 290 mm
- swivelling spout
- aerator M18 x 1
- cartridge with ceramic discs 1/2"
- pop-up waste 1 1/4"
- 2 copper tubes M10x1 x 400 mm



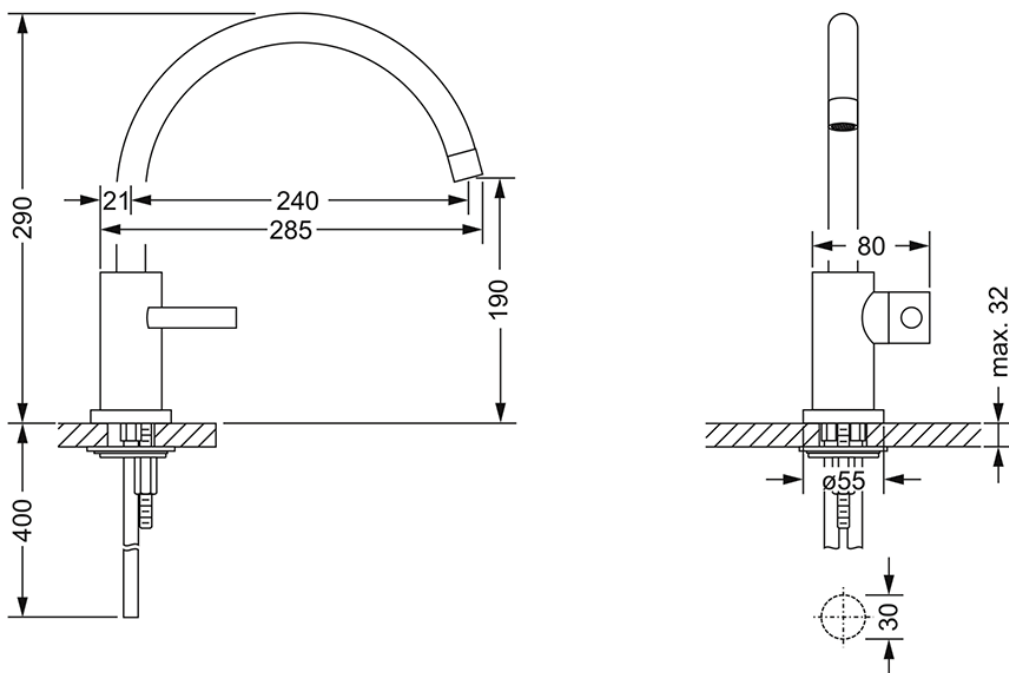
CHARLESTON ROYAL

619.10.354.xxx

Single lever washbasin mixer 1/2", XXL



- spout projection 240 mm
- height 290 mm
- swivelling spout
- aerator M18 x 1
- cartridge with ceramic discs 1/2"
- without pop-up waste
- 2 copper tubes M10x1 x 400 mm



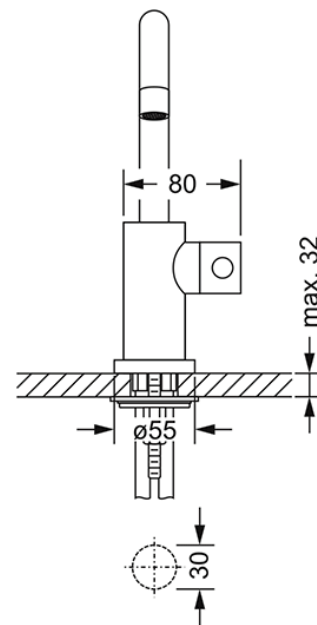
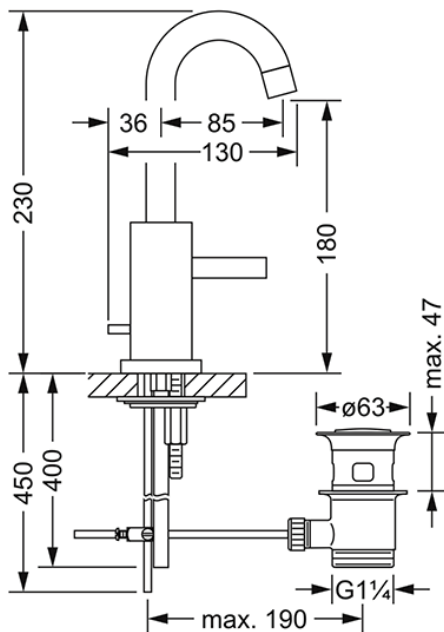
CHARLESTON ROYAL

619.10.222.xxx

Single lever mini washbasin mixer 1/2"



- spout projection 85 mm
- height 230 mm
- swivelling spout
- aerator M18 x 1
- cartridge with ceramic discs 1/2"
- pop-up waste 1 1/4"
- 2 copper tubes M10x1 x 400 mm



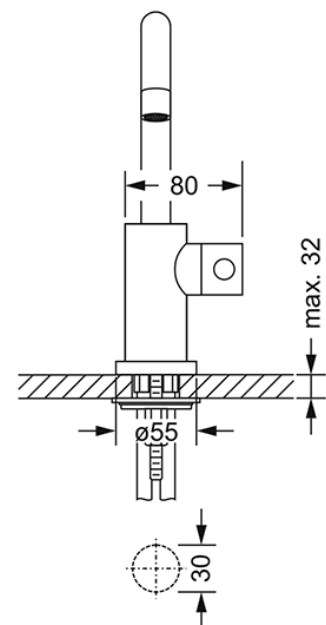
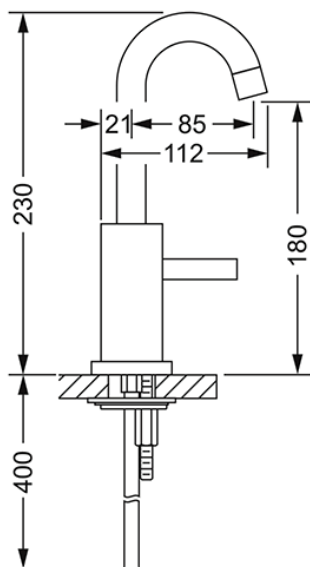
CHARLESTON ROYAL

619.10.224.xxx

Single lever mini washbasin mixer 1/2"



- spout projection 85 mm
- height 230 mm
- swivelling spout
- aerator M18 x 1
- cartridge with ceramic discs 1/2"
- without pop-up waste
- 2 copper tubes M10x1 x 400 mm



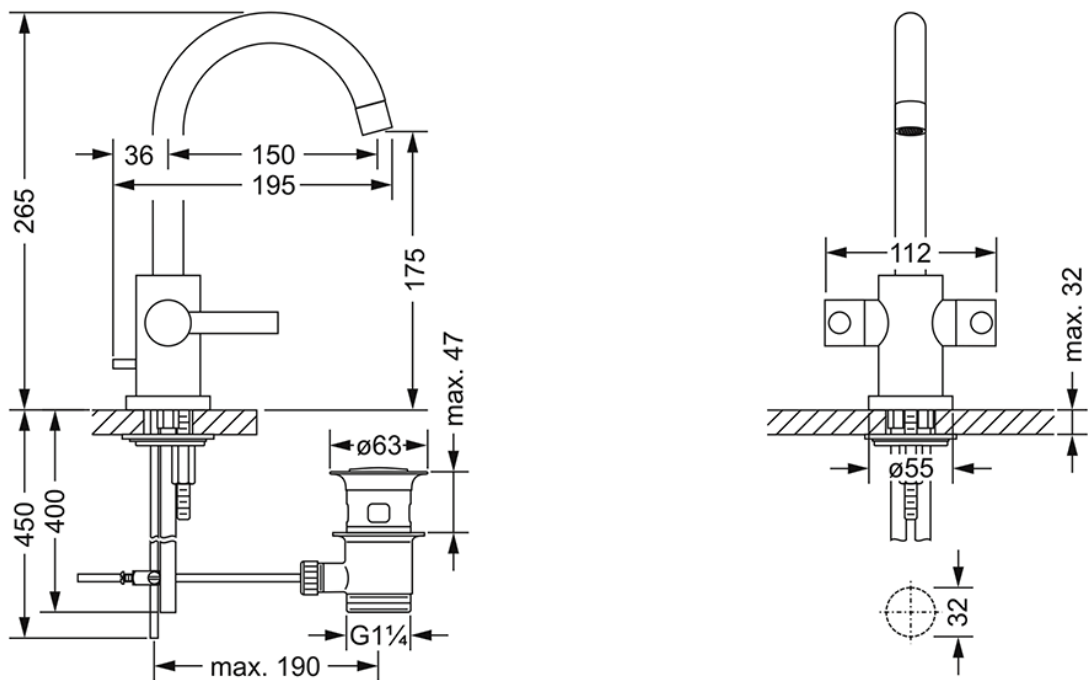
CHARLESTON ROYAL

619.10.300.xxx

Washbasin 1-hole mixer 1/2"



- spout projection 150 mm
- height 265 mm
- swivelling spout
- aerator M18 x 1
- 2 cartridges 1/2" with ceramic discs, right/left closure
- pop-up waste 1 1/4"
- 2 copper tubes M10x1 x 400 mm



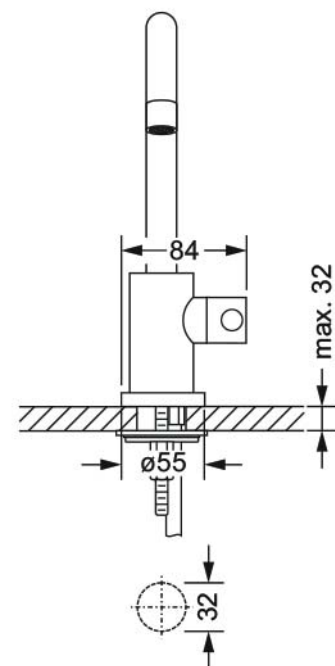
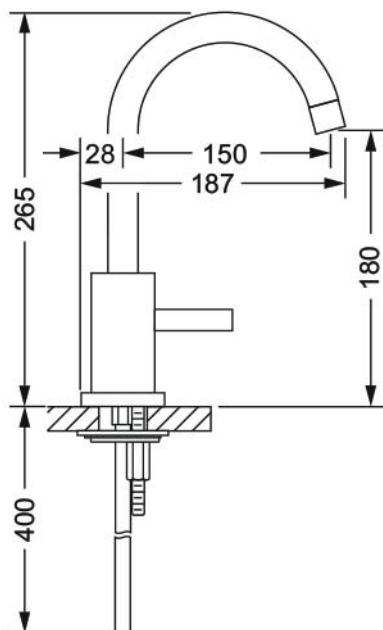
CHARLESTON ROYAL

619.10.600.xxx

Cold water deck mount tap 1/2"



- spout projection 150 mm
- height 265 mm
- swivelling spout
- aerator M18 x 1
- ceramic internal upper part 1/2"
- 1 copper tube M10x1 x 400 mm
- also available on request with spout projection 85 mm - at same price



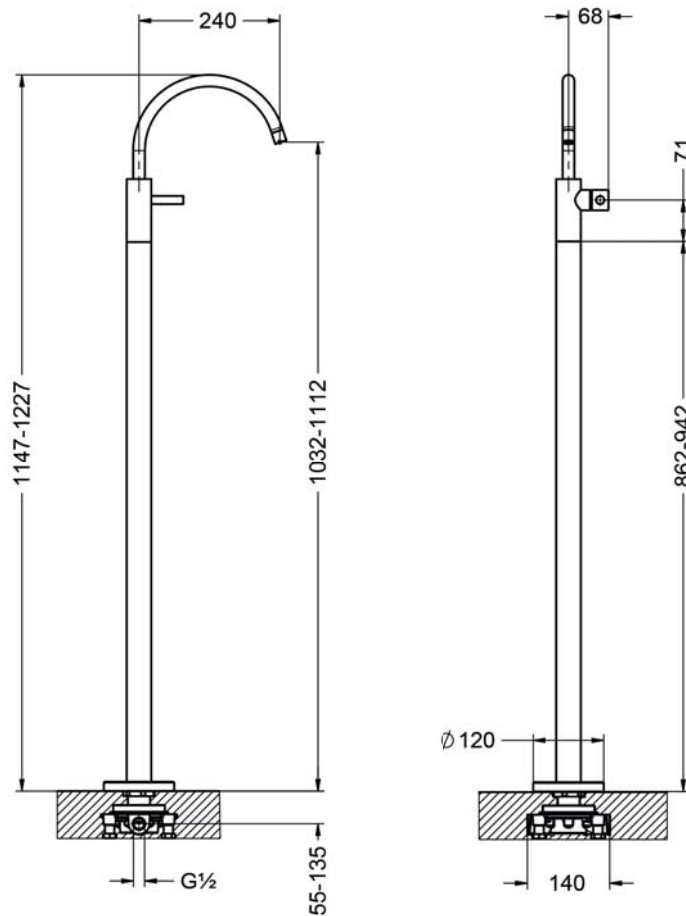
CHARLESTON ROYAL

619.10.854.xxx

Single lever washbasin mixer 1/2"



- free standing assembly
- spout projection 240 mm
- swivelling spout
- without waste
- aerator M18 x 1
- ceramic internal upper part 1/2"
- height 1147-1227 mm
- aerator height 1032-1112 mm
- pillar tube with flange



CHARLESTON ROYAL

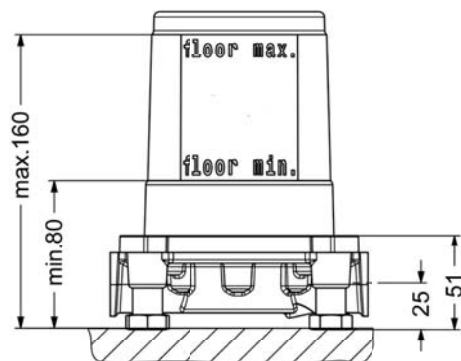
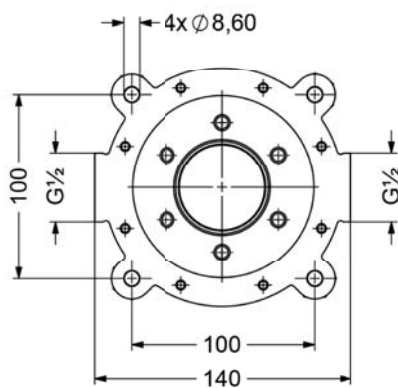
649.10.970.xxx

Assembly set for pre-installation

- adjustable to accommodate uneven floors
- mud guard with min/max floor depth
- rough can be installed and rotated to fit pipes
- trim can be rotated 360 degrees



To order a complete unit, please order the concealed wall box with an assembly set.



CHARLESTON ROYAL

619.30.360.xxx

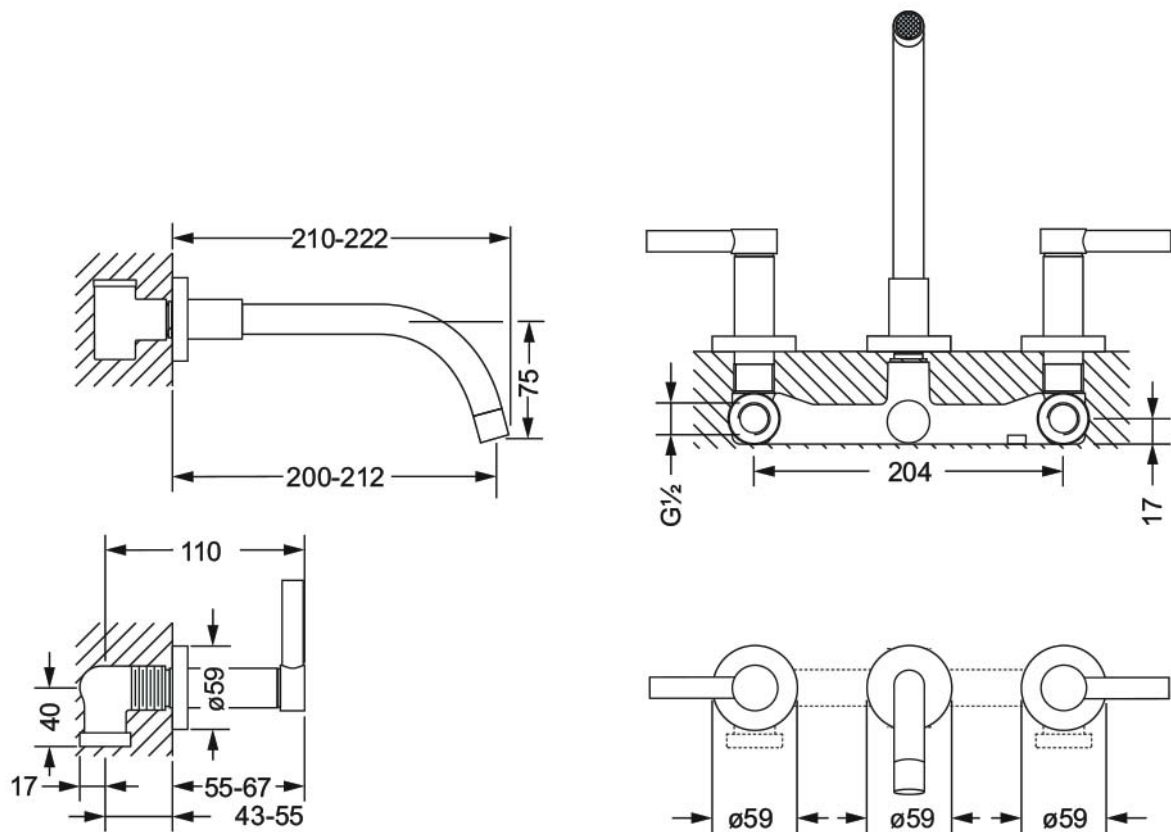
Wall washbasin 3-hole mixer, assembly set 1/2"



- wall mounting
- wall spout
- projection 200-212 mm
- aerator M18 x 1
- design handle, socket with adjustable, escutcheon
- cartridges with ceramic discs 1/2"

Required:

- **649.30.380.000** | Wall washbasin 3-hole mixer 1/2", concealed body



CHARLESTON ROYAL

619.30.365.xxx

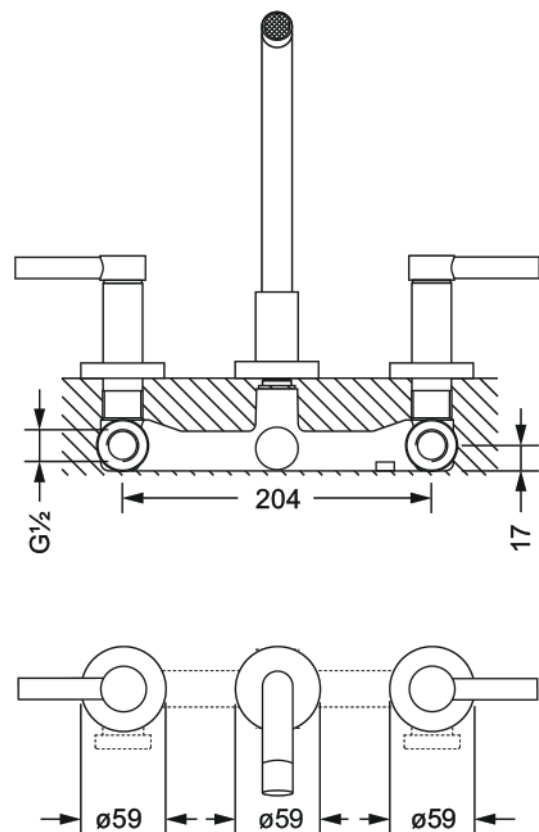
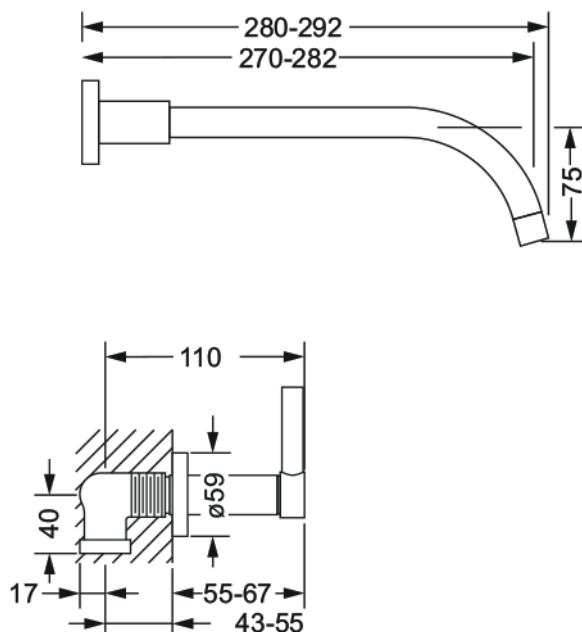
Wall washbasin 3-hole mixer XXL, assembly set 1/2"



- wall mounting
- wall spout
- projection 270 - 282 mm
- aerator M18 x 1
- design handle, socket with adjustable escutcheon
- cartridges with ceramic discs 1/2"

Required:

- **649.30.380.000** | Concealed body 1/2"

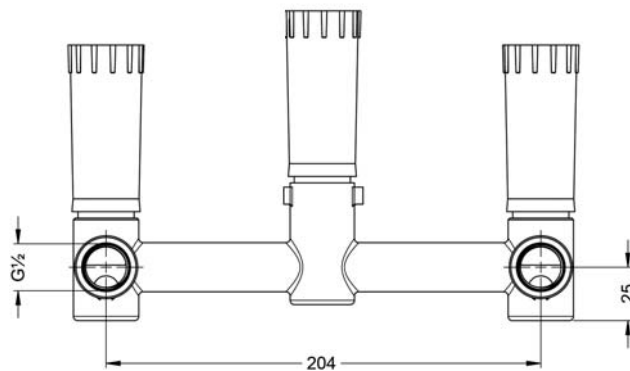
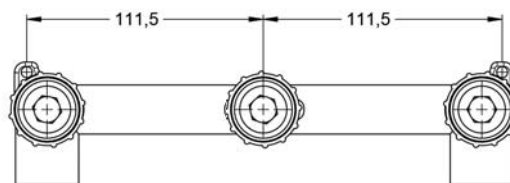
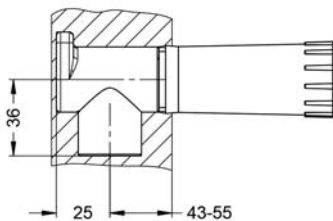


CHARLESTON ROYAL

649.30.380.xxx

Wall washbasin 3-hole mixer, concealed body 1/2"

- 2 connections 1/2", center distance 204 mm
- for assembly set XXX.30.360.xxx and XXX.30.365.xxx



CHARLESTON ROYAL

619.20.360.xxx

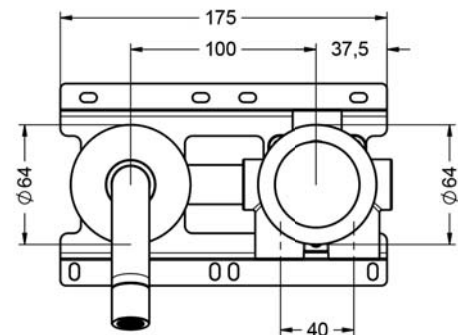
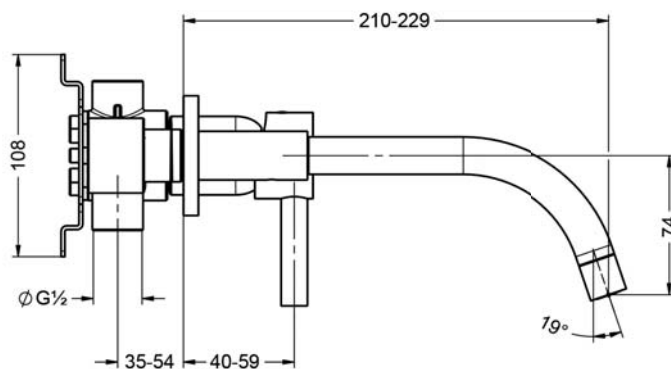
Single lever wall washbasin mixer, assembly set ½"



- wall mounting
- projection 210-229 mm
- wall spout
- aerator M18 x 1
- escutcheon

Required:

- **649.20.362.000** | Single lever wall washbasin mixer ½", concealed body, control lever on the right
- **649.20.364.000** | Single lever wall washbasin mixer ½", concealed body, control lever on the left

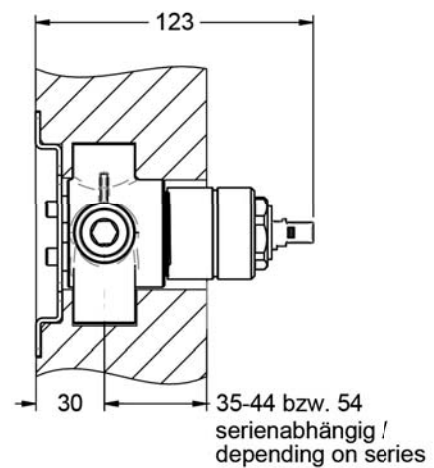
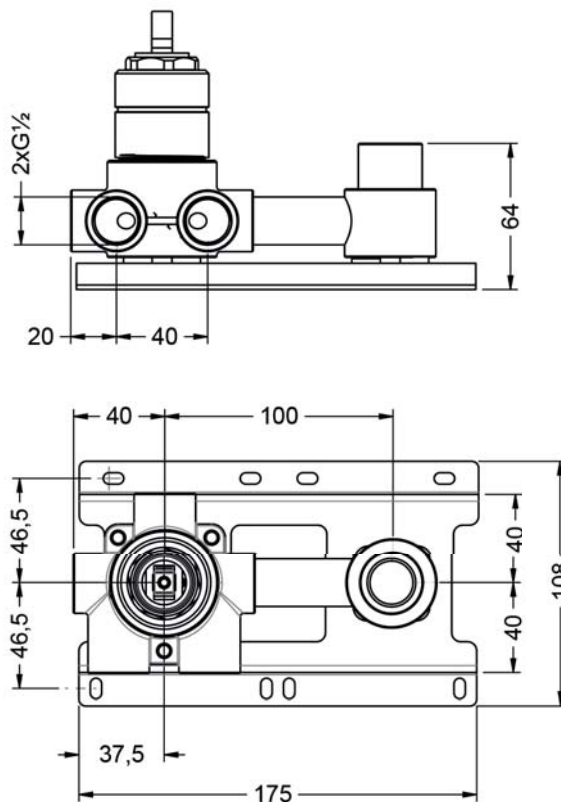


CHARLESTON ROYAL

649.20.364.xxx

Single lever wall washbasin mixer ½", concealed body

- control lever on the left
- single handle operation
- for assembly set XXX.20.360.xxx and XXX.20.365.xxx
- cartridge with ceramic discs



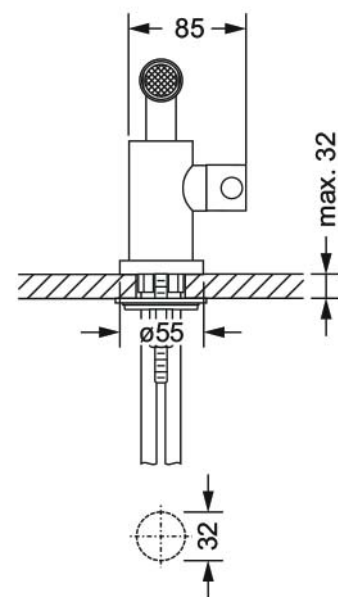
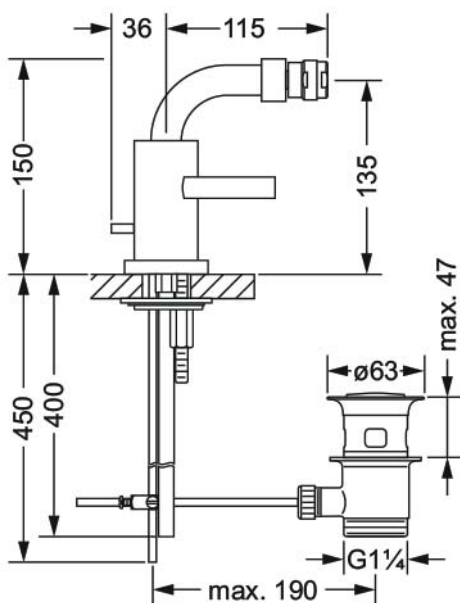
CHARLESTON ROYAL

619.10.111.xxx

Single lever bidet mixer 1/2"



- spout projection 115 mm
- height 150 mm
- swivelling spout
- aerator M24x1 with ball joint
- cartridge with ceramic discs 1/2"
- pop-up waste 1 1/4"
- 2 pressure hoses M10x1 x 450 mm

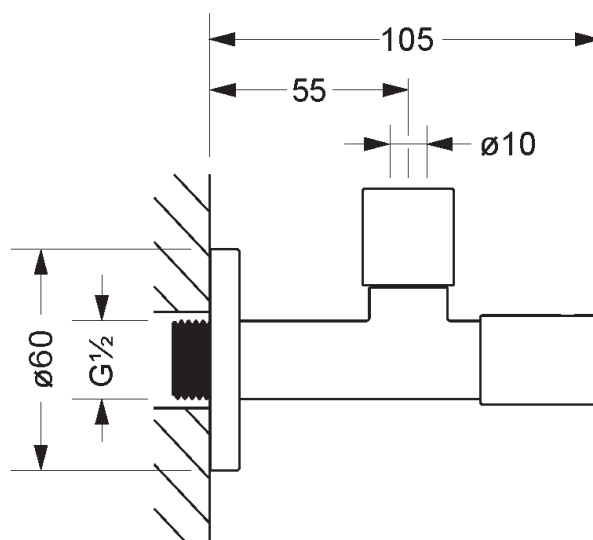


CHARLESTON ROYAL

632.12.100.xxx

Angle valve 1/2"

- wall mounting
- projection 105 mm
- cartridge 1/2"
- compression joint 1/2"
- escutcheon

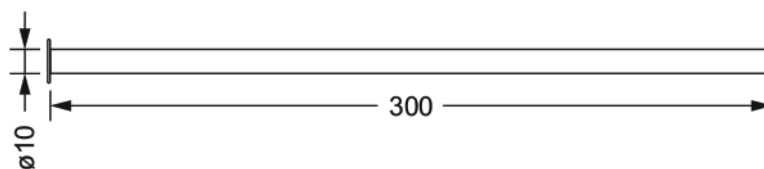


CHARLESTON ROYAL

649.15.530.xxx

Copper tube, 300 mm

- with flange
- for compression joint

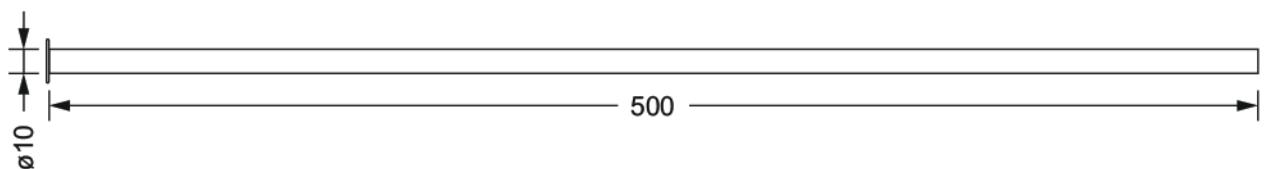


CHARLESTON ROYAL

649.15.550.xxx

Copper tube, 500 mm

- with flange
- for compression joint



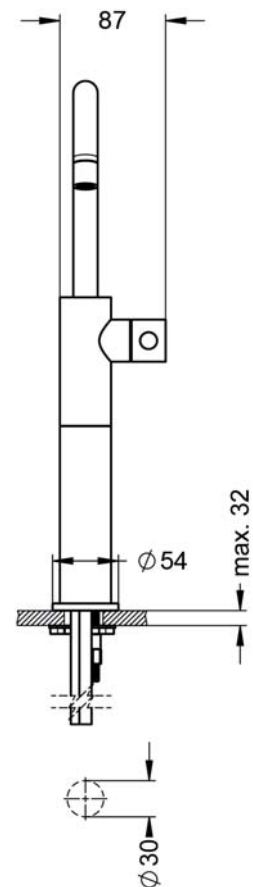
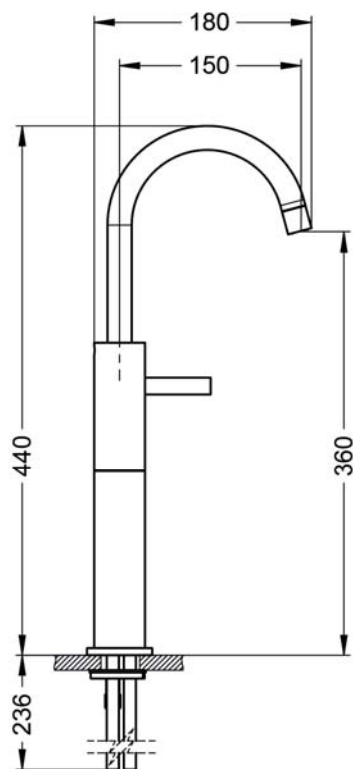
CHARLESTON ROYAL

619.10.332.xxx

Single lever washbasin mixer 1/2"



- with body extension 150 mm
- spout projection 150 mm
- total height 440 mm
- swivelling spout
- aerator M18 x 1
- cartridge with ceramic discs 1/2"
- without pop-up waste
- 2 pressure hoses M10x1 x 600 mm



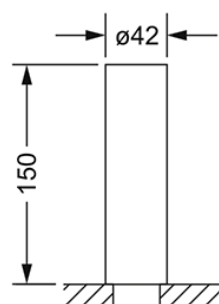
CHARLESTON ROYAL

649.10.086.xxx

Body extension, height 150 mm



- diameter 42 mm
- for 634.10.222, 634.10.224, 634.10.300, 634.10.333, 634.10.334, 634.10.350, 634.10.353, 634.10.354, 634.10.600

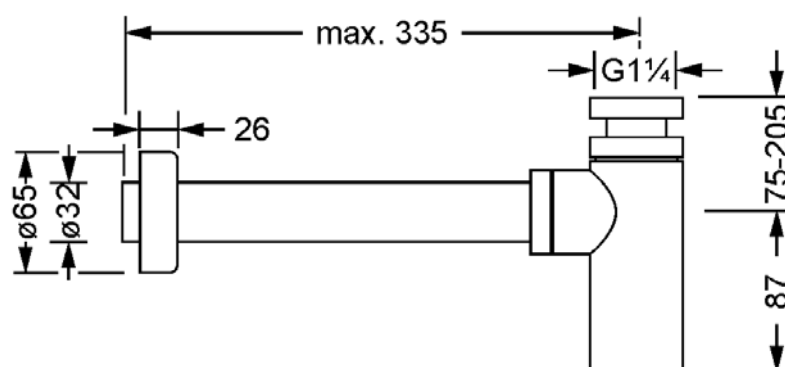


CHARLESTON ROYAL

649.15.340.xxx

Washbasin cupped siphon trap 1 ¼"

- wall mounting
- heavy metal
- escutcheon
- outlet tube \varnothing 32 mm
- siphon depth 165 mm

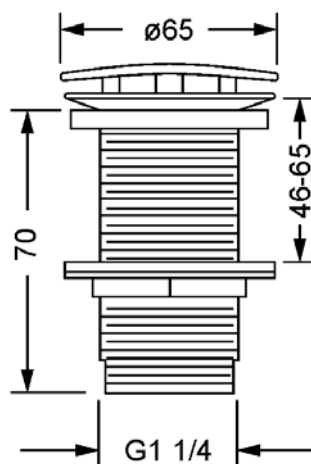


CHARLESTON ROYAL

649.15.270.xxx

Restraint drain/waste 1 1/4"

- length of shaft 70 mm
- for washbasins without overflow

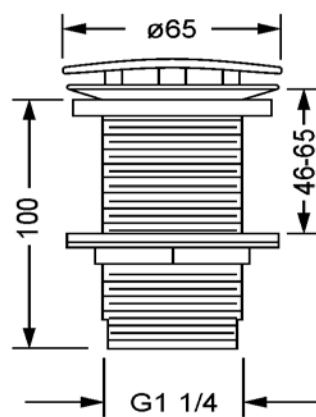


CHARLESTON ROYAL

649.15.271.xxx

Restraint drain/waste 1 1/4"

- length of shaft 100 mm
- for washbasins without overflow



CHARLESTON ROYAL

619.30.445.xxx

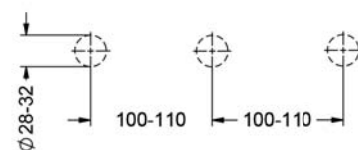
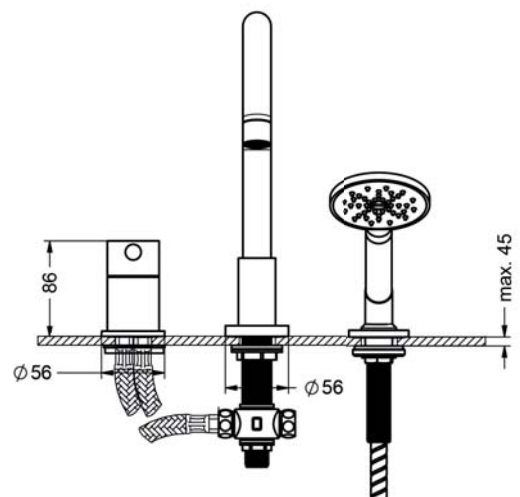
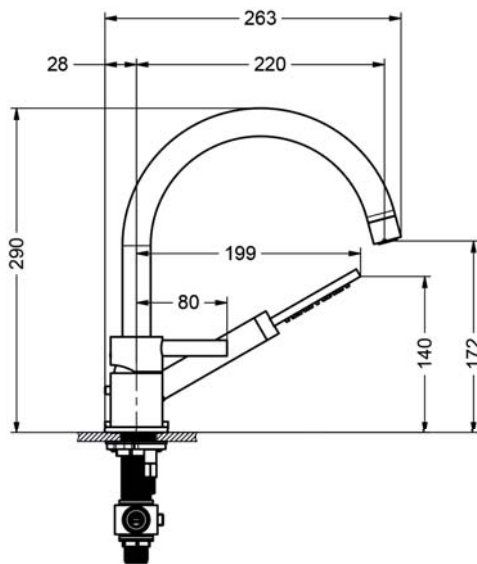
Tub/shower mixer set deck mount 1/2"



- spout projection 220 mm
- height 290 mm
- aerator M22 x 1
- fixed spout
- ceramic cartridge 1/2"
- automatic tub/shower diverter
- metal hand shower with anticalcareous system and backflow preventer
- flow rate hand shower 13,2 l/min at 3 bar
- metal shower hose 2.000 mm

Recommended:

- **649.40.160.000** | assembly plate



CHARLESTON ROYAL

619.40.105.xxx

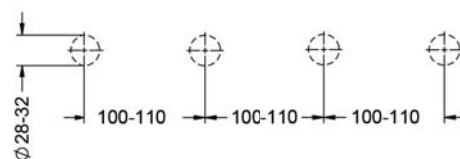
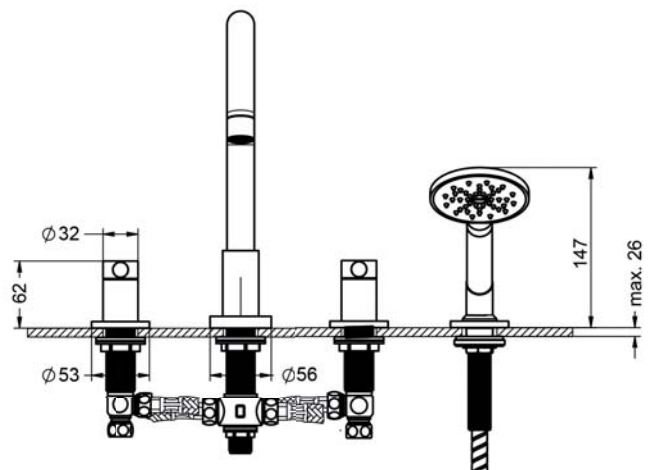
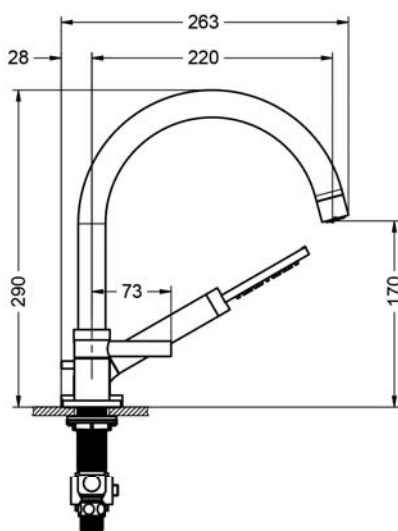
Tub/shower mixer set, deck mount 1/2"



- spout projection 220 mm
- height 290 mm
- aerator M22 x 1
- fixed spout
- automatic tub/shower diverter
- 2 side valves, ceramic internal upper parts 1/2"
- metal shower hose 2.000 mm
- metal hand shower with anticalcareous system and backflow preventer
- flow rate hand shower 13,2 l/min at 3 bar

Recommended:

- **649.40.160.000** | assembly plate

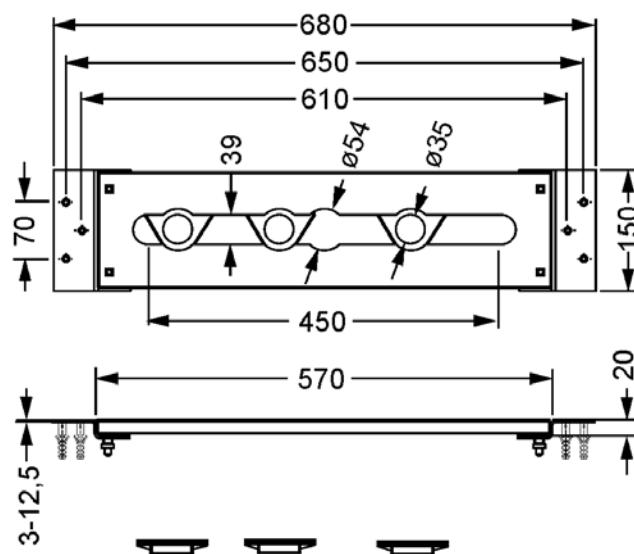


CHARLESTON ROYAL

649.40.160.xxx

Assembly plate module

- installation under tiles or bath rim
- dimensions 680 x 150 mm
- complete metal plate with mounting elements
- recommended hose box system 649.40.150.000, 649.40.170.000



CHARLESTON ROYAL

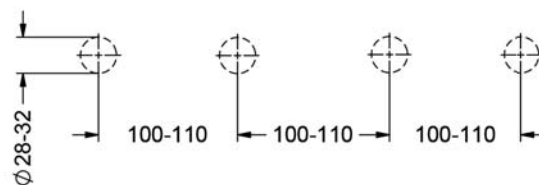
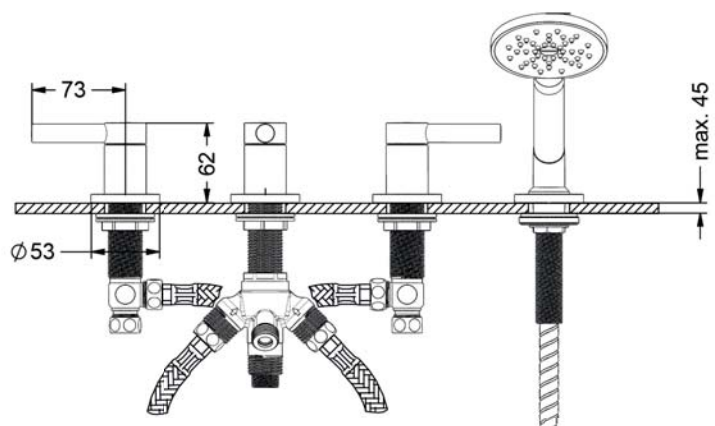
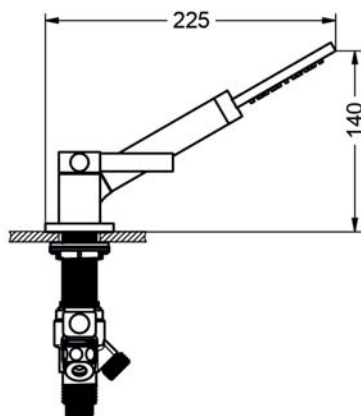
615.40.155.xxx

Tub/shower combination 1/2"

- for waste and overflow set with bath tub filler spout, without pipe interrupter
- 2 side valves, ceramic internal upper parts 1/2", 2-position diverter
- metal shower hose 2000 mm
- metal hand shower with anticalcareous system and backflow preventer
- flow rate hand shower 13,2 l/min at 3 bar

Recommended:

- **649.40.160.000** | assembly plate



CHARLESTON ROYAL

619.10.825.xxx

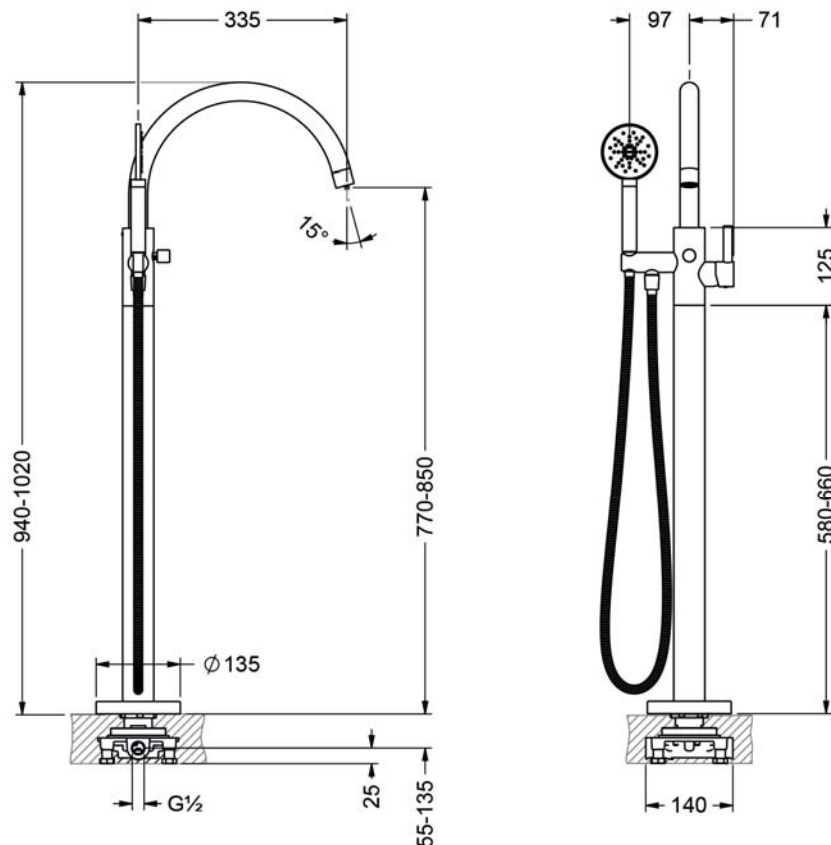
Tub/shower mixer for floor standing mounting, assembly set 1/2"



- free standing assembly
- spout projection 335 mm
- swivelling spout
- flow rate of the spout 22 l/min at 3 bar
- tub/shower diverter
- metal hand shower with anticalcareous system and backflow preventer
- flow rate hand shower 13,2 l/min at 3 bar
- metal shower hose 1500 mm
- pillar tube with flange
- aerator M28 x 1
- ceramic internal upper part 1/2"
- height 940 - 1020 mm
- aerator height 770-850 mm

Required:

- **649.10.970.000** | Assembly set for pre-installation



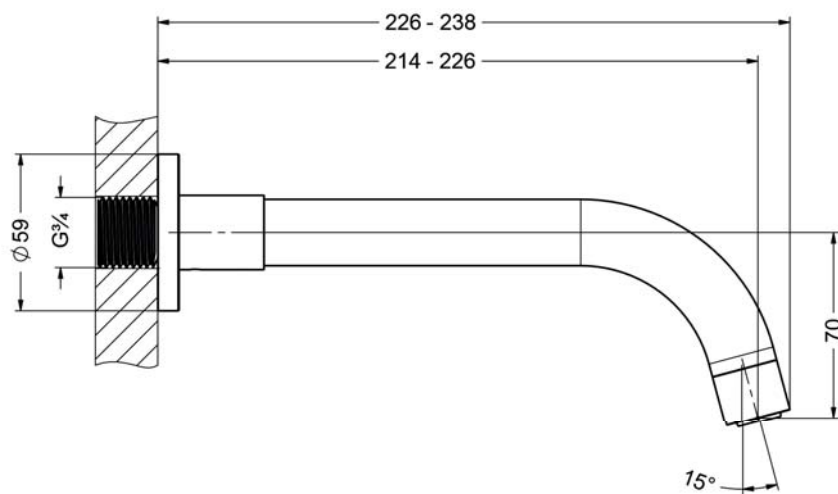
CHARLESTON ROYAL

619.11.100.xxx

Tub wall spout 3/4"



- wall mounting
- spout projection 214-226 mm
- aerator M22x1
- fixed spout
- special concealed wall attachment



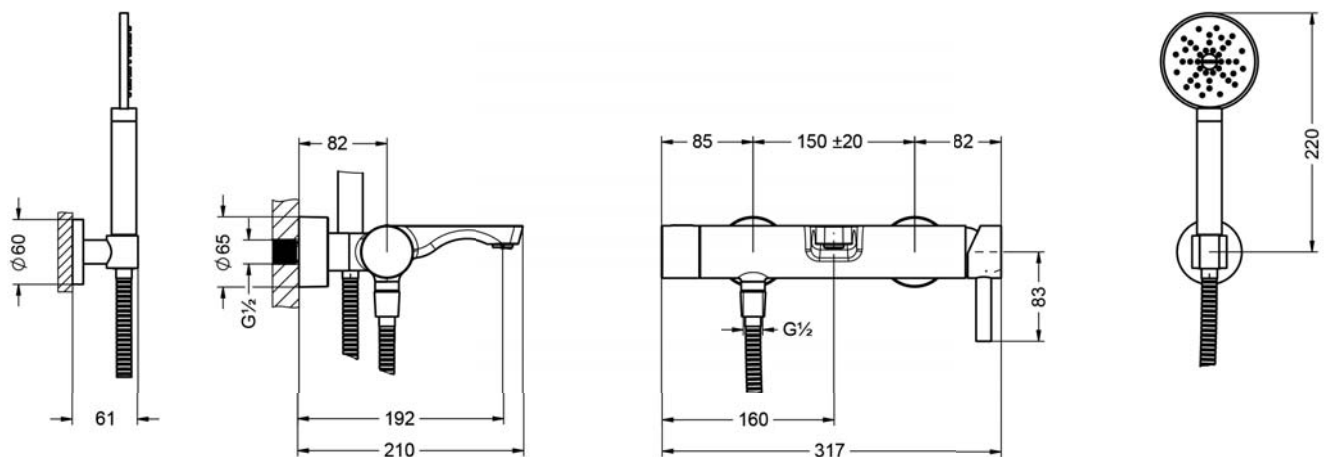
CHARLESTON ROYAL

619.20.505.xxx

Exposed tub/shower mixer inclusive shower set 1/2"



- wall mounting
- spout projection 192 mm
- fixed spout
- aerator M24x1
- manual tub/shower diverter
- metal hand shower, anticalcareous system and backflow preventer
- flow rate hand shower 13,2 l/min at 3 bar
- metal shower hose 1500 mm, both sides with turning cone
- cartridge with ceramic discs 1/2"
- concealed S-connections 1/2" x 3/4"



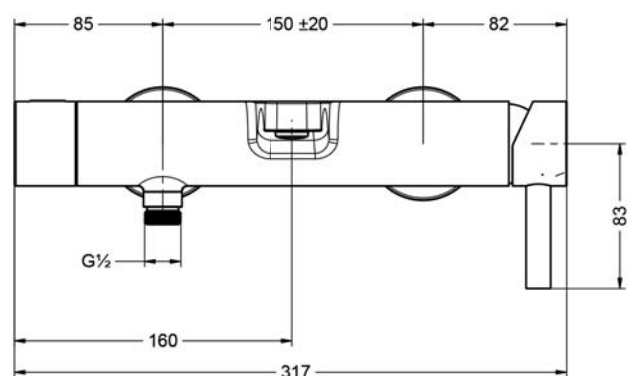
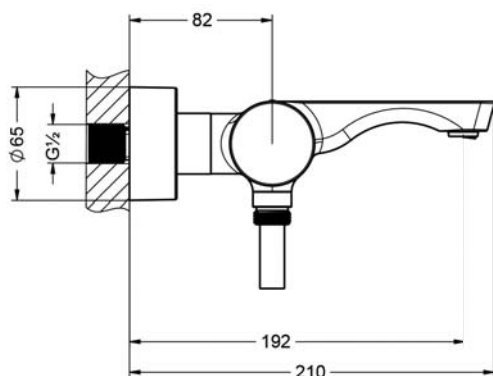
CHARLESTON ROYAL

619.20.515.xxx

Exposed tub/shower mixer without shower set 1/2"



- wall mounting
- spout projection 192 mm
- aerator M24x1
- fixed spout
- manual tub/shower diverter
- cartridge with ceramic discs 1/2"
- concealed S-connections 1/2" x 3/4"



CHARLESTON ROYAL

619.20.665.xxx

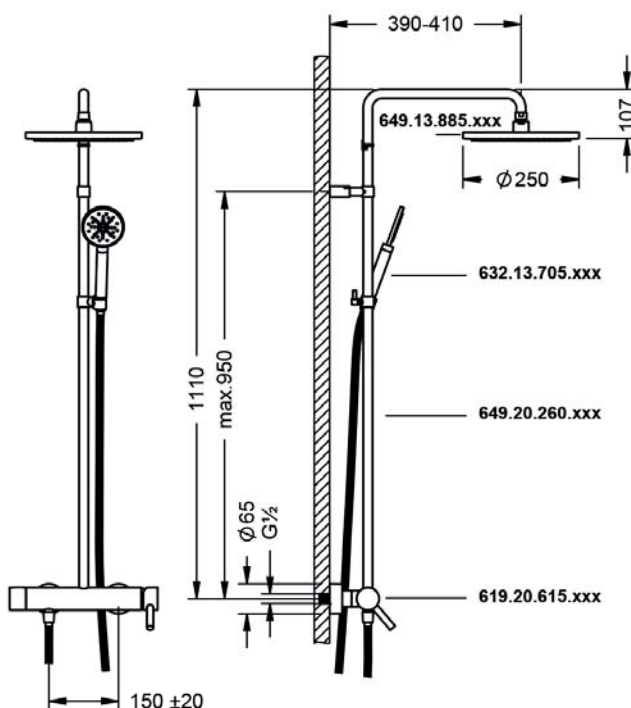
Exposed set with shower system 1/2"



- rain shower head 1/2", ø 250 mm
- full metal body with ball joint and anticalcareous system
- flow rate rain shower head 11 l/min at 3 bar
- supply pipe, diverter, wall bracket to connect the exposed shower mixer, spout projection 390-410 mm
- fitting for hand adjustable in height and inclination
- shower combination, metal hand shower with 1 jet, anticalcareous system and backflow preventer
- flow rate hand shower 13,2 l/min at 3 bar
- metal shower hose 1500 mm, both sides with turning cone
- exposed shower mixer for supply pipe 1/2"
- single lever and diverter cartridge with ceramic discs 1/2"
- concealed S-connections 1/2" x 3/4"

Consisting of:

- **649.13.885.xxx** | Rain shower head 1/2", ø 250 mm
- **649.20.260.xxx** | Supply pipe, diverter, wall bracket
- **632.13.705.xxx** | Shower combination, complete
- **619.20.615.xxx** | Exposed shower mixer for supply pipe 1/2"



CHARLESTON ROYAL

632.20.465.xxx

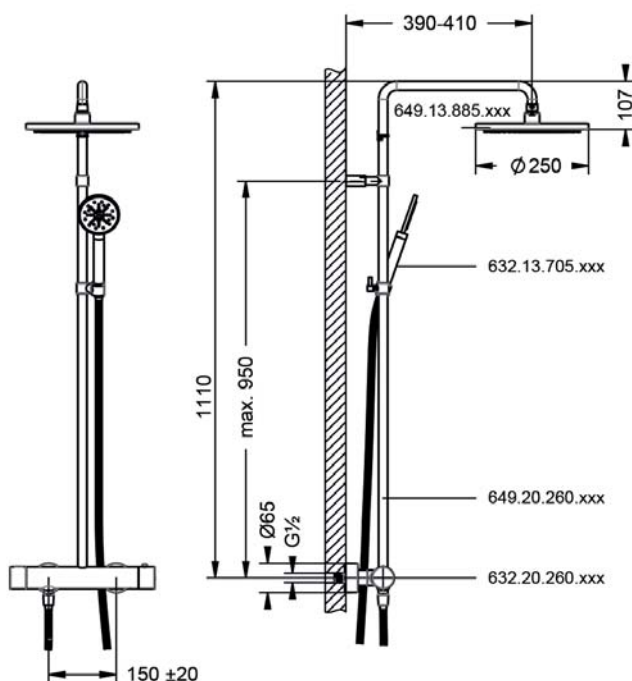
Exposed thermostat-set with shower system 1/2"



- rain shower head 1/2", ø 250 mm
- full metal body with ball joint and anticalcareous system
- flow rate of the rain shower head 11 l/min at 3 bar
- supply pipe, diverter, wall bracket to connect the exposed shower mixer projection 390-410 mm
- metal hand shower with anticalcareous system and backflow preventer
- flow rate hand shower 13,2 l/min at 3 bar
- metal shower hose 1500 mm, both sides with turning cone
- exposed shower thermostat for supply pipe 1/2"
- cartridge with thermoelement
- locking device at 38 °C
- discharge 1/2"
- concealed S-connections 1/2" x 3/4"

Consisting of:

- **649.13.885.xxx** | Rain shower head 1/2", ø 250 mm
- **649.20.260.xxx** | Supply pipe, diverter, wall bracket
- **632.13.705.xxx** | Shower combination
- **632.20.260.xxx** | Exposed shower thermostat 1/2"

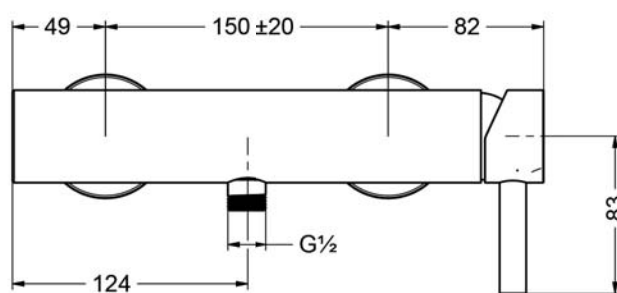
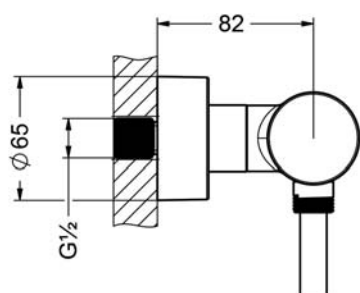


CHARLESTON ROYAL

619.20.605.xxx

Single lever exposed shower mixer 1/2"

- wall mounting
- cartridge with ceramic discs 1/2"
- discharge 1/2"
- concealed S-connections 1/2" x 3/4"

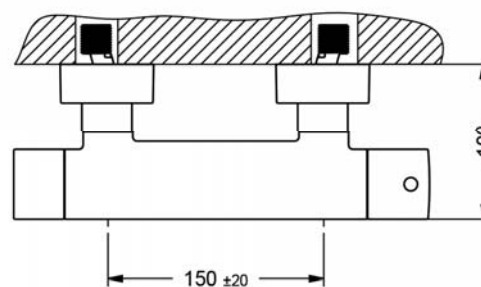
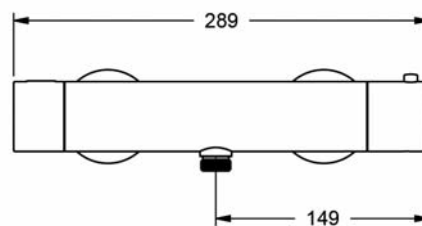
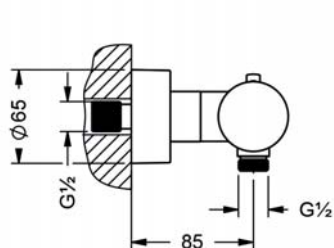


CHARLESTON ROYAL

632.20.250.xxx

Exposed shower thermostat 1/2"

- wall mounting
- cartridge with thermoelement
- heat scale and locking device at 38°C
- ceramic cartridge 1/2"



CHARLESTON ROYAL

615.20.125.xxx

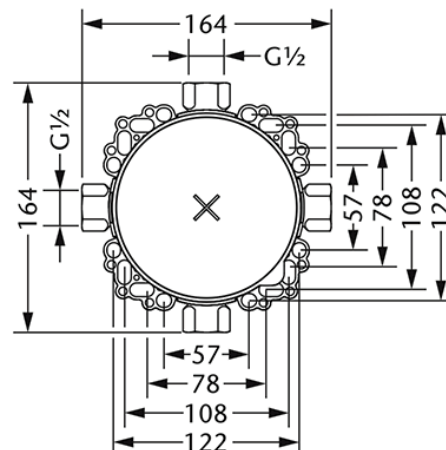
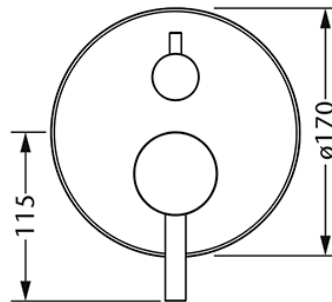
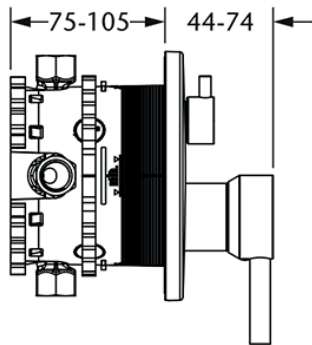
Concealed single lever wall tub and shower mixer, assembly set 1/2"



- manual two way diverter with ceramic cartridge for pressure-independent function
- with safety device
- functional unit with diverter
- flow rate 21 l/min at 3 bar

Required:

- **649.40.360.000** | Concealed wall box 1/2"



CHARLESTON ROYAL

615.20.135.xxx

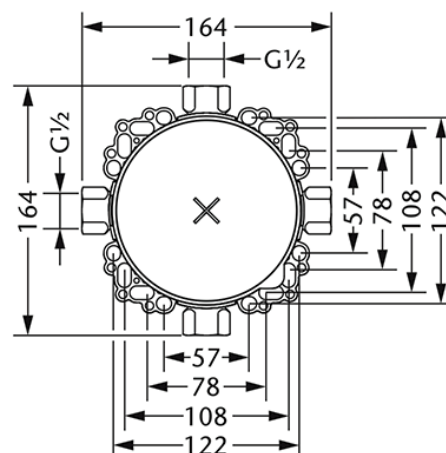
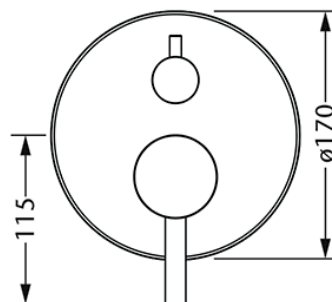
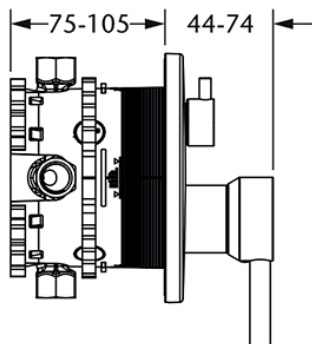
Concealed single lever wall tub and shower mixer, assembly set 1/2"



- manual two way diverter with ceramic cartridge for pressure-independent function
- without safety device
- flow rate 21 l/min at 3 bar

Required:

- **649.40.360.000** | Concealed wall box 1/2"



CHARLESTON ROYAL

615.20.235.xxx

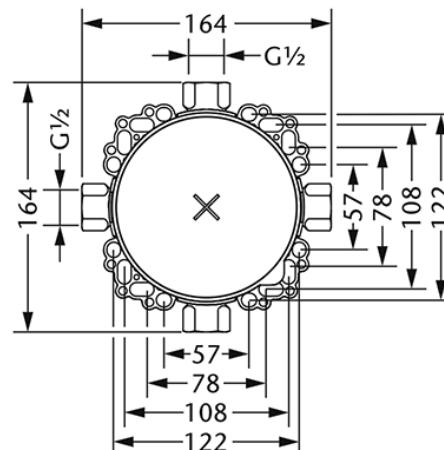
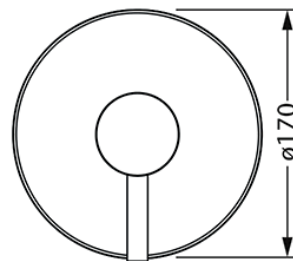
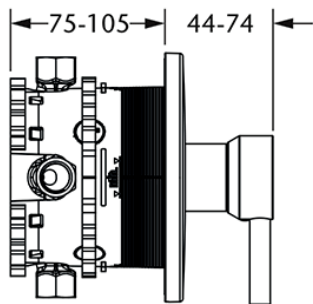
Concealed single lever shower mixer, assembly set 1/2"



- without diverter
- functional unit with ceramic discs
- flow rate 20,4 l/min at 3 bar

Required:

- **649.40.360.000** | Concealed wall box 1/2"



CHARLESTON ROYAL

615.40.380.xxx

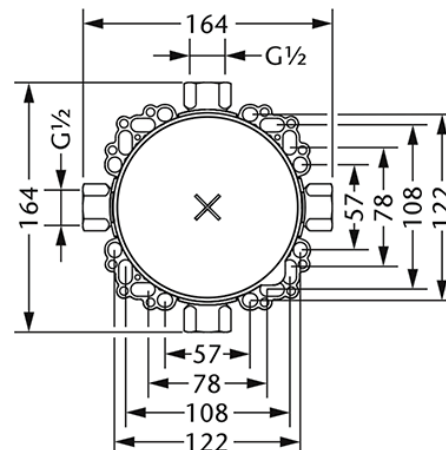
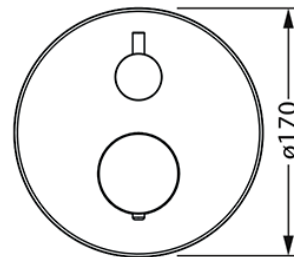
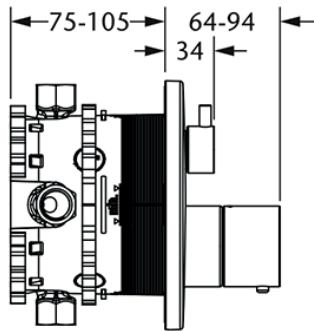
Concealed wall thermostat with flow control, assembly set 1/2"



- manual two way diverter with ceramic cartridge for pressure-independent function
- with integrated volume control
- with safety device
- flow rate 20,4 l/min at 3 bar

Required:

- **649.40.360.000** | Concealed wall box 1/2"



CHARLESTON ROYAL

615.40.360.xxx

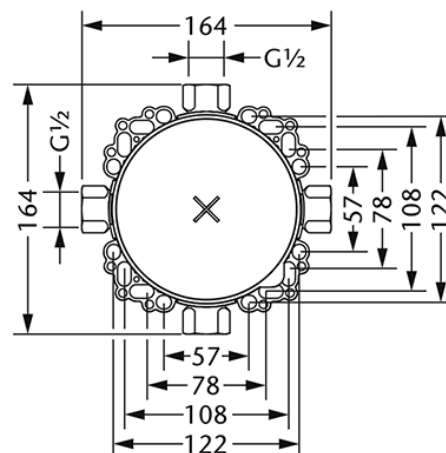
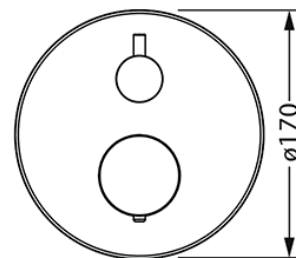
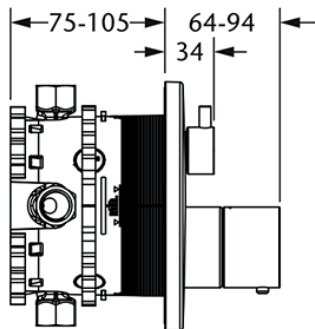
Concealed wall thermostat with flow control, assembly set 1/2"



- with integrated ceramic cartridge for volume control
- without diverter
- flow rate 20,4 l/min at 3 bar

Required:

- **649.40.360.000** | Concealed wall box 1/2"



CHARLESTON ROYAL

615.40.460.xxx

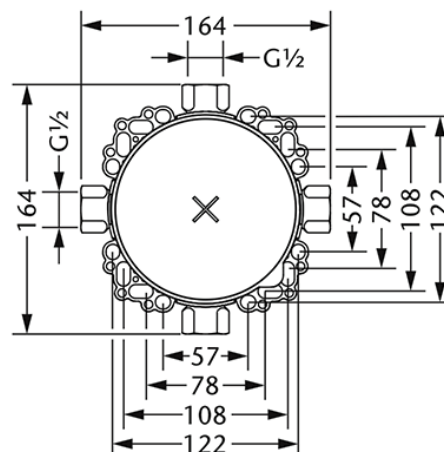
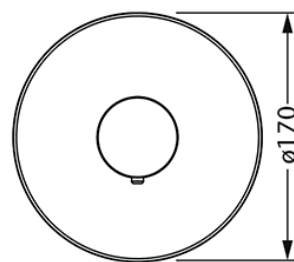
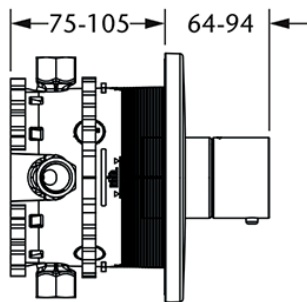
Concealed wall thermostat without flow control, assembly set 1/2"



- functional unit without diverter
- without shut-off
- without flow control
- flow rate 25,8 l/min at 3 bar

Required:

- **649.40.360.000** | Concealed wall box 1/2"



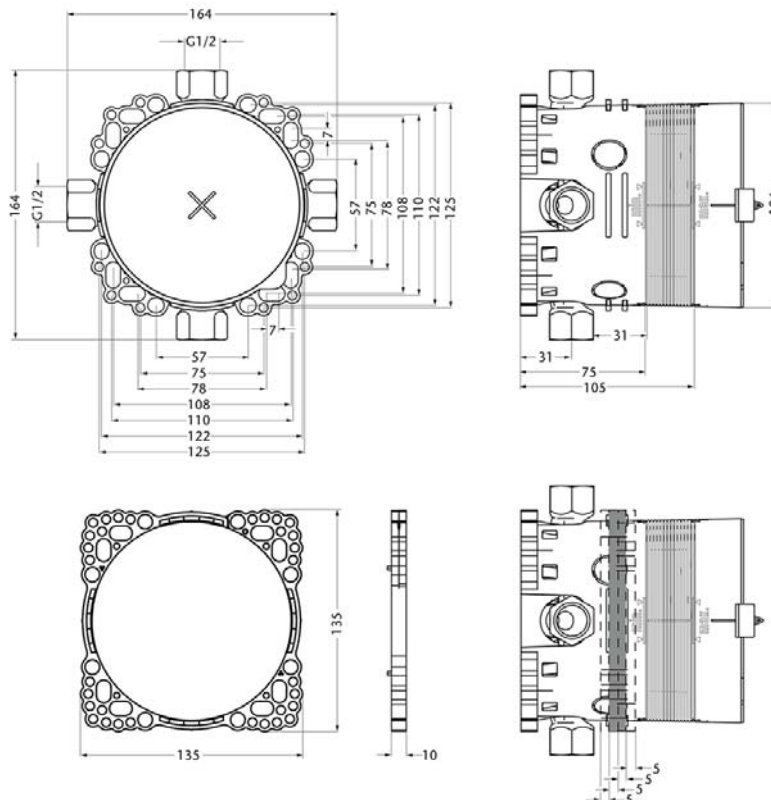
CHARLESTON ROYAL

649.40.360.xxx

Concealed wall box 1/2"

- for installing concealed wall thermostats 1/2"
- for wetwall and drywall construction

To order a complete unit, please order the concealed wall box with an assembly set.



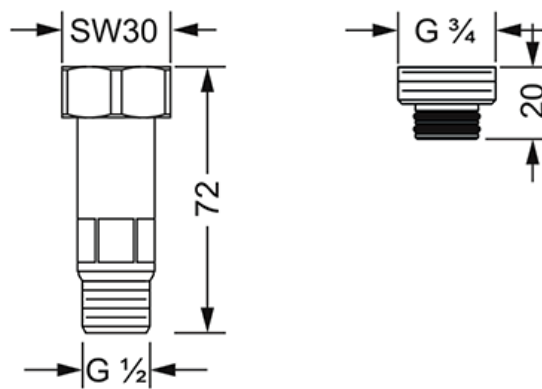
CHARLESTON ROYAL

649.20.612.xxx

Connection adapter 1/2"



- connection adapter, end plug
- for connection 649.20.610.000, 649.20.620.000, 649.20.630.000
matching for wall box 649.40.360.000



CHARLESTON ROYAL

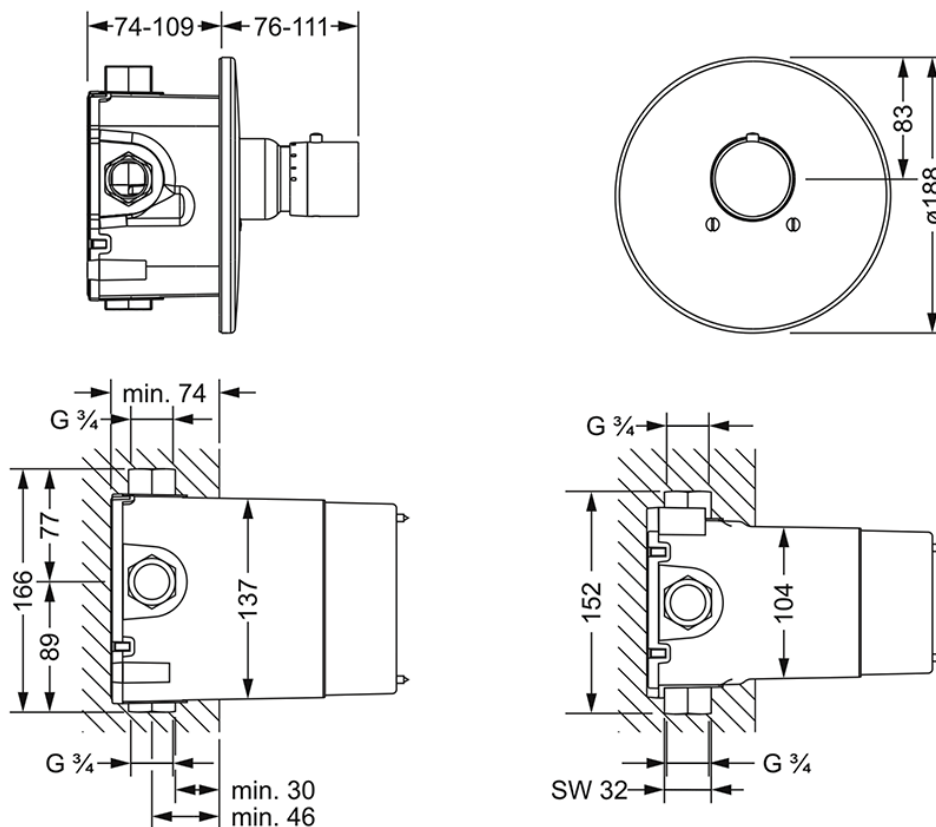
615.40.555.xxx

Concealed wall thermostat without flow control, assembly set $\frac{3}{4}$ "

- without diverter
- design handle for temperature control
- locking device at 38 °C
- flow rate 64,2 l/min at 3 bar

Required:

- **649.40.555.000** | Concealed thermostat body $\frac{3}{4}$ "

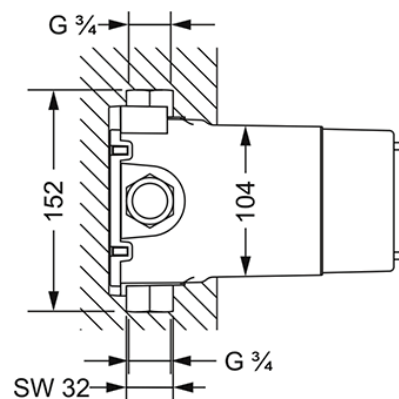
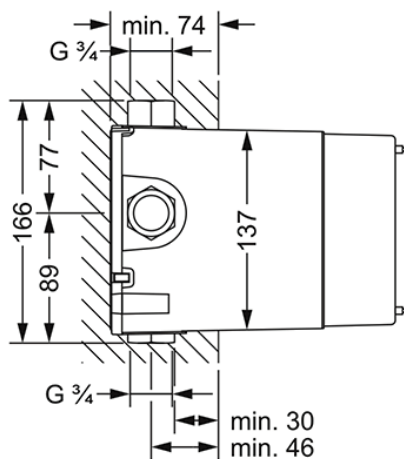


CHARLESTON ROYAL

649.40.555.xxx

Concealed thermostat body $\frac{3}{4}$ "

- for assembly set XXX.40.555.xxx
- cartridge with filter screens
- for wetwall and drywall construction
- without shut-off
- flow rate 64,2 l/min at 3 bar



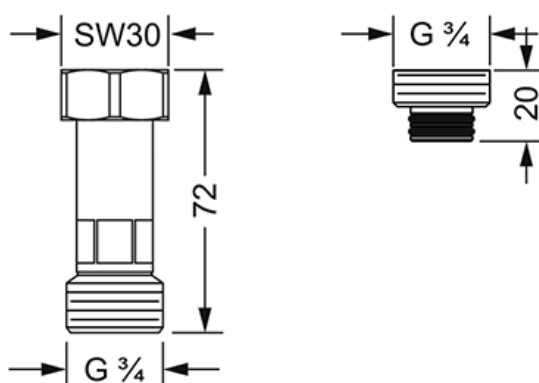
CHARLESTON ROYAL

649.20.634.xxx

Connection adapter $\frac{3}{4}$ "



- connection adapter, end plug
- for connection 649.20.610.000, 649.20.620.000, 649.20.630.000 with thermostat body 649.40.555.000



CHARLESTON ROYAL

615.40.520.xxx

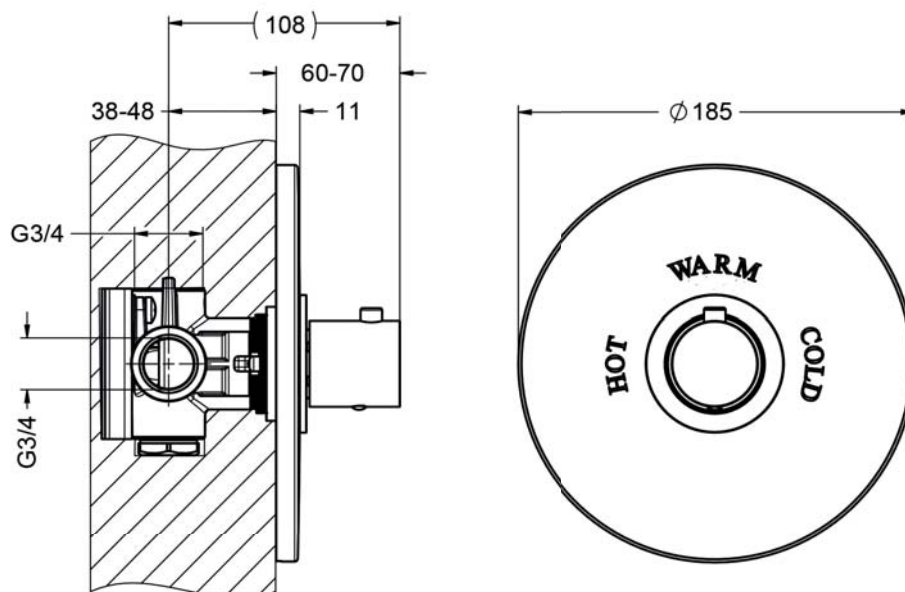
Concealed wall thermostat without flow control, assembly set 3/4"



- without diverter
- design handle for temperature control
- locking device at 38 °C
- flow rate 41 l/min at 3 bar

Required:

- **649.40.520.000** | Concealed thermostat body 3/4"



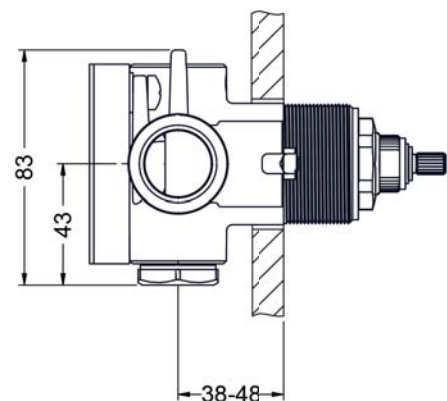
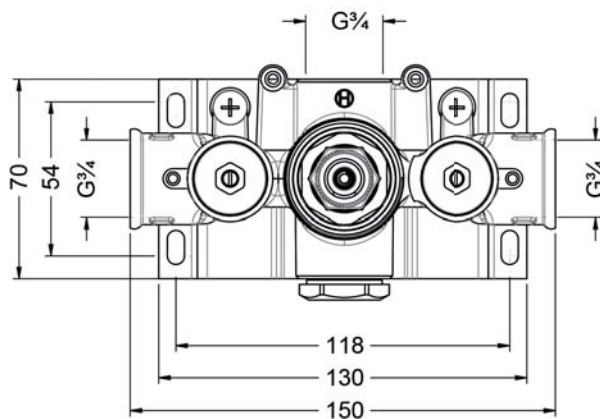
CHARLESTON ROYAL

649.40.520.xxx

Concealed thermostat body $\frac{3}{4}$ "



- for assembly set XXX.40.520.xxx
- flow rate 41 l/min at 3 bar
- cartridge with filter screens
- for wetwall and drywall construction
- without shut-off
- fast thermal element shut-down in case of cold water loss, fast response time to reduce hot and cold spikes
- complete with mud guard for installation



CHARLESTON ROYAL

615.60.432.xxx

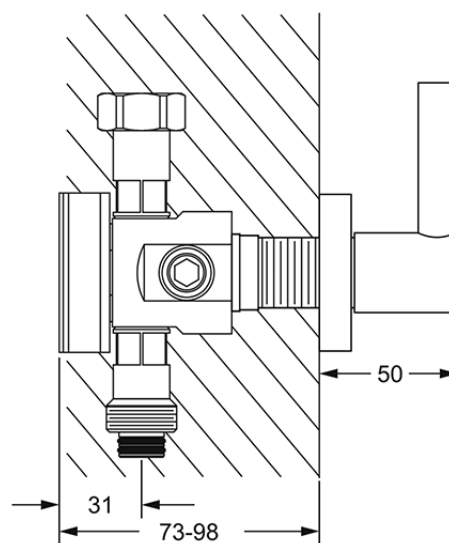
Concealed wall-valve-modul assembly set



- design handle
- escutcheon
- spindle valve $\frac{3}{4}$ ", clockwise closure with ceramic discs
- flow rate look at installation body

Required:

- **649.20.610.000** | Concealed wall-valve-modul, single
- **649.20.620.000** | Concealed wall-valve-modul, double
- **649.20.630.000** | Concealed wall-valve-modul, triple



CHARLESTON ROYAL

649.20.610.xxx

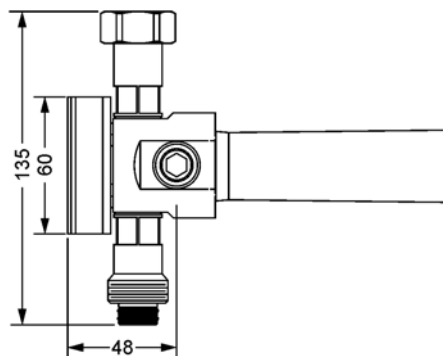
Concealed wall-valve-modul, single



- 2 outlets $\frac{1}{2}$ " , each 1x right/left possible, simultaneously usable
- the module can be used as a water outlet in the installation and can be extended by the desired number of valves
- the module is supplied with brackets for wall mounting
- flow rate with $\frac{1}{2}$ " thermostat \varnothing 27,6 l/min at 3 bar
- flow rate with $\frac{3}{4}$ " thermostat \varnothing 39,2 l/min at 3 bar

For the connection to the concealed part of the thermostat is required:

- **649.20.612.000** | adapter $\frac{1}{2}$ " or
- **649.20.634.000** | adapter $\frac{3}{4}$ "



CHARLESTON ROYAL

649.20.620.xxx

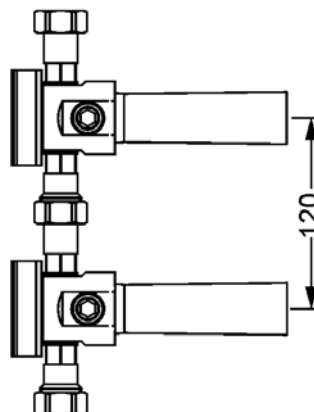
Concealed wall-valve-modul, double



- 4 outlets ½", each 2x right/left possible, simultaneously usable
- precise assembly due to composite
- the module can be used as a water outlet in the installation and can be extended by the desired number of valves
- the module is supplied with brackets for wall mounting
- flow rate with ½" thermostat ø 32,6 l/min at 3 bar
- flow rate with ¾" thermostat ø 52,7 l/min at 3 bar

Für den Anschluss an den Unterputzteil des Thermostats wird benötigt:

- **649.20.612.000** | Adapter ½" oder
- **649.20.634.000** | Adapter ¾"



CHARLESTON ROYAL

649.20.630.xxx

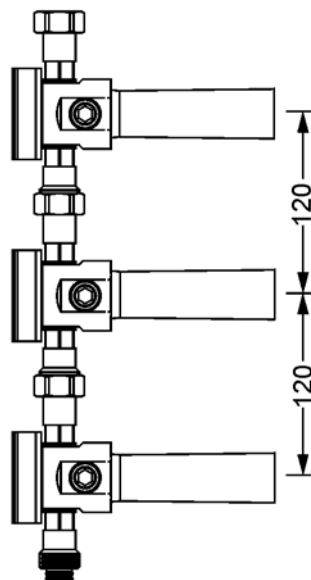
Concealed wall-valve-modul, triple



- 6 outlets 1/2", each 3x right/left possible, simultaneously usable
- precise assembly due to composite
- the module can be used as a water outlet in the installation and can be extended by the desired number of valves
- the module is supplied with brackets for wall mounting
- flow rate with 1/2" thermostat \varnothing 33 l/min at 3 bar
- flow rate with 3/4" thermostat \varnothing 55,5 l/min at 3 bar

For the connection to the concealed part of the thermostat is required:

- 649.20.612.000 | adapter 1/2" or
- 649.20.634.000 | adapter 3/4"



CHARLESTON ROYAL

615.40.650.xxx

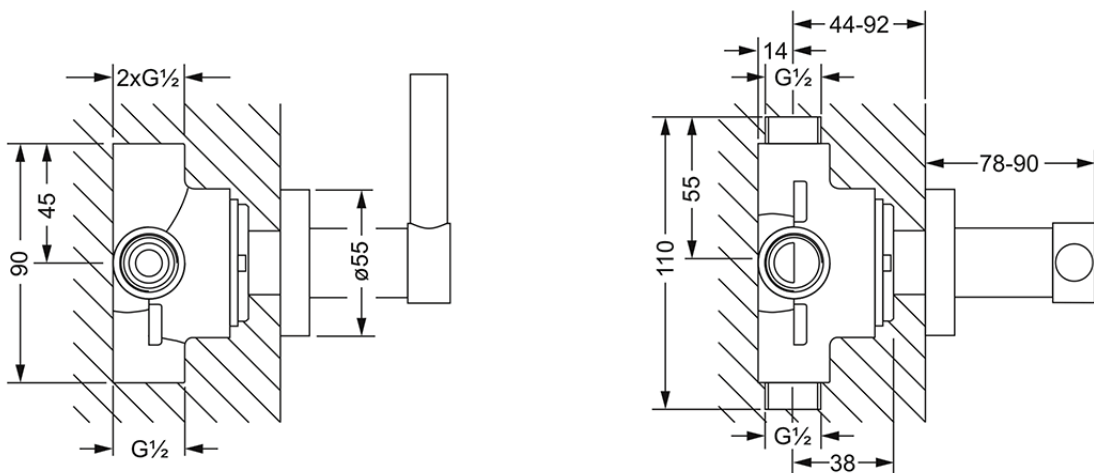
Concealed 3-position diverter assembly set 1/2"



- design handle
- socket with adjustable escutcheon
- flow rate 52 l/min at 3 bar

Required:

- **649.40.600.000** | Concealed 3-position diverter 1/2", diverter body

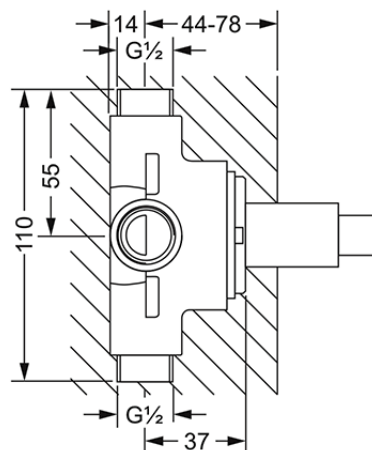
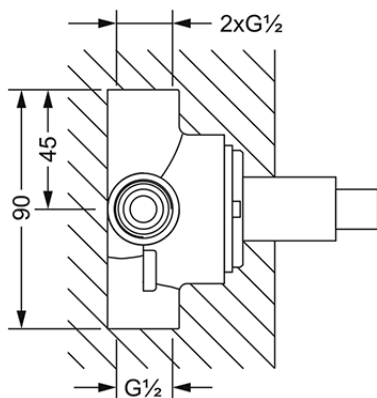


CHARLESTON ROYAL

649.40.600.xxx

Concealed 3-position diverter 1/2" diverter body

- for assembly set XXX.40.650.xxx
- flow rate 52 l/min at 3 bar



CHARLESTON ROYAL

615.50.234.xxx

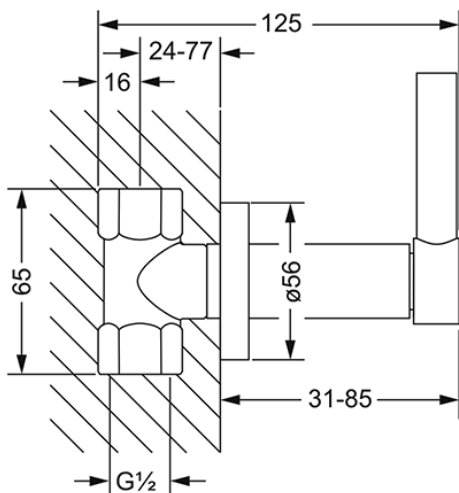
Concealed wall valve, assembly set



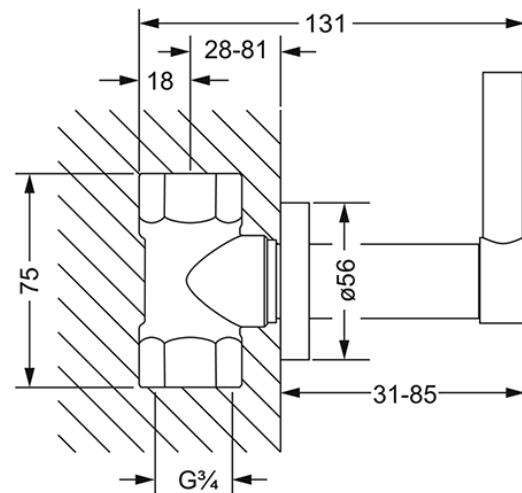
- socket with adjustable
- escutcheon
- flow rate for 1/2" 17 l/min at 3 bar
- flow rate for 3/4" 21 l/min at 3 bar

Required:

- **649.20.350.000** | Concealed wall valve 1/2", body, clockwise closure
- **649.20.355.000** | Concealed wall valve 1/2", body, counter-clockwise closure
- **649.20.450.000** | Concealed wall valve 3/4", body, clockwise closure
- **649.20.455.000** | Concealed wall valve 3/4", body, counter-clockwise closure



mit Einbaukörper 1/2"



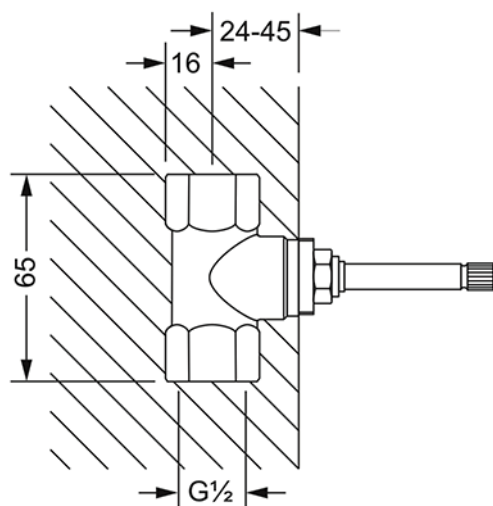
mit Einbaukörper 3/4"

CHARLESTON ROYAL

649.20.350.xxx

Concealed wall valve 1/2", body

- clockwise closure
- ceramic discs 1/2"
- flow rate 17 l/min at 3 bar



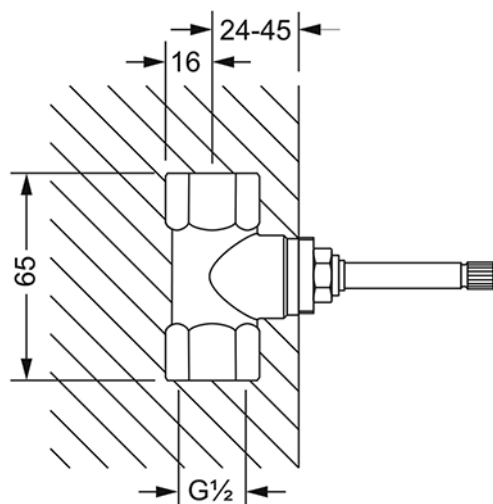
Einbaukörper 1/2"

CHARLESTON ROYAL

649.20.355.xxx

Concealed wall valve 1/2", body

- counter-clockwise closure
- ceramic discs 1/2"
- flow rate 17 l/min at 3 bar



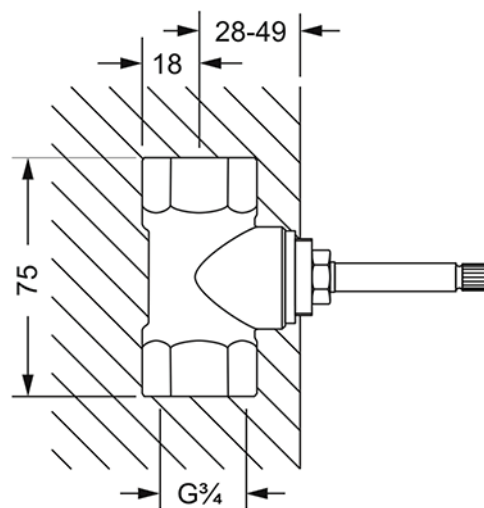
Einbaukörper 1/2"

CHARLESTON ROYAL

649.20.450.xxx

Concealed wall valve 1/2", body

- clockwise closure
- ceramic discs 3/4"
- flow rate 21 l/min at 3 bar



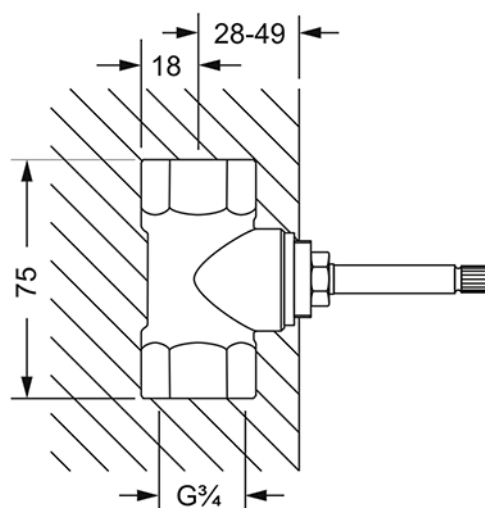
Einbaukörper 3/4"

CHARLESTON ROYAL

649.20.455.xxx

Concealed wall valve 1/2", body

- counter-clockwise closure
- ceramic discs 3/4"
- flow rate 21 l/min at 3 bar



Einbaukörper 3/4"

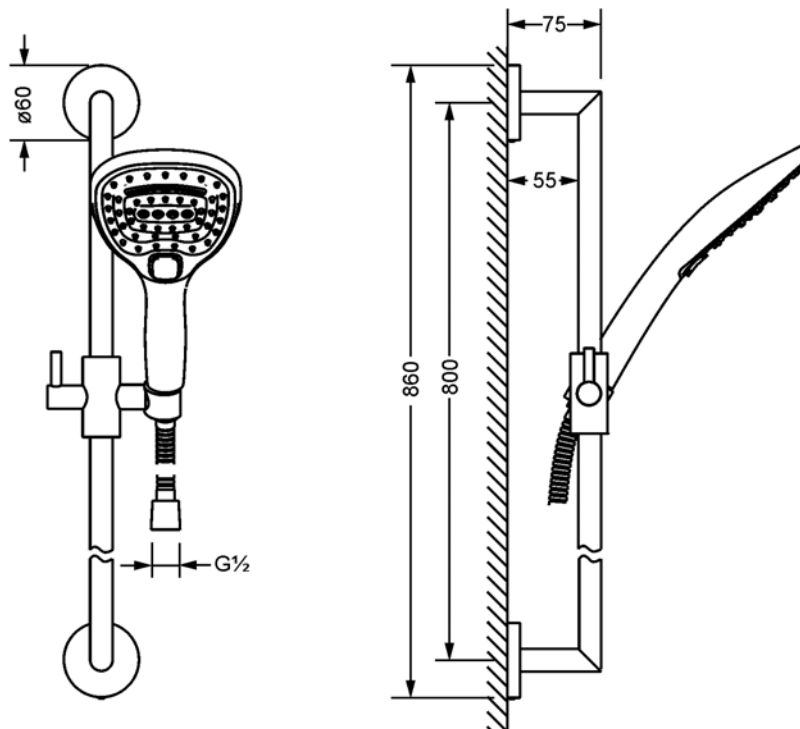
CHARLESTON ROYAL

632.13.300.xxx

Shower bar set, complete



- wall mounting
- wall bar 800 mm, with slider
- hand shower with 3 jets, anticalcareous system and backflow preventer
- flow rate hand shower 8,6 l/min at 3 bar
- metal shower hose 1750 mm, both sides with turning cone



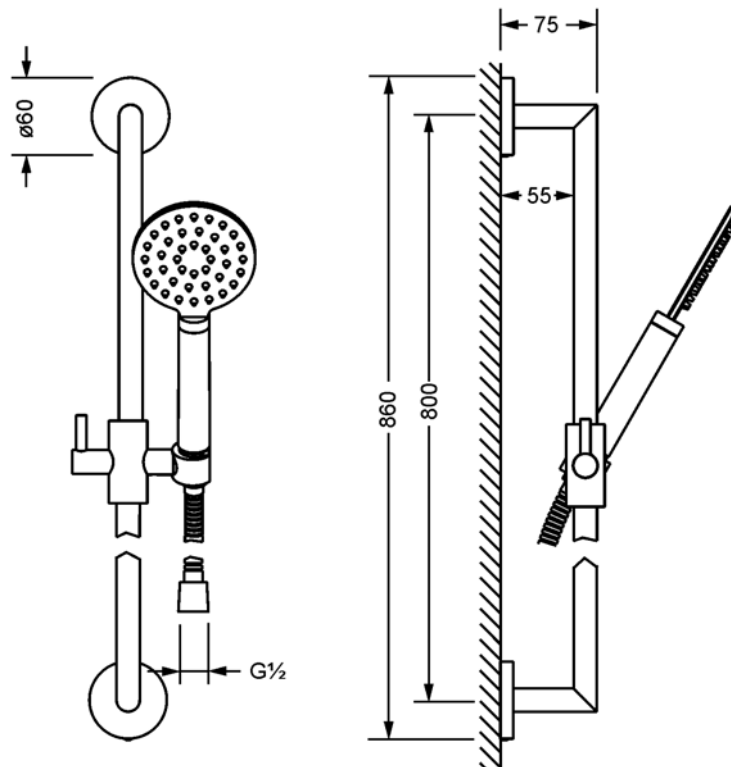
CHARLESTON ROYAL

632.13.305.xxx

Shower bar set, complete



- wall mounting
- wall bar 800 mm, with slider
- metal hand shower with anticalcareous system and backflow preventer
- flow rate hand shower 13,2 l/min at 3 bar
- metal shower hose 1750 mm, both sides with turning cone



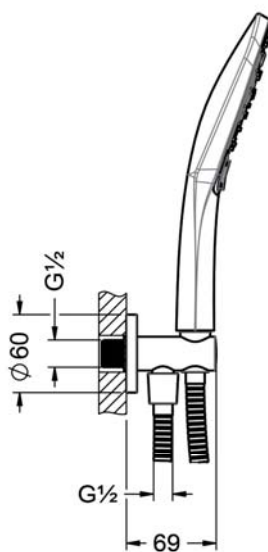
CHARLESTON ROYAL

632.13.210.xxx

Shower combination 1/2"



- wall fitting and elbow connection 1/2"
- hand shower with 3 jets: normal, soft, cascade with anticalcareous system and backflow preventer
- flow rate hand shower 8,6 l/min at 3 bar
- metal shower hose 1500 mm, both sides with turning cone



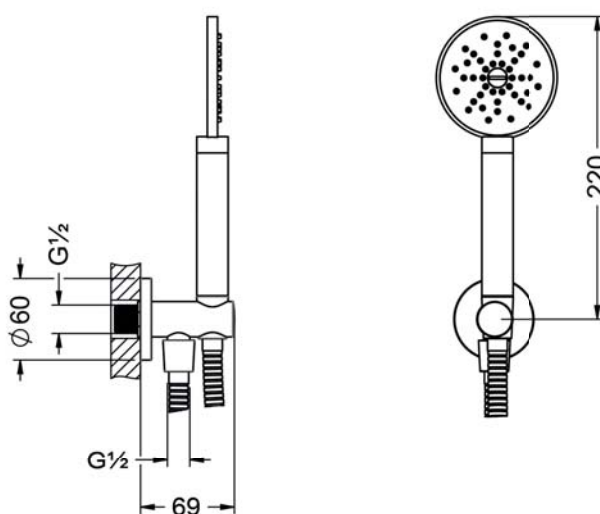
CHARLESTON ROYAL

632.13.215.xxx

Shower combination 1/2"



- wall fitting and elbow connection 1/2"
- metal hand shower with anticalcareous system and backflow preventer
- flow rate hand shower 13,2 l/min at 3 bar
- metal shower hose 1500 mm, both sides with turning cone

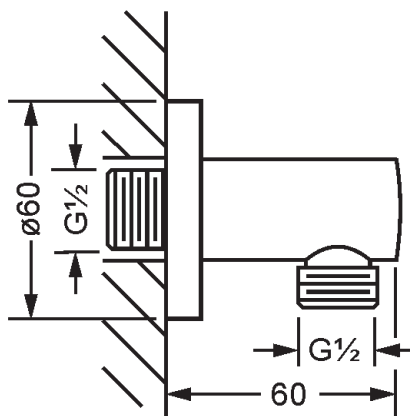


CHARLESTON ROYAL

632.13.150.xxx

Wall elbow connection without cradle 1/2"

- wall mounting
- discharge 1/2"
- with backflow preventer
- escutcheon

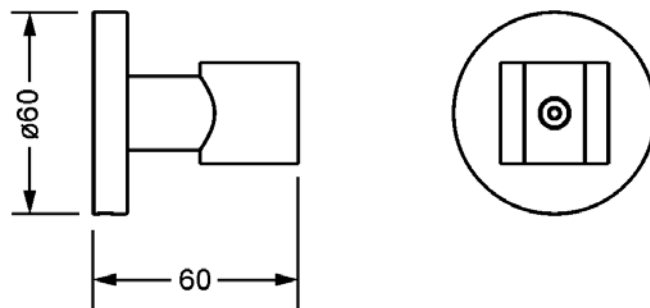


CHARLESTON ROYAL

632.13.270.xxx

Wall fitting for hand shower

- wall mounting
- escutcheon \varnothing 60



CHARLESTON ROYAL

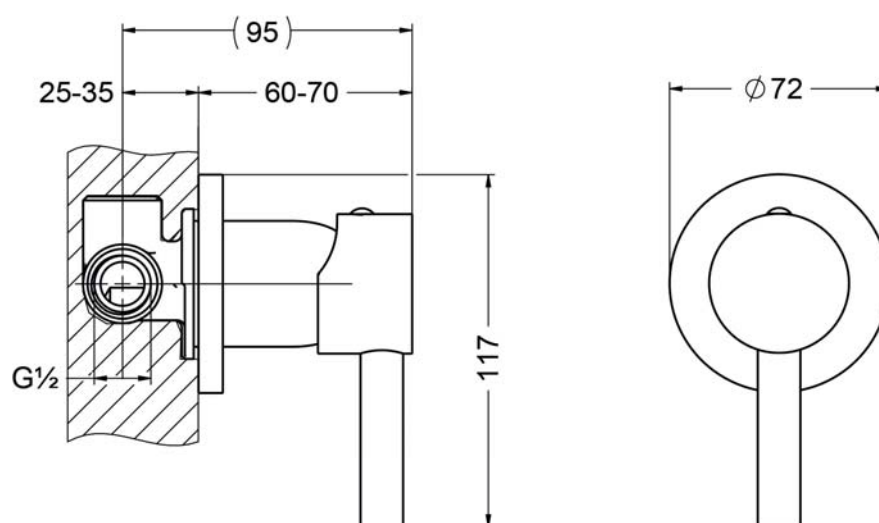
615.20.237.xxx

Concealed single lever for ablution spray, assembly set 1/2"

- design handle
- escutcheon
- flow rate 26 l/min at 3 bar

Required:

- **649.20.237.000** | Single lever mixer 1/2", concealed body

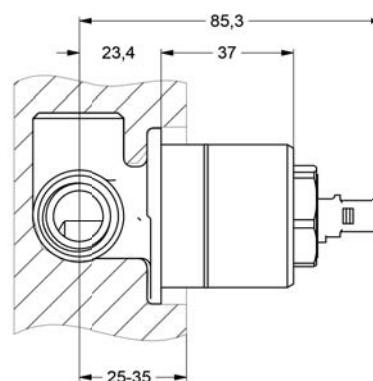
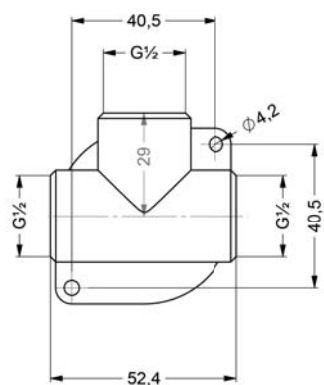


CHARLESTON ROYAL

649.20.237.xxx

Single lever mixer 1/2", concealed body

- cartridge with ceramic discs 1/2"
- for assembly set XXX.20.237.xxx
- flow rate 26 l/min at 3 bar



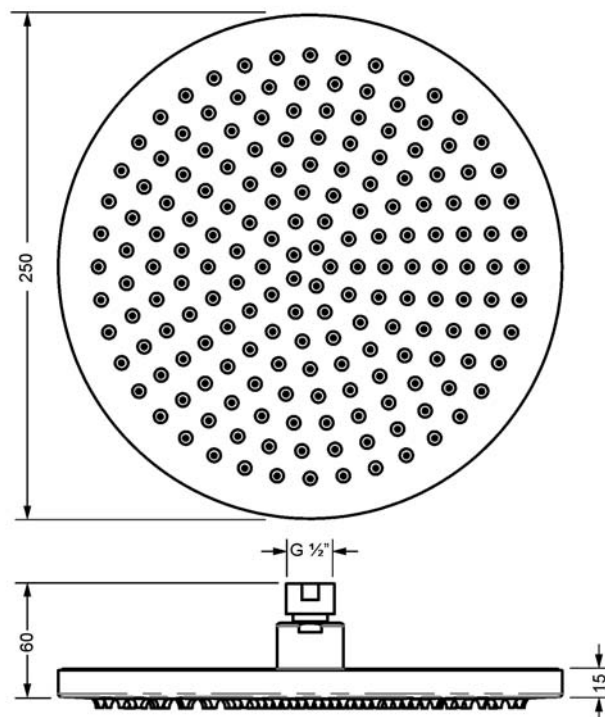
CHARLESTON ROYAL

649.13.885.xxx

Rain shower head ½", ø 250 mm

- material metal
- with ball joint
- with anticalcareous system
- flow rate 11 l/min at 3 bar
- without wall bracket

Please order wall or ceiling bracket with the rain shower head separately

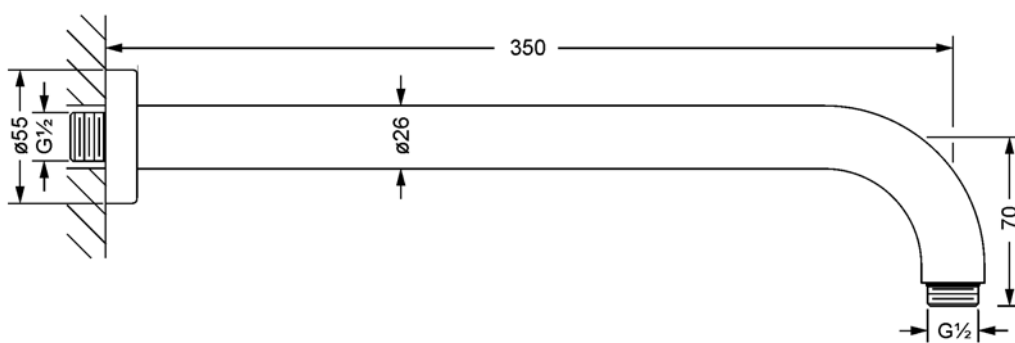


CHARLESTON ROYAL

649.13.755.xxx

Wall bracket 1/2"

- wall mounting
- spout projection 350 mm



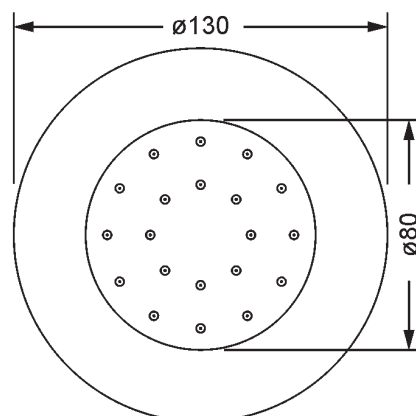
CHARLESTON ROYAL

649.13.519.xxx

Body spray side shower 1/2"



- wall mounting
- escutcheon \varnothing 130 mm
- material: plastic
- swivel shower head, 20°
- anticalcareous system
- flow rate 3,6 l/min at 3 bar



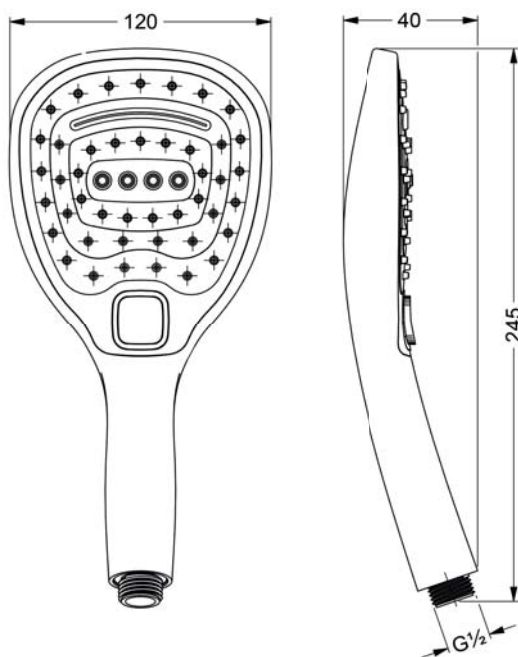
CHARLESTON ROYAL

649.13.381.xxx

Hand shower 1/2"



- material plastic
- anticalcareous system
- connection 1/2"
- with 3 jets: normal, soft, cascade
- flow rate 8,6 l/min at 3 bar



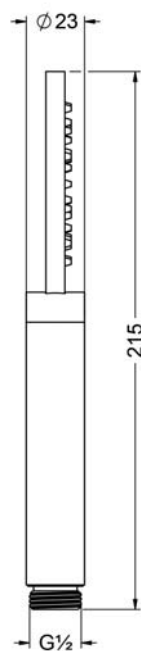
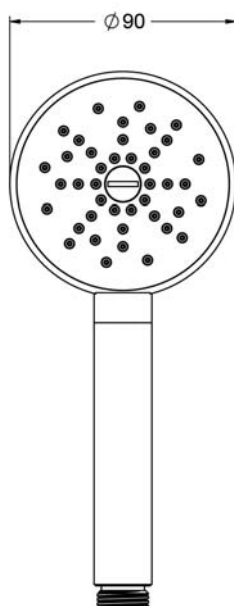
CHARLESTON ROYAL

649.13.391.xxx

Hand shower 1/2"



- material metal
- anticalcareous system
- connection 1/2"
- 1-spray hand shower
- flow rate 13,2 l/min at 3 bar

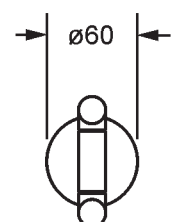
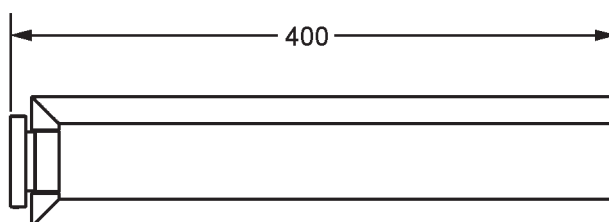


CHARLESTON ROYAL

632.00.002.xxx

Double towel bar

- wall model
- swivelling bars
- double
- approx. 400 mm

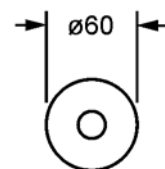
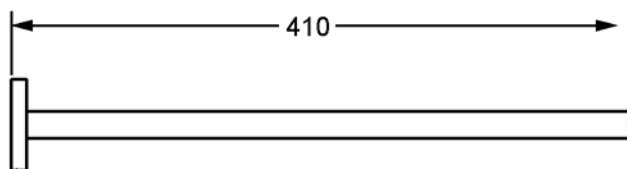


CHARLESTON ROYAL

632.00.004.xxx

Towel bar

- wall model
- rigid bar
- approx. 410 mm

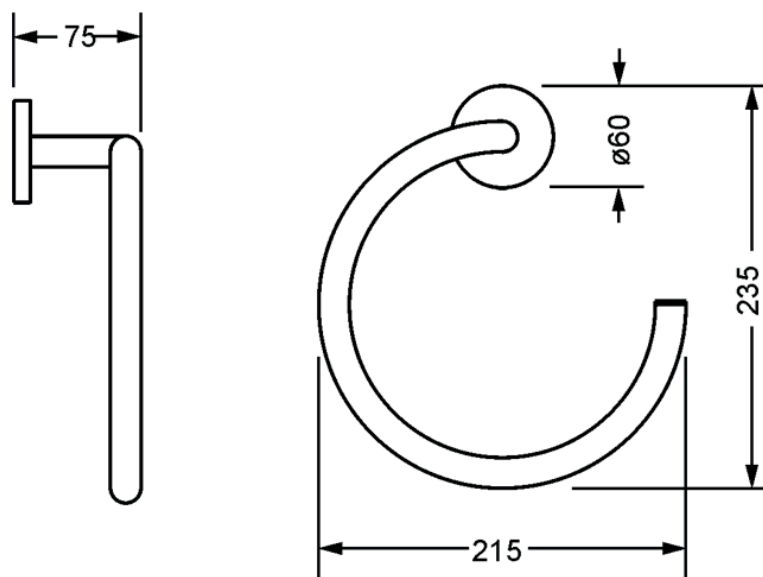


CHARLESTON ROYAL

632.00.047.xxx

Towel ring

- wall model
- open version

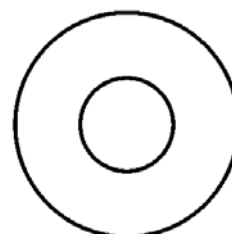
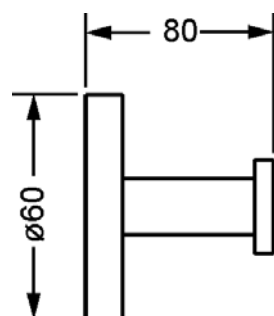


CHARLESTON ROYAL

632.00.022.xxx

Robe hanger

- wall model
- single

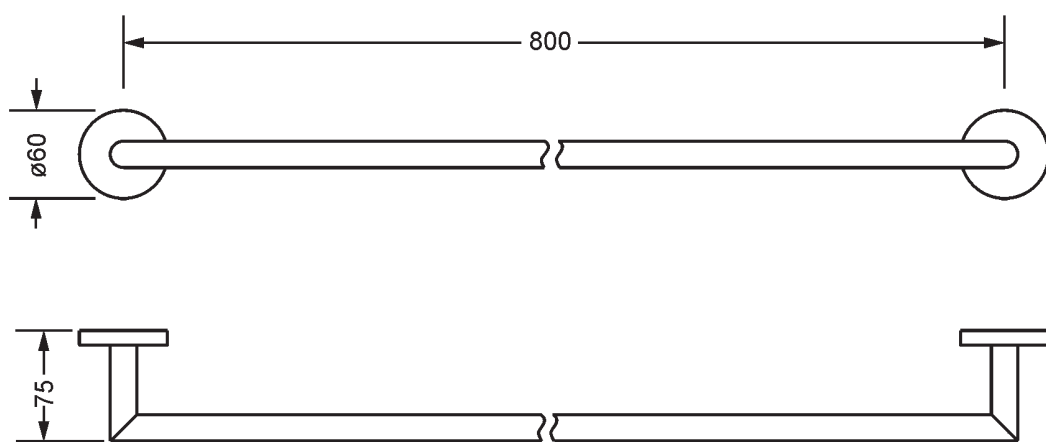


CHARLESTON ROYAL

632.00.040.xxx

Bath towel bar

- wall model
- approx. 800 mm

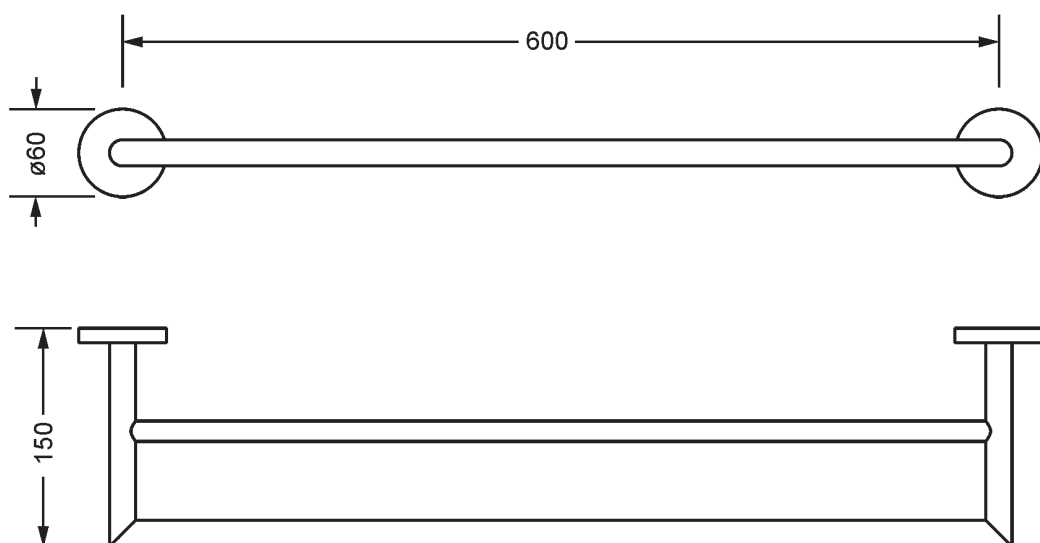


CHARLESTON ROYAL

632.00.041.xxx

Bath towel bar, double

- wall model
- approx. 600 mm

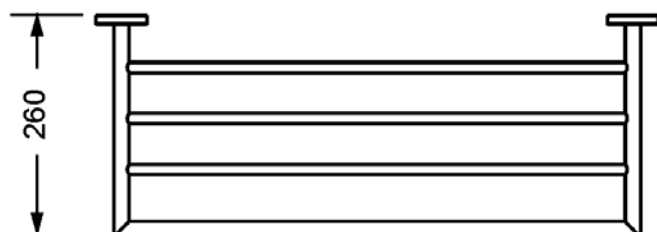
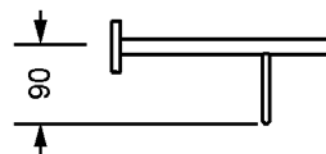
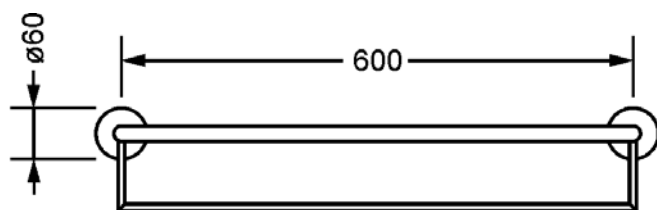


CHARLESTON ROYAL

632.00.048.xxx

Bath towel shelf

- wall model
- approx. 600 x 260 mm

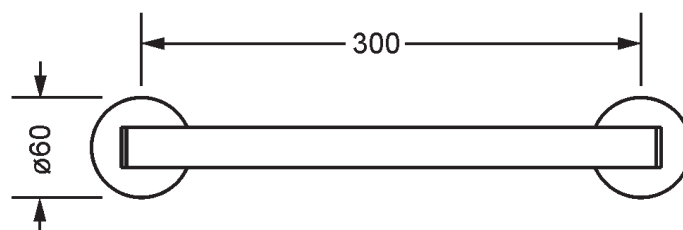


CHARLESTON ROYAL

632.00.031.xxx

Tub handle

- wall model
- approx. 300 mm

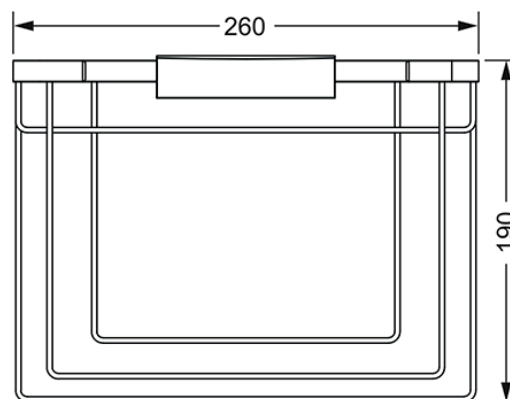
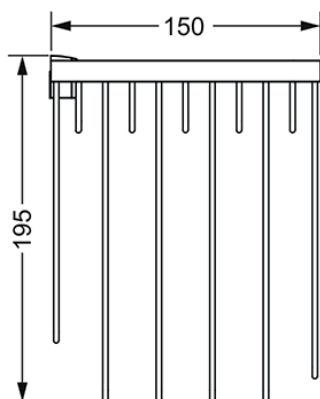


CHARLESTON ROYAL

634.00.104.xxx

Guest towel basket, angular

- wall model
- upper basket for clean towels
- bottom basket for used towels
- basket size 260 x 150 x 190 mm

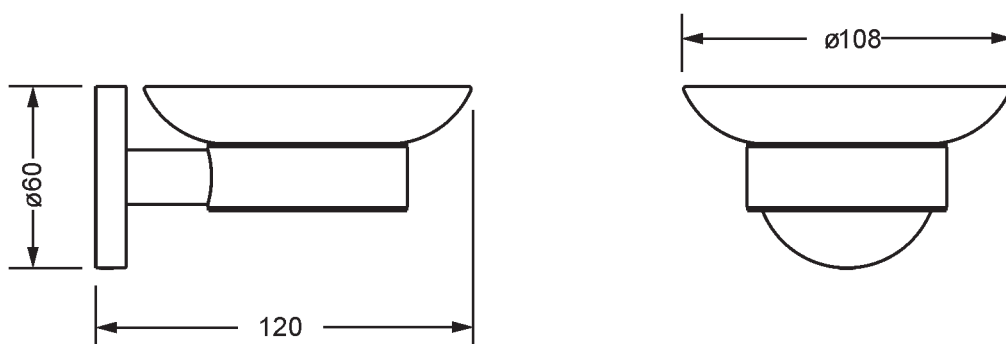


CHARLESTON ROYAL

632.00.007.xxx

Soap dish holder, complete

- wall model
- crystal glass dish, frosted

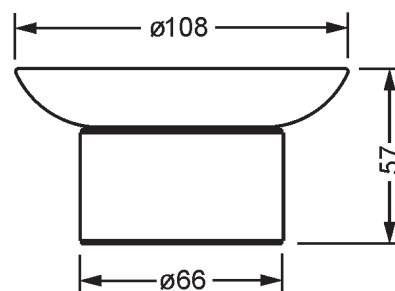


CHARLESTON ROYAL

632.00.017.xxx

Soap dish holder, complete

- free standing model
- crystal glass dish, frosted



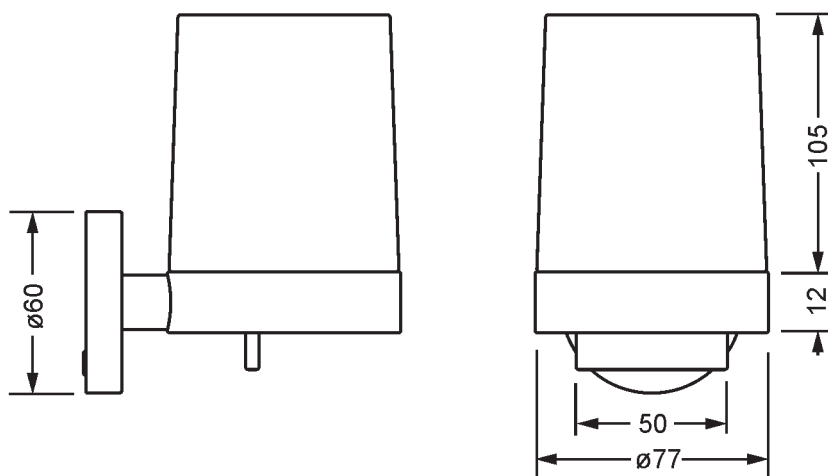
CHARLESTON ROYAL

632.00.005.xxx

Soap dispenser, complete



- wall model
- crystal glass hood, frosted
- easy filling from above
- actuation from below
- dosage: 0.5 ml /stroke
- filling volume 150 ml

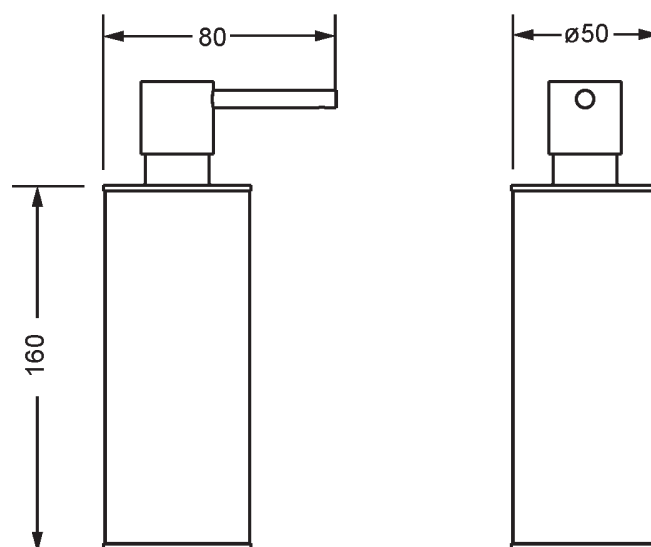


CHARLESTON ROYAL

632.00.016.xxx

Soap dispenser, complete

- free standing model
- metal

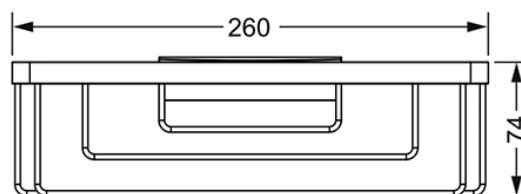
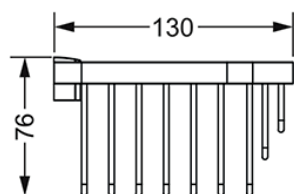
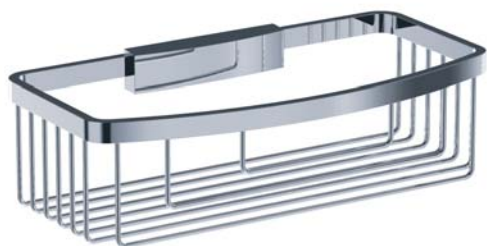


CHARLESTON ROYAL

634.00.105.xxx

Sponge basket

- wall model
- rectangular
- 260 x 130 mm

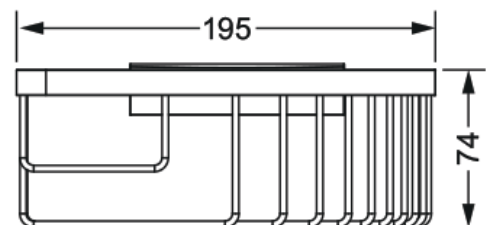
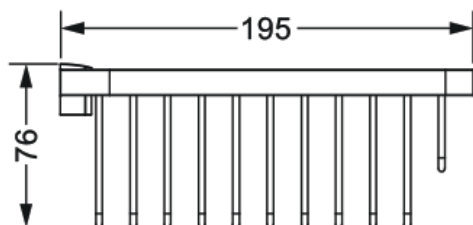


CHARLESTON ROYAL

634.00.106.xxx

Corner sponge basket

- wall model
- triangular
- 195 x 195 mm

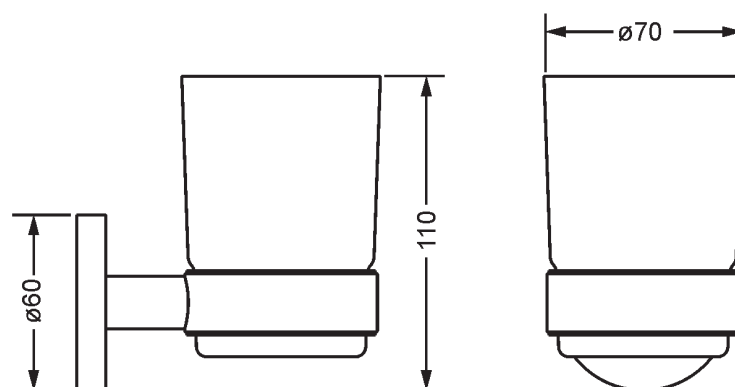


CHARLESTON ROYAL

632.00.036.xxx

Tumbler holder, complete

- wall model
- crystal glass tumbler, frosted

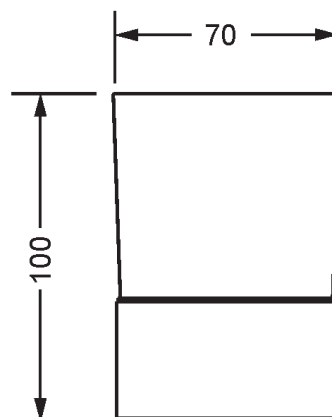


CHARLESTON ROYAL

632.00.046.xxx

Tumbler holder, complete

- free standing model
- crystal glass tumbler, frosted

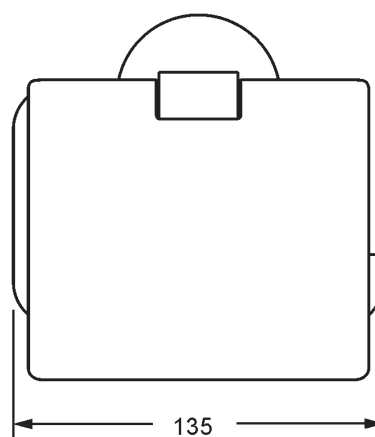
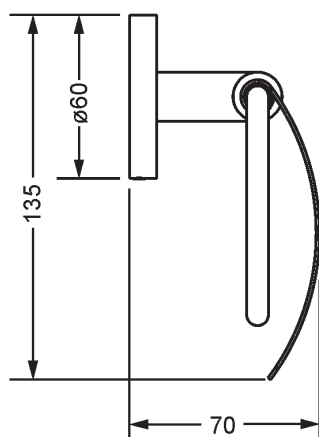


CHARLESTON ROYAL

632.00.014.xxx

Toilet paper roll holder

- wall model
- with lid

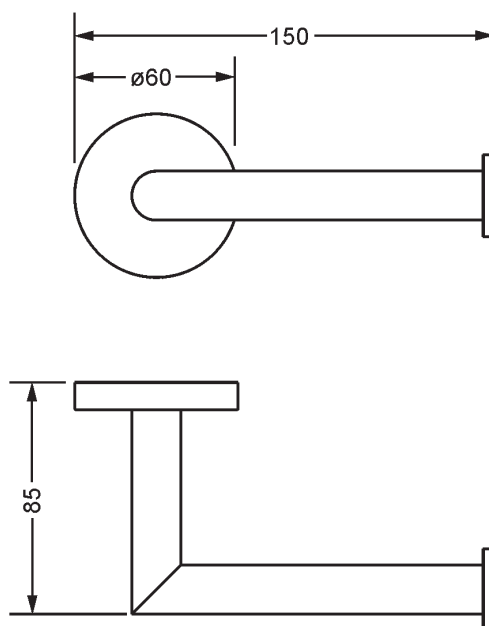


CHARLESTON ROYAL

632.00.015.xxx

Spare toilet paper roll holder

- wall model
- for a spare roll of paper



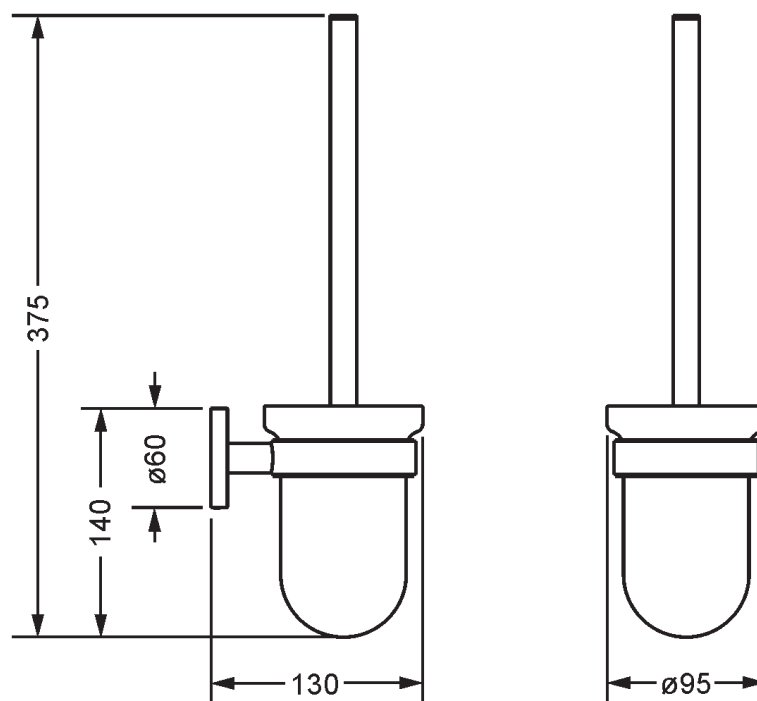
CHARLESTON ROYAL

632.00.000.xxx

Toilet brush holder set, complete



- wall model
- crystal glass, frosted



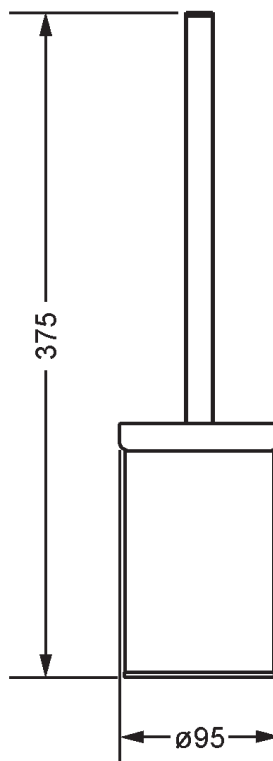
CHARLESTON ROYAL

632.00.001.xxx

Toilet brush holder set, complete



- free standing model
- constructed of solid brass



CHARLESTON ROYAL

649.00.414.xxx

Cosmetic mirror, inclusive lighting

- wall model
- swivelling and extendable
- magnification 3:1
- direct connection
- mirror \varnothing 185 mm
- frame \varnothing 250 mm
- touch control of the background light

