

Specification Sheet

DELPHI

109.30.300.xxx

Washbasin 3-hole mixer 1/2"



cross handle



white lever handle



metal lever handle



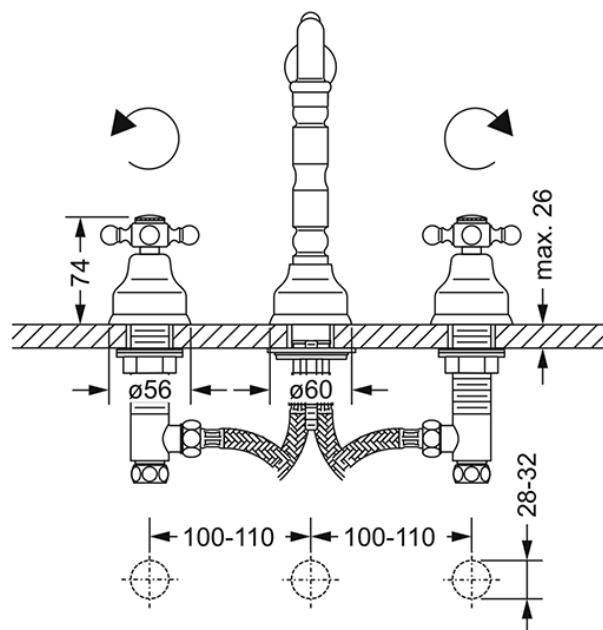
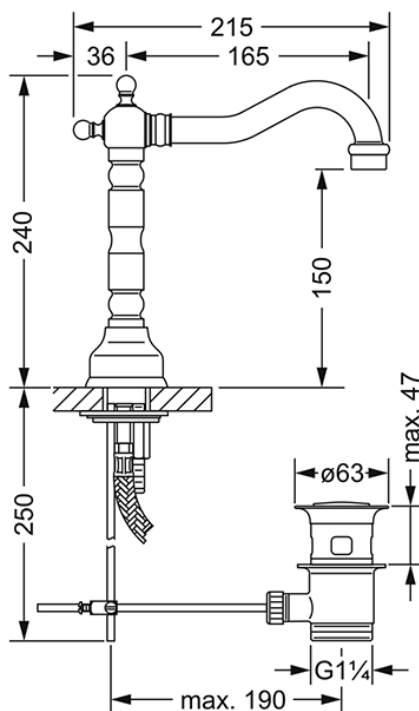
craquelé lever handle



- with cross handles
- spout projection 165 mm
- height 240 mm
- swivelling spout
- aerator M24x1
- 2 side valves with ceramic internal upper part 1/2", clockwise and counter-clockwise closure
- push-open waste 1 1/4"
- 2 flexible hoses M10 x 1 x 1/2" x 150 mm

Recommended:

- 2x 649.15.530.xxx | copper tube 300 mm



DELPHI

109.30.305.xxx

Washbasin 3-hole mixer 1/2"



cross handle



white lever handle



metal lever handle



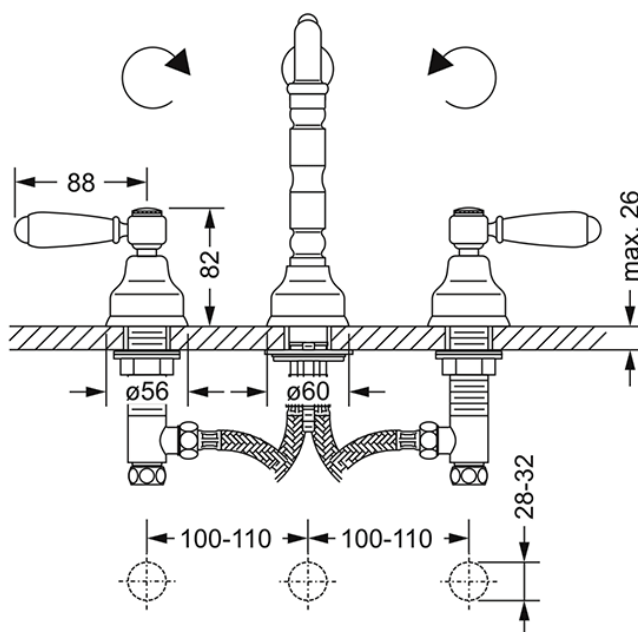
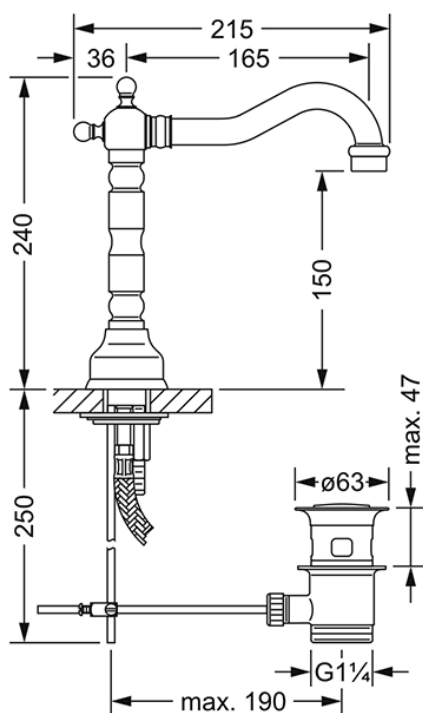
craquelé lever handle



- lever handles, white
- spout projection 165 mm
- height 240 mm
- swivelling spout
- aerator M24x1
- 2 side valves with ceramic internal upper part 1/2", clockwise and counter-clockwise closure
- pop-up waste 1 1/4"
- 2 flexible hoses M10 x 1 x 1/2" x 150 mm

Recommended:

- 2x 649.15.530.xxx | copper tube 300 mm



Specification Sheet

DELPHI

109.10.300.xxx

Washbasin 1-hole mixer 1/2"



cross handle



white lever handle



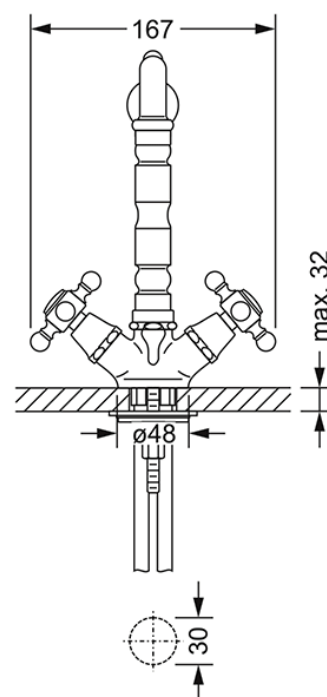
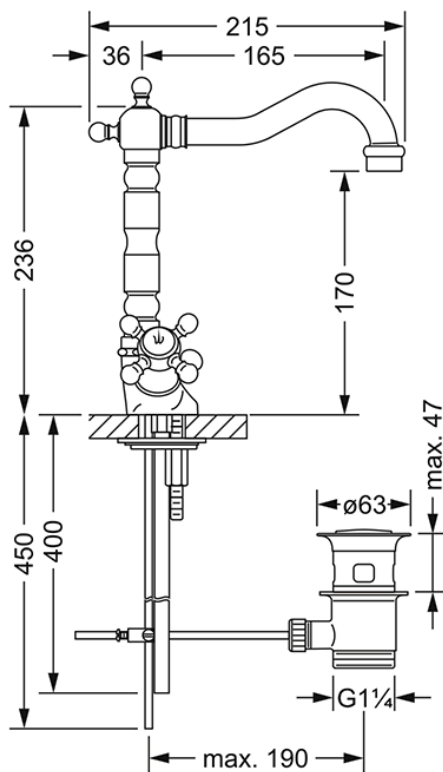
metal lever handle



craquelé lever handle



- with cross handles
- projection 165 mm
- height 236 mm
- swivelling spout
- aerator M24x1
- 2 cartridges 1/2" with ceramic discs, right/left closure
- pop-up waste 1 1/4"
- 2 copper tubes M10x1 x 400 mm



Specification Sheet

DELPHI

109.10.305.xxx

Washbasin 1-hole mixer 1/2"



cross handle



white lever handle



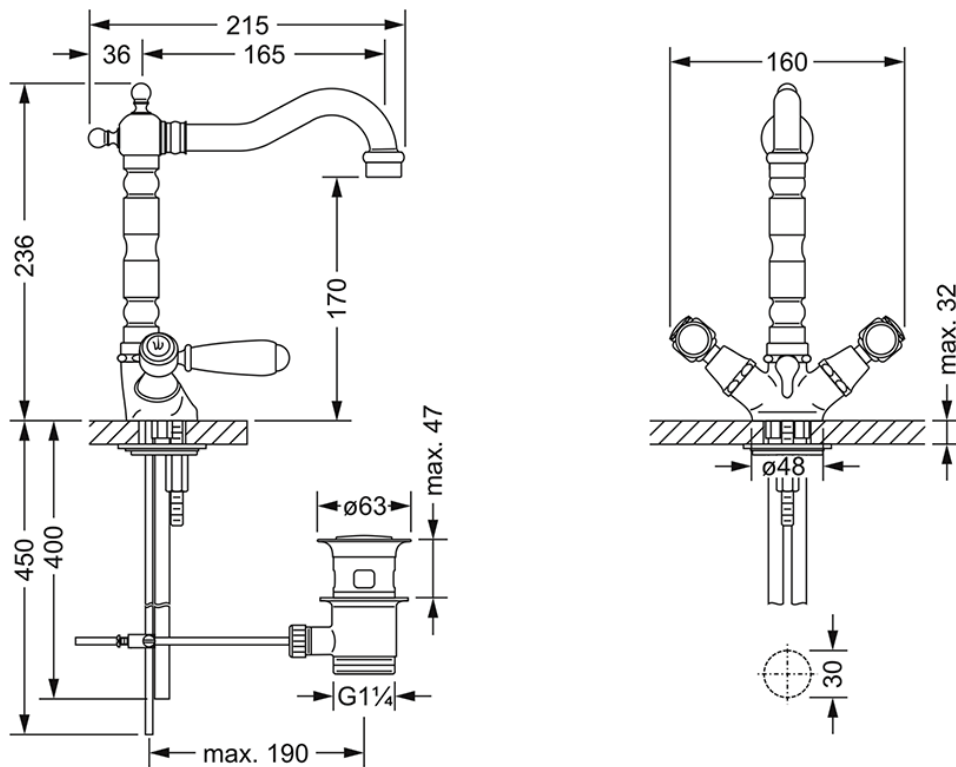
metal lever handle



craquelé lever handle



- lever handles, white
- projection 165 mm
- height 236 mm
- swivelling spout
- aerator M24x1
- 2 cartridges 1/2" with ceramic discs, right/left closure
- pop-up waste 1 1/4"
- 2 copper tubes M10x1 x 400 mm



DELPHI

109.10.333.xxx

Single lever washbasin mixer 1/2"



white lever handle



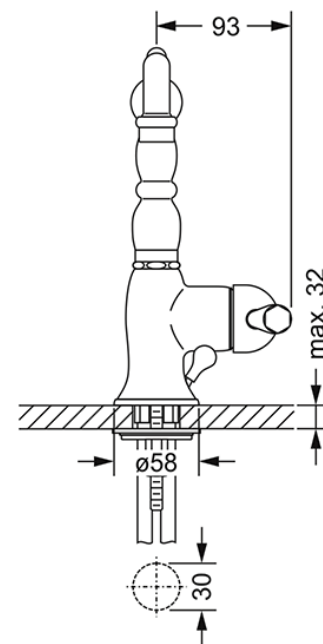
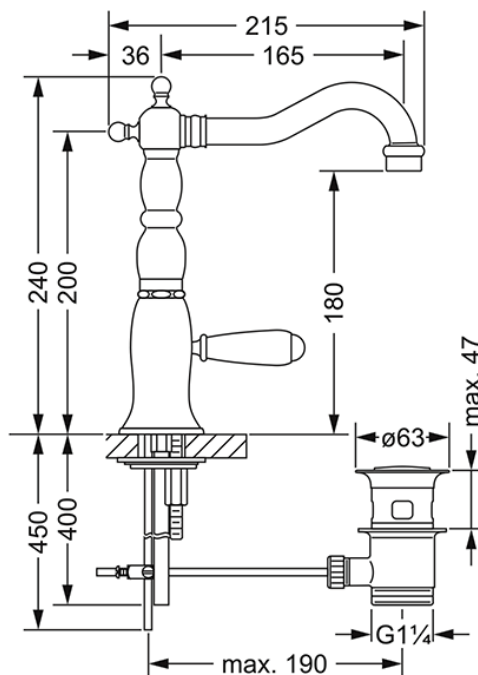
metal lever handle



craquelé lever handle



- with lever handle, white
- spout projection 165 mm
- height 240 mm
- swivelling spout
- aerator M24x1
- cartridge with ceramic discs 1/2"
- pop-up waste 1 1/4"
- 2 copper tubes M10x1 x 400 mm



DELPHI

109.10.332.xxx

Single lever washbasin mixer 1/2"



white lever handle



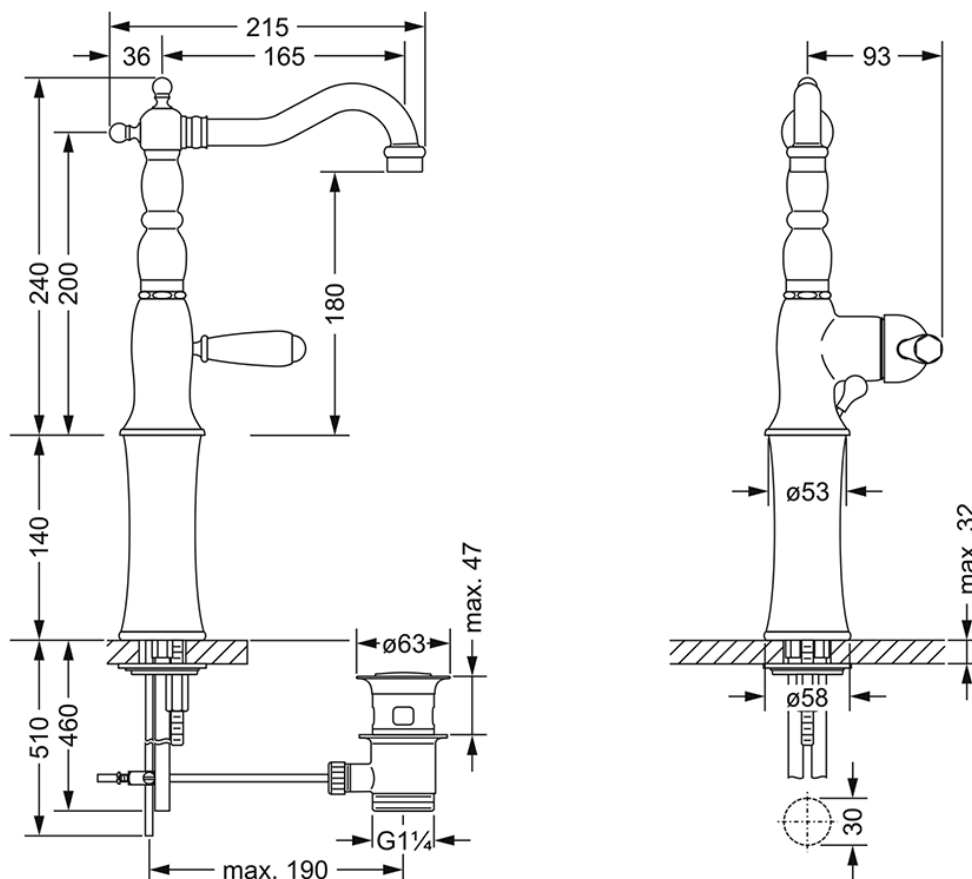
metal lever handle



craquelé lever handle



- with body extension 140 mm
- lever handle, white
- spout projection 165 mm
- height 380 mm
- swivelling spout
- aerator M24x1
- cartridge with ceramic discs 1/2"
- pop-up waste
- 2 pressure hoses M10x1 x 600 mm



DELPHI

109.10.337.xxx

Single lever washbasin mixer 1/2"



white lever handle



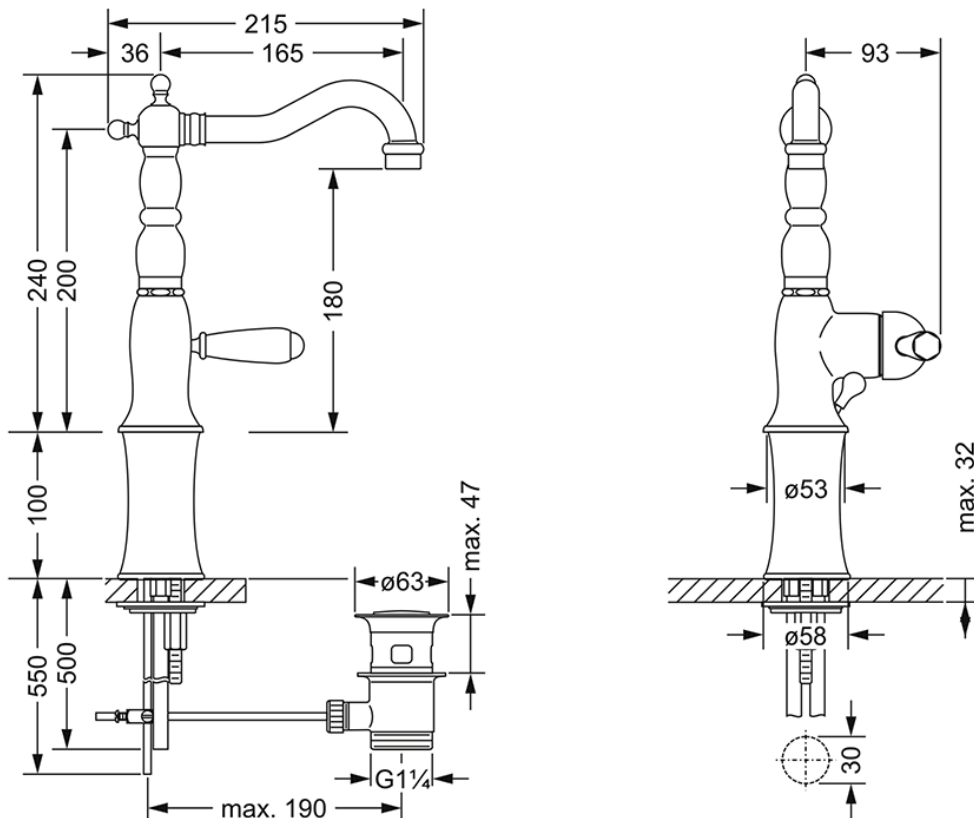
metal lever handle



craquelé lever handle



- with body extension 100 mm
- with lever handle, white
- spout projection 165 mm
- height 340 mm
- swivelling spout
- aerator M24x1
- cartridge with ceramic discs 1/2"
- pop-up waste 1 1/4"
- 2 pressure hoses M10x1 x 600 mm



DELPHI

109.10.400.xxx

Deck mount tap 1/2"



cross handle



white lever handle

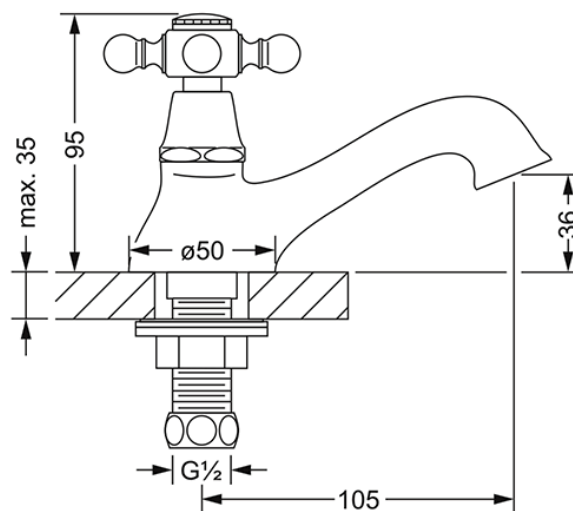


metal lever handle



craquelé lever handle

- with cross handle
- spout projection 105 mm
- height 95 mm
- without aerator



DELPHI

109.10.405.xxx

Deck mount tap 1/2"



cross handle



white lever handle



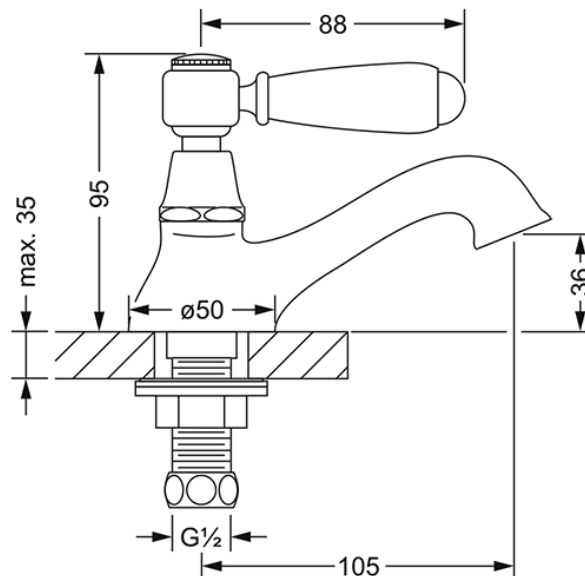
metal lever handle



craquelé lever handle



- lever handle, white
- spout projection 105 mm
- height 95 mm
- without aerator
- cartridge 1/2"



DELPHI

109.30.360.xxx

Wall washbasin 3-hole mixer, assembly set 1/2"



cross handle



white lever handle



metal lever handle



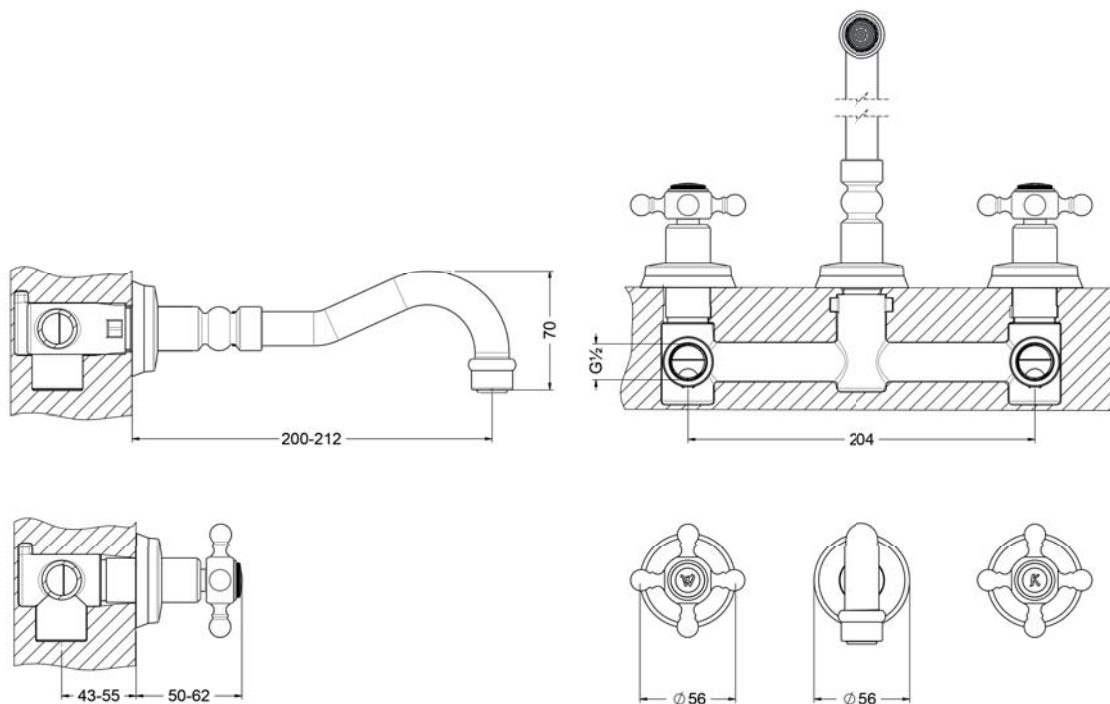
craquelé lever handle



- wall mounting
- cross handle
- wall spout
- projection 200-212 mm
- aerator M24x1
- design handle, socket with adjustable escutcheon
- cartridges with ceramic discs 1/2"

Required:

- **649.30.380.000** | Concealed body 1/2"



DELPHI

109.30.365.xxx

Wall washbasin 3-hole mixer, assembly set 1/2"



cross handle



white lever handle



metal lever handle



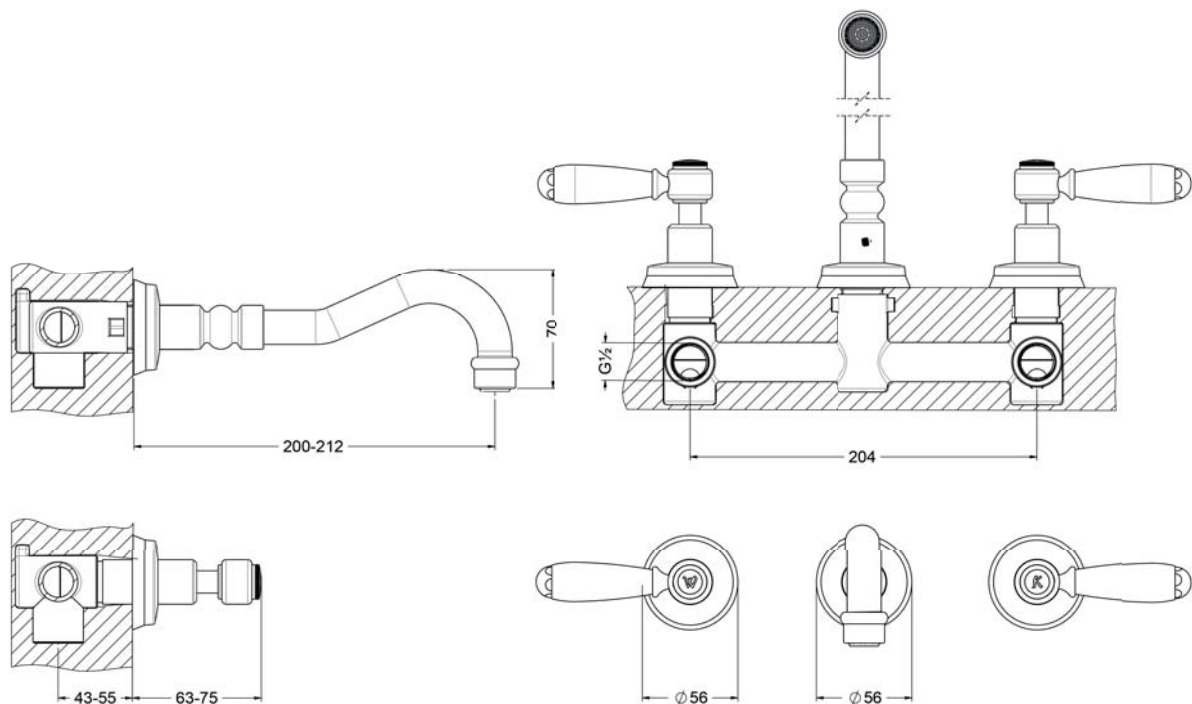
craquelé lever handle



- wall mounting
- lever handles, white
- wall spout
- projection 200-212 mm
- aerator M24x1
- design handle, socket with adjustable escutcheon
- cartridges with ceramic discs 1/2"

Required:

- **649.30.380.000** | Concealed body 1/2"

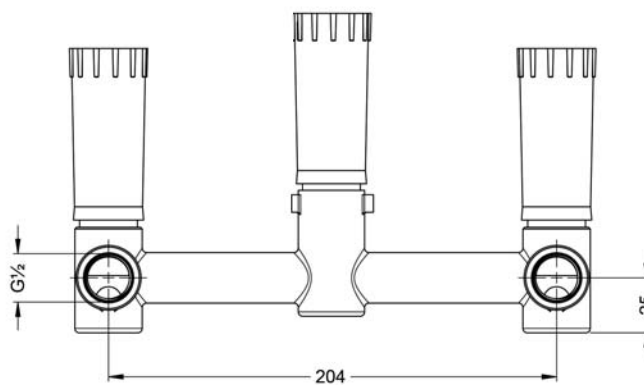
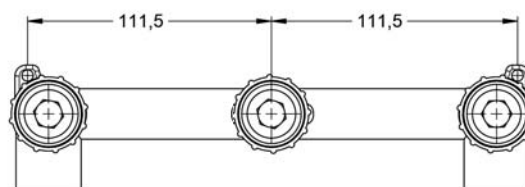
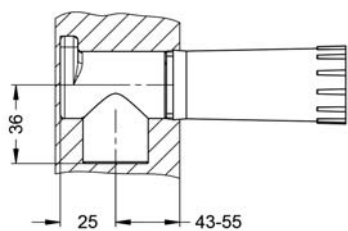


DELPHI

649.30.380.000

Wall washbasin 3-hole mixer, concealed body 1/2"

- 2 connections 1/2", center distance 204 mm
- for assembly set XXX.30.360.xxx and XXX.30.365.xxx



DELPHI

109.12.100.xxx

Angle valve 1/2"



cross handle



white lever handle



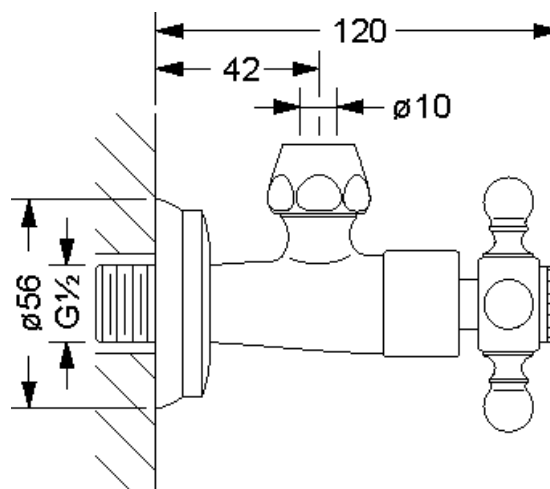
metal lever handle



craquelé lever handle



- wall mounting
- cross handle
- spout projection 120 mm
- cartridge 1/2"
- compression join t 1/2"
- escutcheon



DELPHI

109.12.105.xxx

Angle valve 1/2"



cross handle



white lever handle



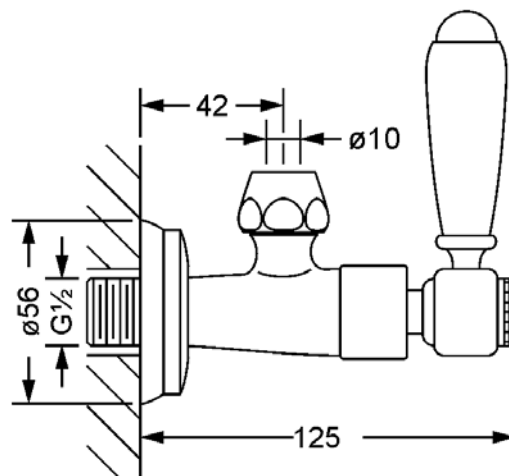
metal lever handle



craquelé lever handle



- wall mounting
- lever handle, white
- spout projection 120 mm
- cartridge 1/2"
- compression join t 1/2"
- escutcheon

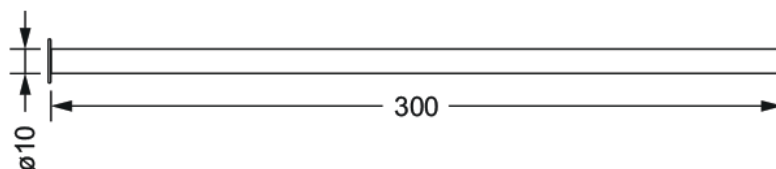


DELPHI

649.15.530.xxx

Copper tube, 300 mm

- with flange
- for compression joint

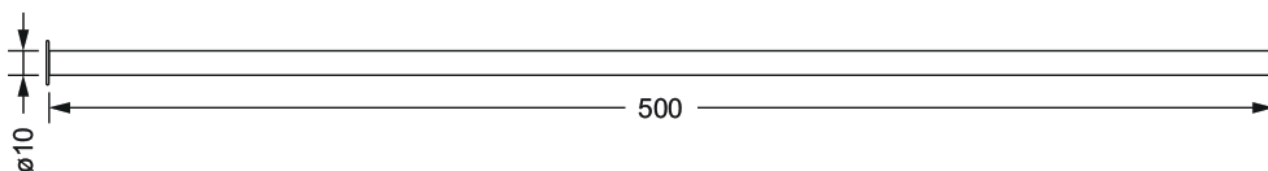


DELPHI

649.15.550.xxx

Copper tube, 500 mm

- with flange
- for compression joint

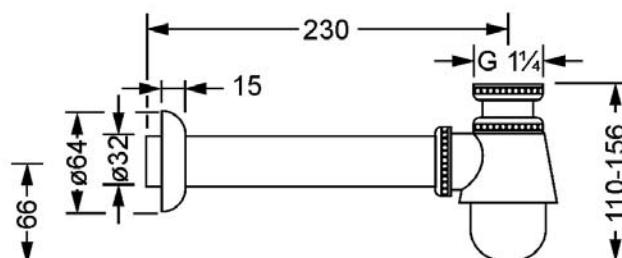


DELPHI

649.15.330.xxx

Bidet cupped siphon trap 1 ¼"

- wall mounting
- heavy brass
- escutcheon
- outlet tube \varnothing 32 mm



DELPHI

109.30.100.xxx

Bidet 3-hole mixer 1/2"



cross handle



white lever handle



metal lever handle



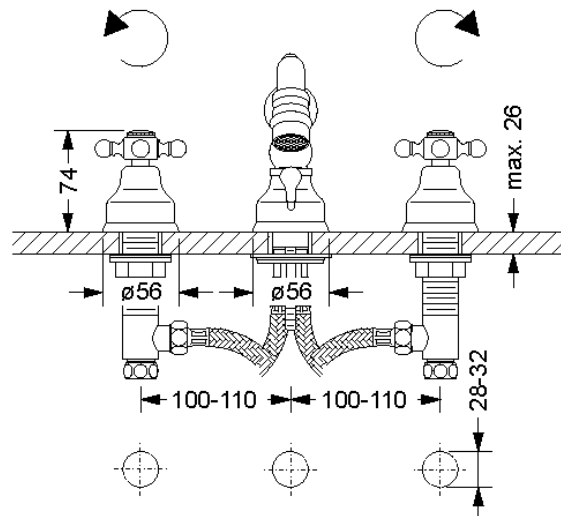
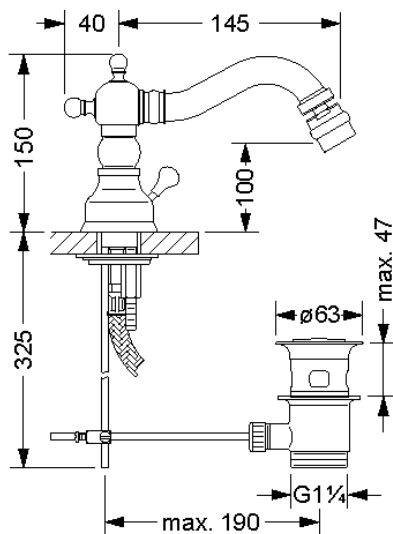
craquelé lever handle



- with cross handles
- spout projection 145 mm
- height 150 mm
- swivelling spout
- aerator M24x1 with ball joint
- 2 side valves with ceramic internal upper parts 1/2", right/left closure
- pop-up waste 1 1/4"

Recommended:

- 2x 649.15.530.xxx | copper tube 300 mm



DELPHI

109.30.105.xxx

Bidet 3-hole mixer 1/2"



cross handle



white lever handle



metal lever handle



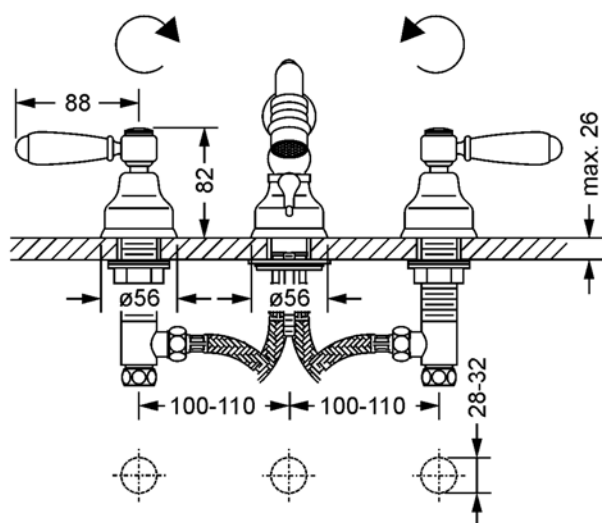
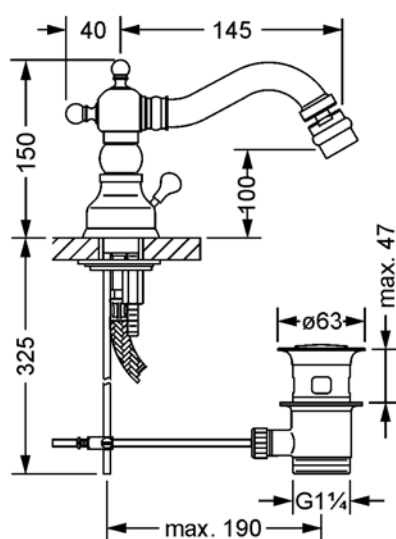
craquelé lever handle



- lever handles, white
- spout projection 145 mm
- height 150 mm
- swivelling spout
- aerator M24x1 with ball joint
- ceramic internal upper part 1/2"
- pop-up waste 1 1/4"
- 2 pressure hoses M10x1 x 450 mm

Recommended:

- 2x 649.15.530.xxx | copper tube 300 mm



DELPHI

109.10.111.xxx

Single lever bidet mixer 1/2"



white lever handle



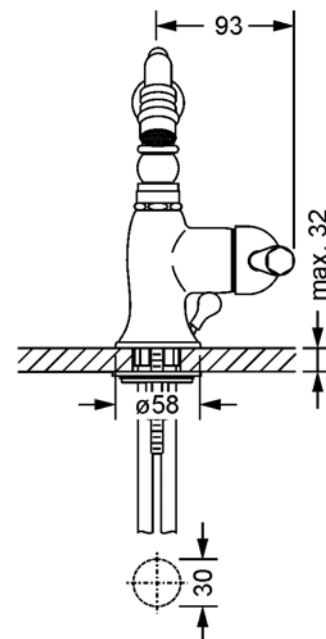
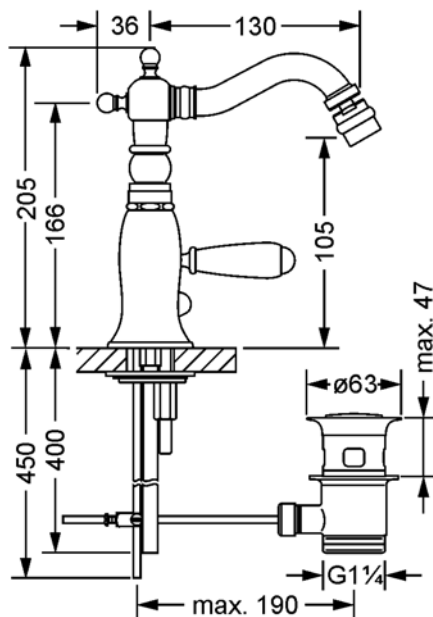
metal lever handle



craquelé lever handle



- with white lever handle
- spout projection 130 mm
- height 205 mm
- aerator M24x1 with ball joint
- swivelling spout
- cartridge with ceramic discs 1/2"
- pop-up waste 1 1/4"
- 2 pressure hoses M10x1 x 450 mm



DELPHI

109.10.100.xxx

Bidet 1-hole mixer 1/2"



cross handle



white lever handle



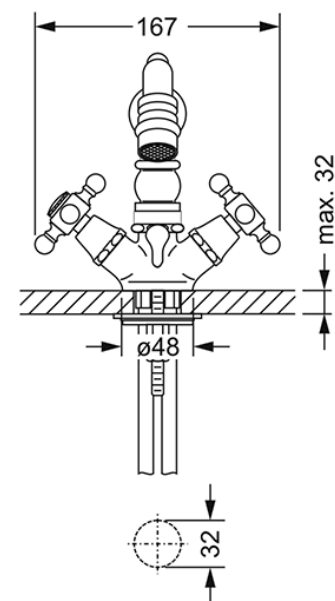
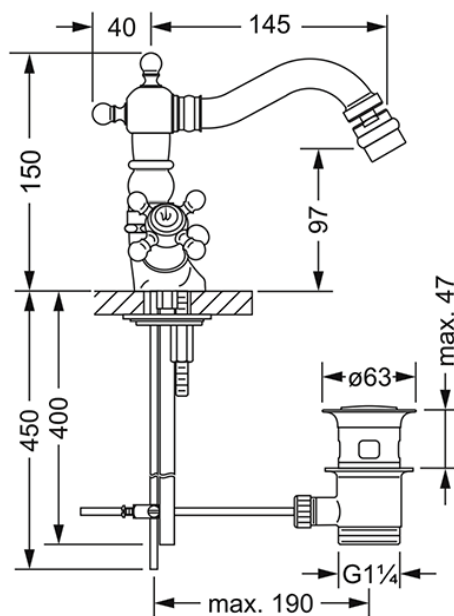
metal lever handle



craquelé lever handle



- with cross handles
- spout projection 145 mm
- height 150 mm
- swivelling spout
- aerator M24x1 with ball joint
- ceramic internal upper part 1/2"
- pop-up waste 1 1/4"
- 2 pressure hoses M10x1 x 450 mm



DELPHI

109.10.105.xxx

Bidet 1-hole mixer 1/2"



cross handle



white lever handle



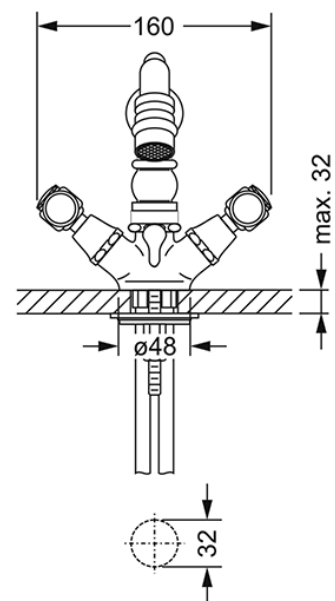
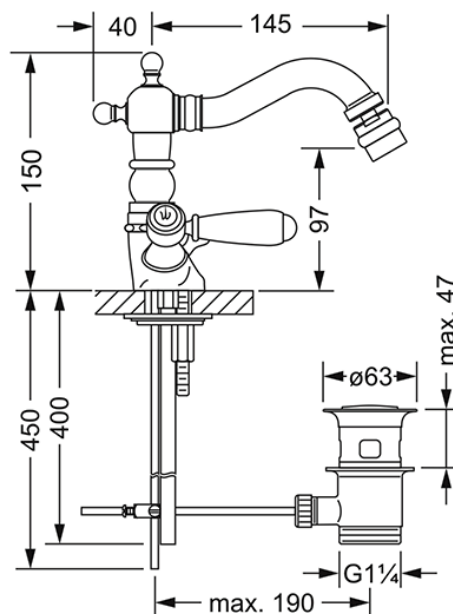
metal lever handle



craquelé lever handle



- with lever handles, white
- spout projection 145 mm
- height 150 mm
- swivelling spout
- aerator M24x1 with ball joint
- ceramic internal upper part 1/2"
- pop-up waste 1 1/4"
- 2 pressure hoses M10x1 x 450 mm



DELPHI

109.40.100.xxx

Tub/shower mixer set, deck mount 1/2"



cross handle



white lever handle



metal lever handle



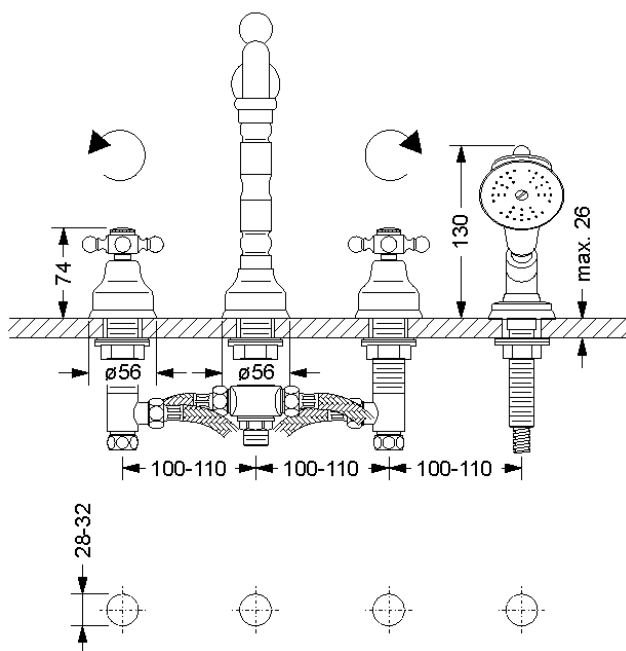
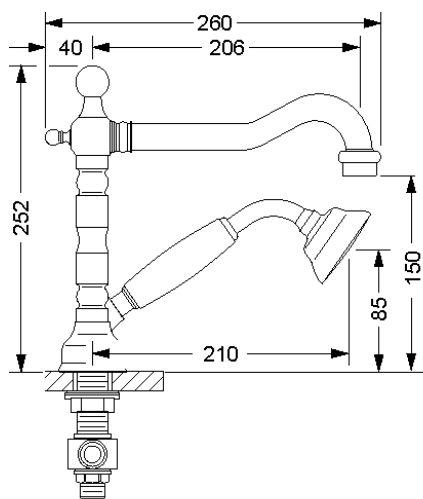
craquelé lever handle



- with cross handles
- spout projection 206 mm
- height 252 mm
- aerator M28 x 1
- fixed spout
- 2 side valves, ceramic internal upper parts 1/2"
- automatic tub/shower diverter
- metal shower hose 2.000 mm
- metal hand shower with anticalcareous system and backflow preventer
- flow rate hand shower 22 l/min at 3 bar

Recommended:

- **649.40.160.000** | Assembly plate, complete



Specification Sheet

DELPHI

109.40.105.xxx

Tub/shower mixer set, deck mount 1/2"



cross handle



white lever handle



metal lever handle



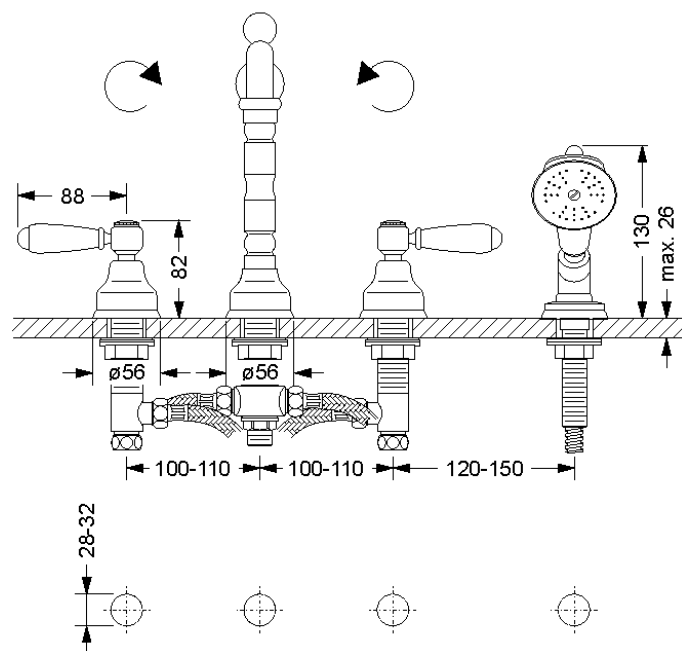
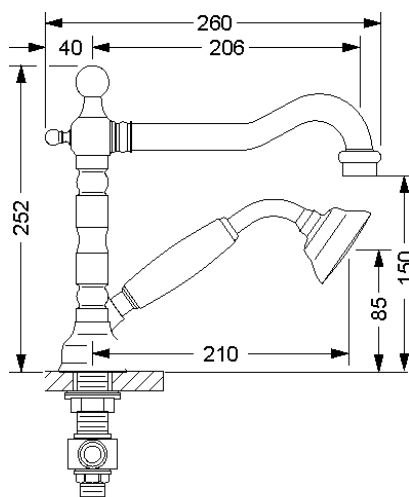
craquelé lever handle



- with lever handles
- spout projection 206 mm
- height 252 mm
- aerator M28 x 1
- fixed spout
- 2 side valves, ceramic internal upper parts 1/2"
- automatic tub/shower diverter
- metal shower hose 2.000 mm
- metal hand shower with anticalcareous system and backflow preventer
- flow rate hand shower 22 l/min at 3 bar

Recommended:

- **649.40.160.000** | Assembly plate, complete



DELPHI

109.40.150.xxx

Tub/shower combination 1/2"



cross handle



white lever handle



metal lever handle



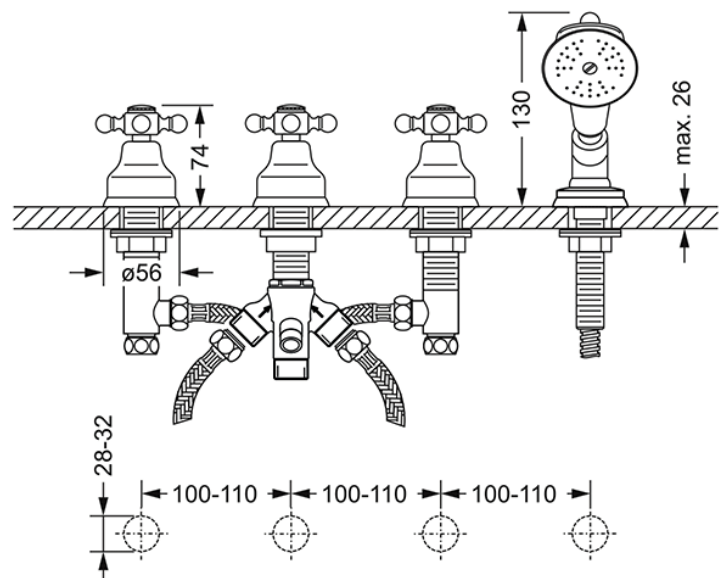
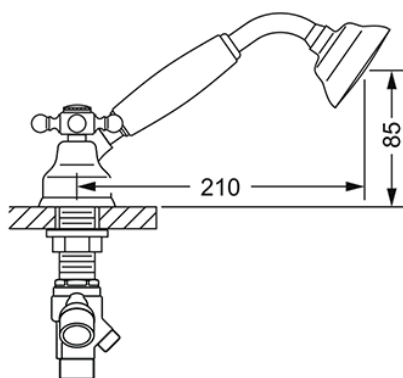
craquelé lever handle



- cross handles
- for waste and overflow set with bath tub filler spout, without pipe interrupter
- 2 side valves, ceramic internal upper parts 1/2", 2-position diverter
- metal shower hose 2000 mm
- metal hand shower with anticalcareous system and backflow preventer
- flow rate hand shower 22 l/min at 3 bar

Recommended:

- **649.40.160.000** | Assembly plate, complete



Specification Sheet

DELPHI

109.40.155.xxx

Tub/shower combination 1/2"



cross handle



white lever handle



metal lever handle



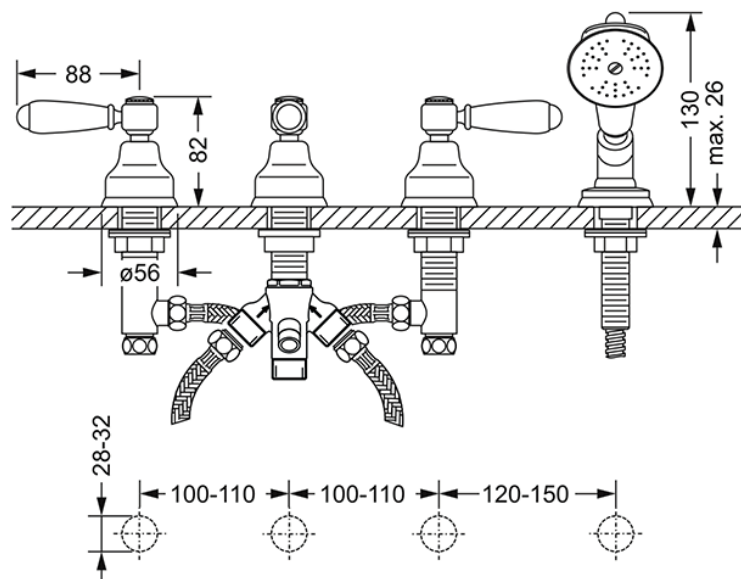
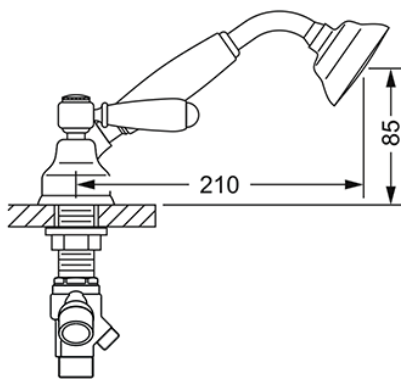
craquelé lever handle



- lever handles, white
- for waste and overflow set with bath tub filler spout, without pipe interrupter
- 2 side valves, ceramic internal upper parts 1/2", 2-position diverter
- metal shower hose 2000 mm
- metal hand shower with anticalcareous system and backflow preventer
- flow rate hand shower 22 l/min at 3 bar

Recommended:

- **649.40.160.000** | Assembly plate, complete

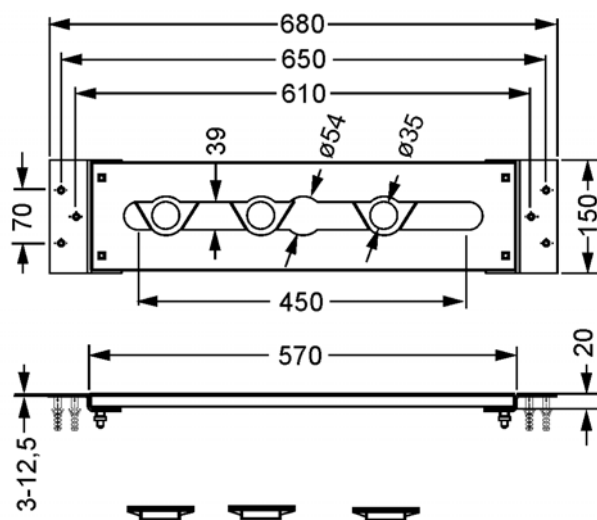


DELPHI

649.40.160.000

Assembly plate module

- installation under tiles or bath rim
- dimensions 680 x 150 mm
- complete metal plate with mounting elements
- recommended hose box system 649.40.150.000, 649.40.170.000



DELPHI

109.20.100.xxx

Exposed tub/shower mixer, inclusive shower set 1/2"



cross handle



white lever handle



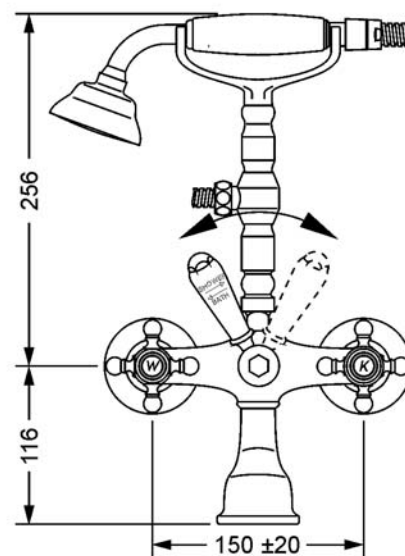
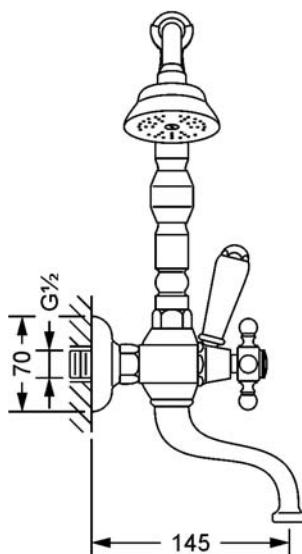
metal lever handle



craquelé lever handle



- wall mounting
- with cross handles
- spout projection 145 mm
- without aerator
- fixed spout
- tub/shower diverter
- metal hand shower with anticalcareous system and backflow preventer
- flow rate hand shower 22 l/min at 3 bar
- metal shower hose 1500 mm, both sides with turning cone
- ceramic internal upper parts 1/2"
- concealed S-connections 1/2" x 3/4"



DELPHI

109.20.105.xxx

Exposed tub/shower mixer, inclusive shower set 1/2"



cross handle



white lever handle



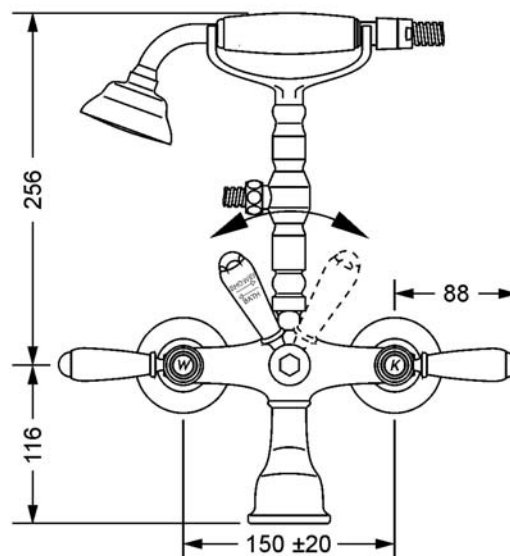
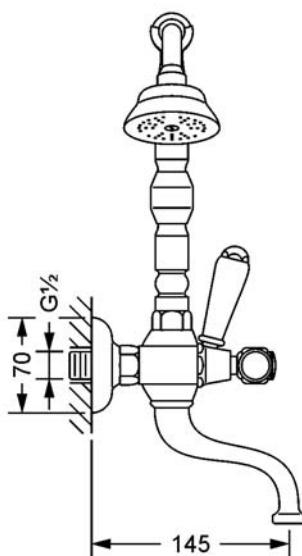
metal lever handle



craquelé lever handle



- wall mounting
- lever handles, white
- spout projection 145 mm
- without aerator
- fixed spout
- tub/shower diverter
- metal hand shower with anticalcareous system and backflow preventer
- flow rate hand shower 22 l/min at 3 bar
- metal shower hose 1500 mm, both sides with turning cone
- ceramic internal upper parts 1/2"
- concealed S-connections 1/2" x 3/4"



DELPHI

109.20.500.xxx

Single lever exposed tub/shower mixer, incl. shower set 1/2"



white lever handle



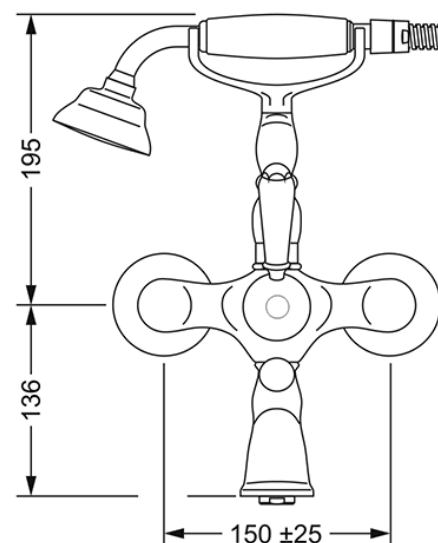
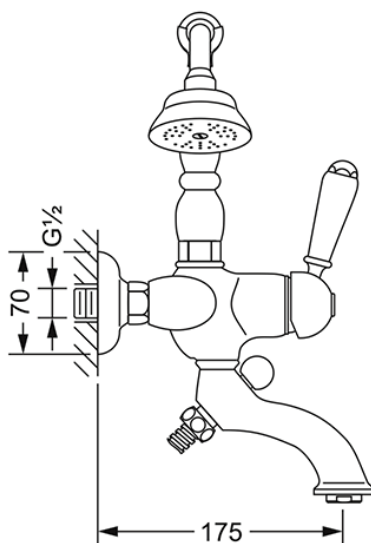
metal lever handle



craquelé lever handle



- wall mounting
- with lever handles, white
- spout projection 175 mm
- fixed spout
- aerator M24x1
- tub/shower diverter
- metal hand shower with anticalcareous system and backflow preventer
- flow rate hand shower 22 l/min at 3 bar
- metal shower hose 1500 mm, both sides with turning cone
- cartridge with ceramic discs 1/2"
- concealed S-connections 1/2" x 3/4"



Specification Sheet

DELPHI

109.20.140.xxx

Exposed tub/shower mixer, inclusive shower set 1/2"



cross handle



white lever handle



metal lever handle



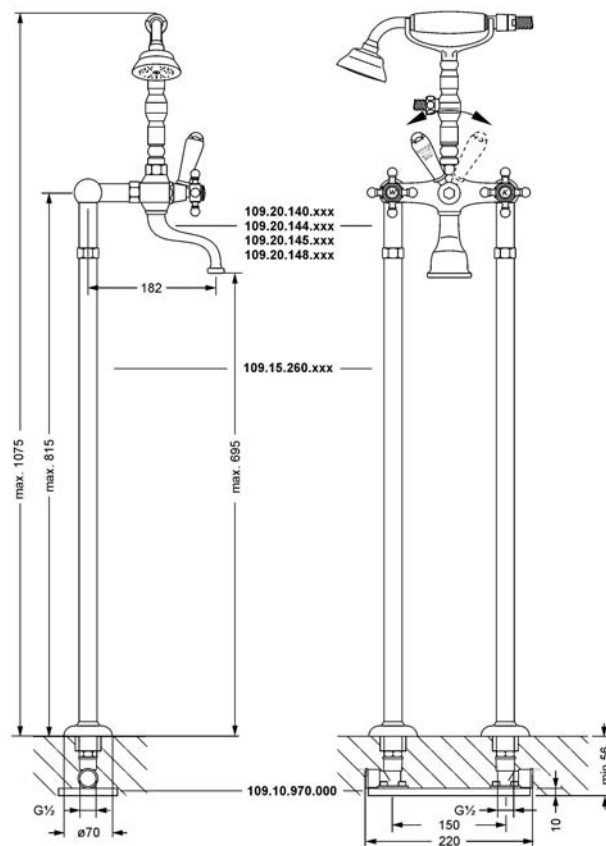
craquelé lever handle



- with cross handles
- spout projection with supply pipes 182 mm
- fixed spout
- without aerator
- flow rate of the spout 20 l/min at 3 bar
- diverter spout/hand shower
- metal hand shower with anticalcareous system and backflow preventer
- flow rate hand shower 22 l/min at 3 bar
- metal shower hose 1500 mm
- ceramic internal upper part 1/2"
- max. height 1075 mm
- aerator max. height 695 mm

Required: 600.15.260.xxx | 2x water supply pipes 1/2"

Recommended: 109.10.970.000 | Assembly set for pre-installation



Specification Sheet

DELPHI

109.20.145.xxx

Exposed tub/shower mixer, inclusive shower set 1/2"



cross handle



white lever handle



metal lever handle



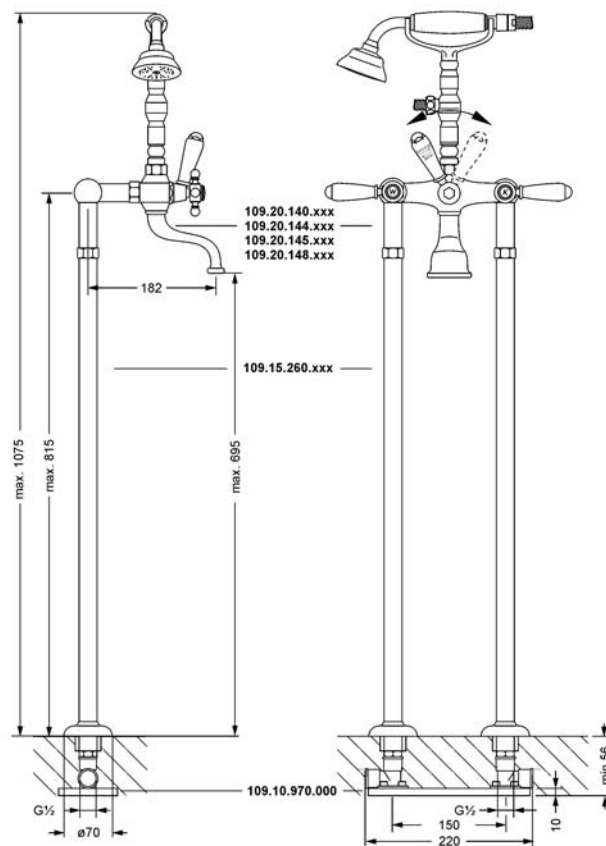
craquelé lever handle



- lever handles, white
- spout projection with supply pipes 182 mm
- fixed spout
- without aerator
- flow rate of the spout 20 l/min at 3 bar
- diverter spout/hand shower
- metal hand shower with anticalcareous system and backflow preventer
- flow rate hand shower 22 l/min at 3 bar
- metal shower hose 1500 mm
- ceramic internal upper part 1/2"
- max. height 1075 mm
- aerator max. height 695 mm

Required: 600.15.260.xxx | 2x water supply pipes 1/2"

Recommended: 109.10.970.000 | Assembly set for pre-installation

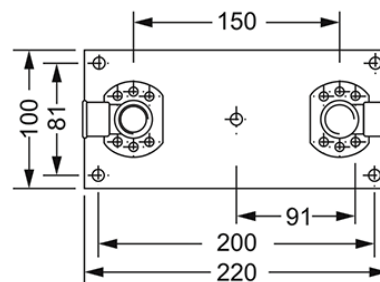
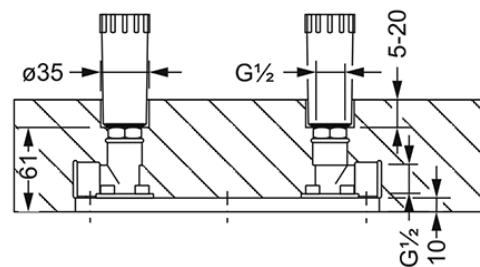
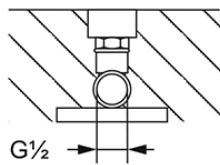


DELPHI

109.10.970.000

Assembly set for pre-installation

- joint plate with fixing set for water supply pipes
XXX.15.260.xxx



DELPHI

109.20.600.xxx

Single lever exposed shower mixer 1/2"



white lever handle



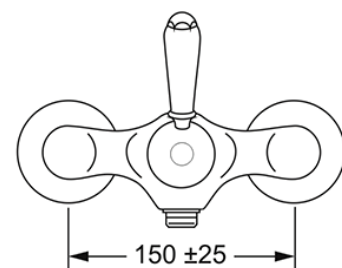
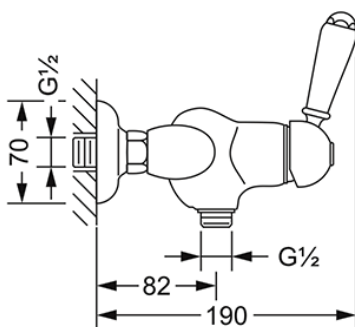
metal lever handle



craquelé lever handle



- wall mounting
- with lever handle, white
- cartridge with ceramic discs 1/2"
- discharge 1/2"
- concealed S-connections 1/2" x 3/4"



DELPHI

109.20.410.xxx

Exposed set with shower system 1/2"



cross handle



white lever handle



metal lever handle



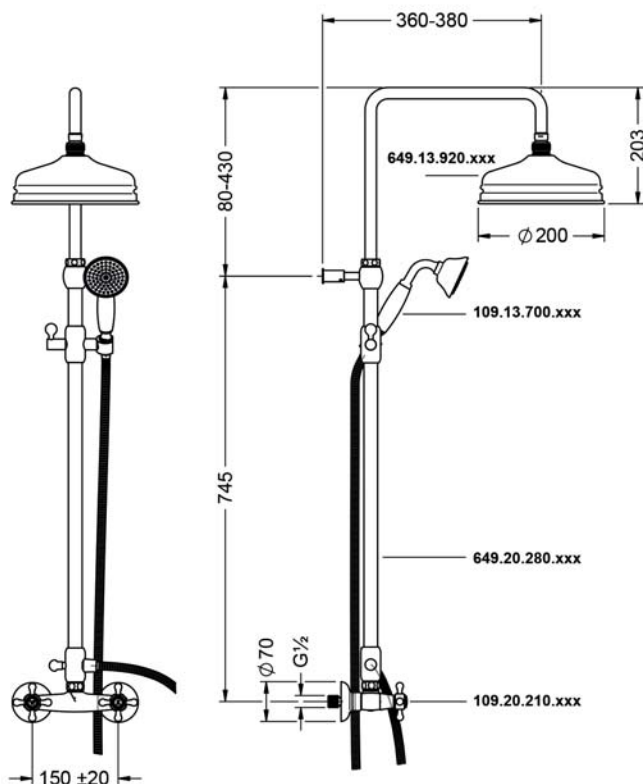
craquelé lever handle



- rain shower head 1/2", ø 200 mm
- flow rate rain shower head 19 l/min at 3 bar
- full metal body with ball joint and anticalcareous system
- supply pipe, diverter, wall bracket to connect the exposed shower mixer, spout projection 360-380 mm
- fitting for hand shower adjustable in height and inclination
- metal hand shower with anticalcareous system and backflow preventer
- flow rate hand shower 22 l/min at 3 bar
- metal shower hose 1500 mm, both sides with turning cone
- exposed shower mixer for supply pipe 1/2"
- with cross handles
- 2 ceramic internal upper part 1/2"
- discharge 3/4"
- concealed S-connections 1/2" x 3/4"

Consisting of:

- **649.13.920.xxx** | Rain shower head 1/2", ø 200 mm
- **649.20.280.xxx** | Supply pipe, diverter, wall bracket
- **109.13.700.xxx** | Shower combination
- **109.20.210.xxx** | Exposed shower mixer 1/2"



DELPHI

109.20.415.xxx

Exposed set with shower system 1/2"



cross handle



white lever handle



metal lever handle



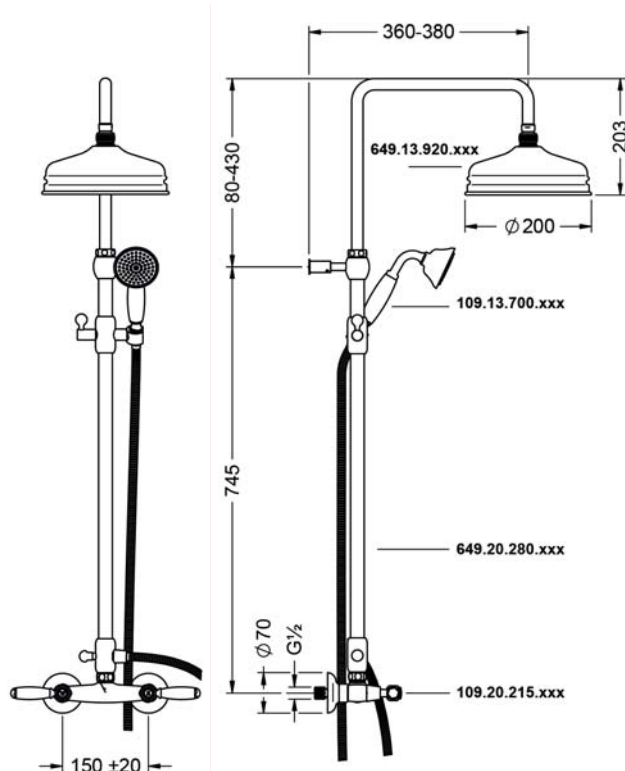
craquelé lever handle



- rain shower head 1/2", ø 200 mm
- flow rate rain shower head 19 l/min at 3 bar
- full metal body with ball joint and anticalcareous system
- supply pipe, diverter, wall bracket to connect the exposed shower mixer, spout projection 360-380 mm
- fitting for hand shower adjustable in height and inclination
- metal hand shower with anticalcareous system and backflow preventer
- flow rate hand shower 22 l/min at 3 bar
- metal shower hose 1500 mm, both sides with turning cone
- exposed shower mixer for supply pipe 1/2"
- with white lever handles
- 2 ceramic internal upper part 1/2"
- discharge 3/4"
- concealed S-connections 1/2" x 3/4"

Consisting of:

- **649.13.920.xxx** | Rain shower head 1/2", ø 200 mm
- **649.20.280.xxx** | Supply pipe, diverter, wall bracket
- **109.13.700.xxx** | Shower combination
- **109.20.215.xxx** | Exposed shower mixer 1/2"



DELPHI

109.20.200.xxx

Exposed shower mixer 1/2"



cross handle



white lever handle

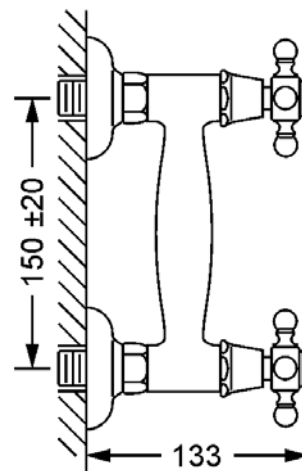
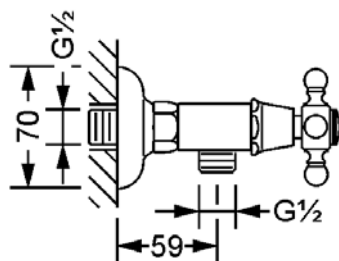


metal lever handle



craquelé lever handle

- wall mounting
- with cross handles
- 2 ceramic internal upper part 1/2"
- discharge 1/2"
- concealed S-connections 1/2" x 3/4"



DELPHI

109.20.205.xxx

Exposed shower mixer 1/2"



cross handle



white lever handle

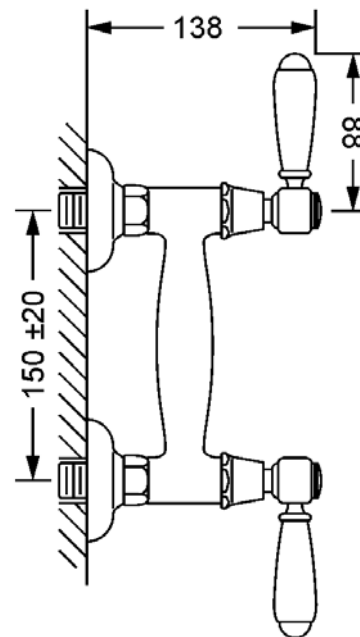
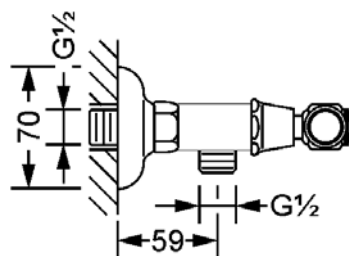


metal lever handle



craquelé lever handle

- wall mounting
- with white lever handles
- 2 ceramic internal upper part 1/2"
- discharge 1/2"
- concealed S-connections 1/2" x 3/4"



DELPHI

109.20.460.xxx

Exposed thermostat-set with shower system 1/2"



cross handle



white lever handle



metal lever handle



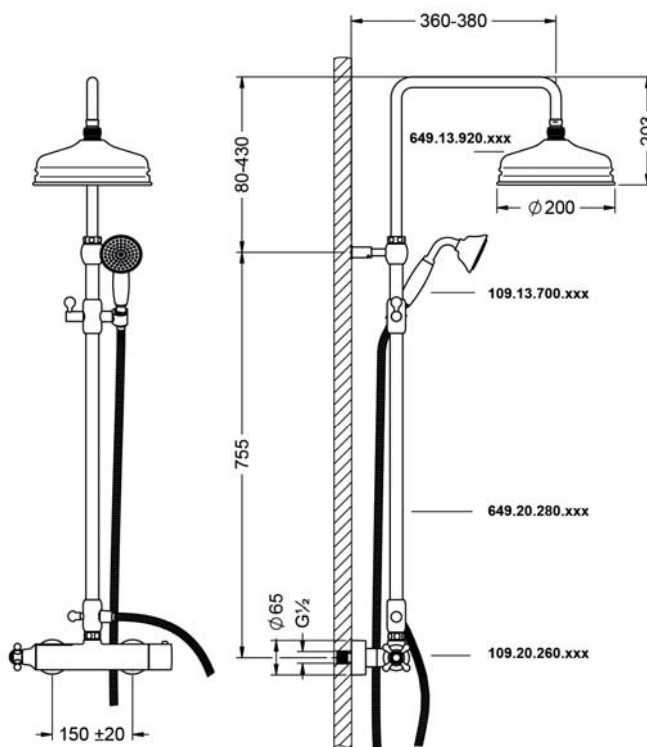
craquelé lever handle



- rain shower head 1/2", ø 200 mm
- flow rate rain shower head 19 l/min at 3 bar
- with ball joint and anticalcareous system
- supply pipe, diverter, wall bracket to connect the exposed shower mixer, projection 360 - 380 mm
- metal hand shower with anticalcareous system and backflow preventer
- flow rate hand shower 22 l/min at 3 bar
- metal shower hose 1500 mm, both sides with turning cone
- exposed shower thermostat for supply pipe 1/2"
- with cross handle
- cartridge with thermoelement
- locking device at 38 °C
- ceramic cartridge for flow control 1/2"
- discharge 3/4"
- concealed S-connections 1/2" x 3/4"

Consisting of:

- **649.13.920.xxx** | Rain shower head 1/2", ø 200 mm
- **649.20.280.xxx** | Supply pipe, diverter, wall bracket
- **109.13.700.xxx** | Shower combination, complete
- **109.20.260.xxx** | Exposed shower thermostat 1/2"



DELPHI

109.20.465.xxx

Exposed thermostat-set with shower system 1/2"



cross handle



white lever handle



metal lever handle



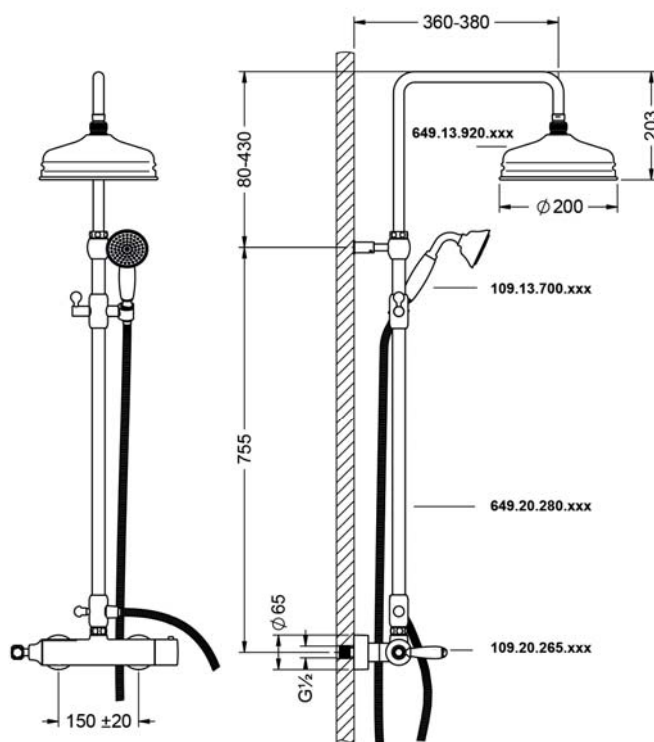
craquelé lever handle



- rain shower head 1/2", ø 200 mm
- flow rate rain shower head 19 l/min at 3 bar
- with ball joint and anticalcareous system
- supply pipe, diverter, wall bracket to connect the exposed shower mixer, projection 360 - 380 mm
- metal hand shower with anticalcareous system and backflow preventer
- flow rate hand shower 22 l/min at 3 bar
- metal shower hose 1500 mm, both sides with turning cone
- exposed shower thermostat for supply pipe 1/2"
- with white lever handle
- cartridge with thermoelement
- locking device at 38 °C
- ceramic cartridge for flow control 1/2"
- discharge 3/4"
- concealed S-connections 1/2" x 3/4"

Consisting of:

- **649.13.920.xxx** | Rain shower head 1/2", ø 200 mm
- **649.20.280.xxx** | Supply pipe, diverter, wall bracket
- **109.13.700.xxx** | Shower combination, complete
- **109.20.265.xxx** | Exposed shower thermostat 1/2"



DELPHI

109.20.255.xxx

Exposed shower thermostat 1/2"



cross handle



white lever handle



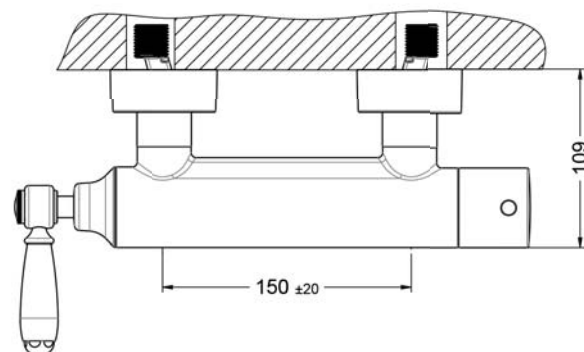
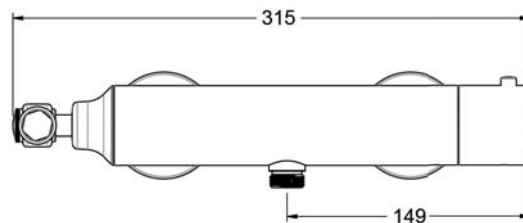
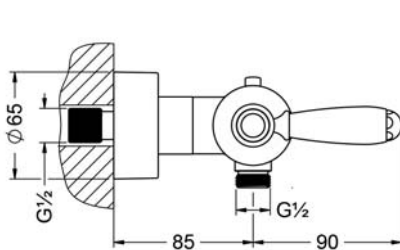
metal lever handle



craquelé lever handle



- wall mounting
- white lever handle
- cartridge with thermoelement
- ceramic cartridge 1/2"
- discharge 1/2"
- heat scale and locking device at 38 °C



DELPHI

109.20.250.xxx

Exposed shower thermostat 1/2"



cross handle



white lever handle



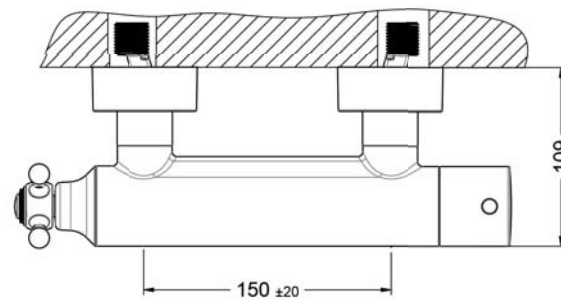
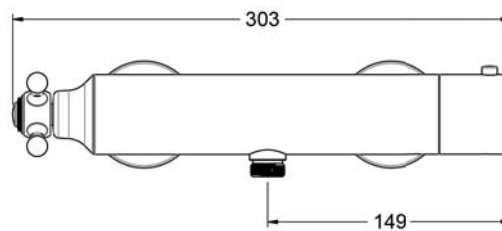
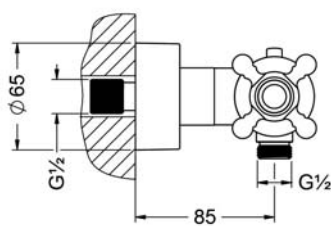
metal lever handle



craquelé lever handle



- wall mounting
- white cross handle
- cartridge with thermoelement
- ceramic cartridge 1/2"
- discharge 1/2"
- heat scale and locking device at 38 °C



Specification Sheet

DELPHI

109.20.125.xxx

Concealed single lever wall tub and shower mixer, assembly set 1/2"



white lever handle



metal lever handle



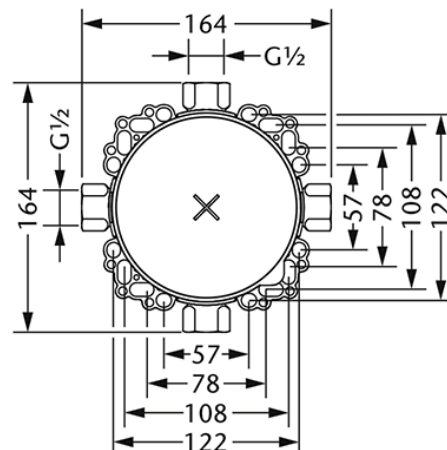
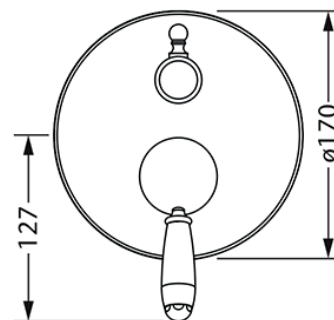
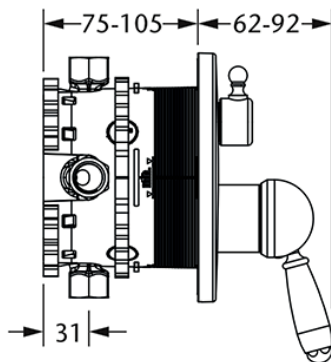
craquelé lever handle



- manual two way diverter with ceramic cartridge for pressure-independent function
- with safety device
- functional unit with diverter
- flow rate 21 l/min at 3 bar

Required:

- **649.40.360.000** | Concealed wall box 1/2"



Specification Sheet

DELPHI

109.20.135.xxx

Concealed single lever wall tub and shower mixer, assembly set 1/2"



white lever handle



metal lever handle



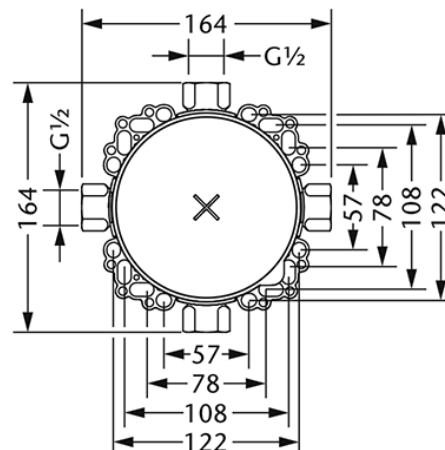
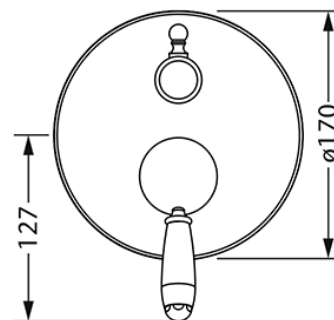
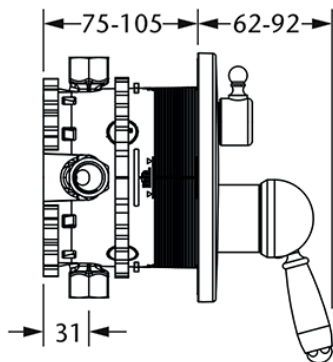
craquelé lever handle



- manual two way diverter with ceramic cartridge for pressure-independent function
- without safety device
- functional unit with diverter
- flow rate 21 l/min at 3 bar

Required:

- **649.40.360.000** | Concealed wall box 1/2"



Specification Sheet

DELPHI

109.20.235.xxx

Concealed single lever shower mixer, assembly set 1/2"



white lever handle



metal lever handle



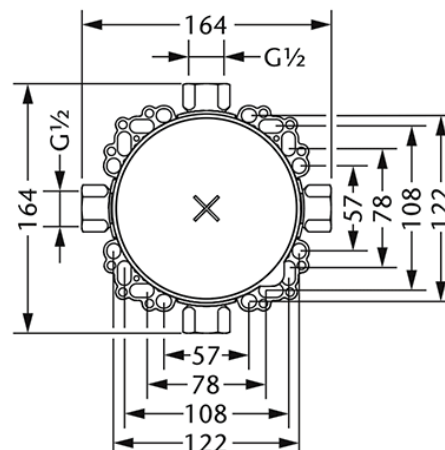
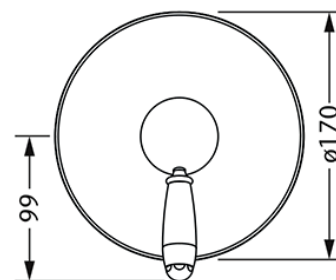
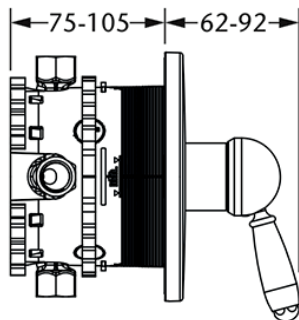
craquelé lever handle



- functional unit with ceramic discs
- without diverter
- flow rate 20,4 l/min at 3 bar

Required:

- **649.40.360.000** | Concealed wall box 1/2"



DELPHI

109.40.360.xxx

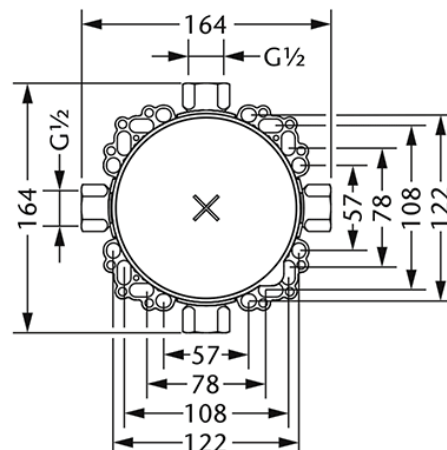
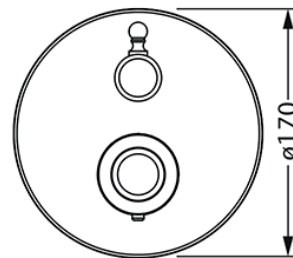
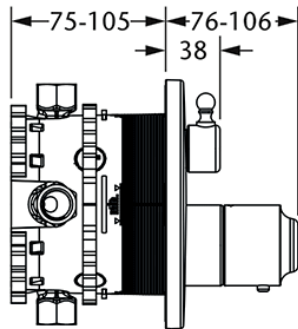
Concealed wall thermostat with flow control, assembly set 1/2"



- without diverter
- with integrated ceramic cartridge for volume control
- flow rate 20,4 l/min at 3 bar

Required:

- **649.40.360.000** | Concealed wall box 1/2"



DELPHI

109.40.380.xxx

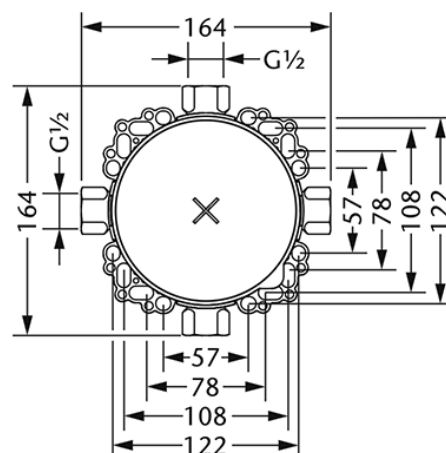
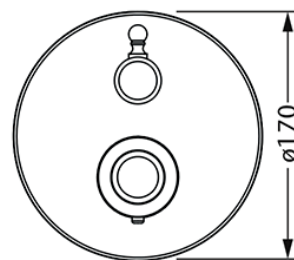
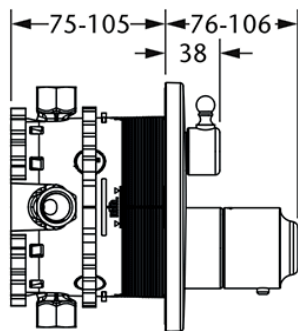
Concealed wall thermostat with flow control, assembly set 1/2"



- manual two way diverter with ceramic cartridge for pressure-independent function
- with integrated volume control
- with safety device
- flow rate 20,4 l/min at 3 bar

Required:

- **649.40.360.000** | Concealed wall box 1/2"



DELPHI

109.40.460.xxx

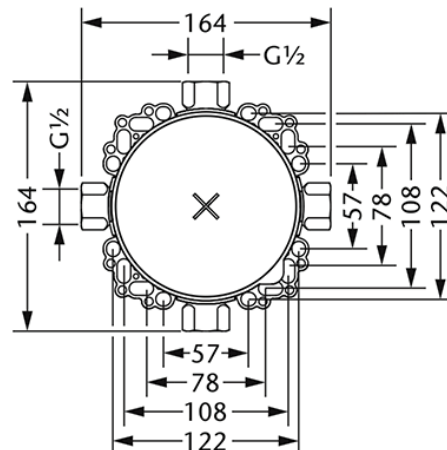
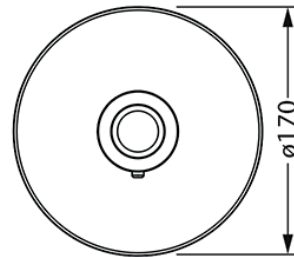
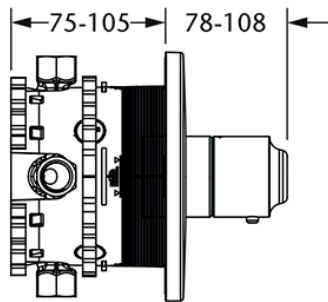
Concealed wall thermostat without flow control, assembly set 1/2"



- functional unit without diverter
- without shut-off
- without flow control
- flow rate 28,5 l/min at 3 bar

Required:

- **649.40.360.000** | Concealed wall box 1/2"



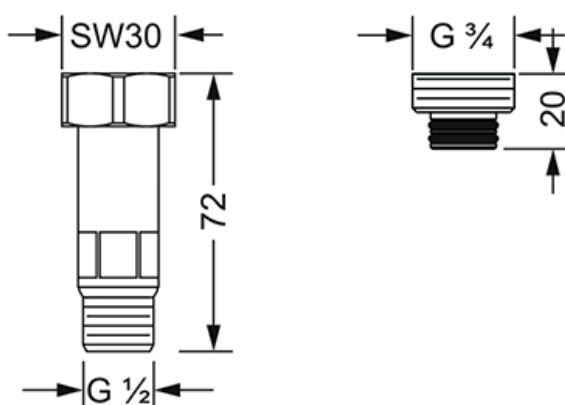
DELPHI

649.20.612.000

Connection adapter 1/2"



- connection adapter, end plug
- for connection 649.20.610.000, 649.20.620.000, 649.20.630.000
matching for wall box 649.40.360.000



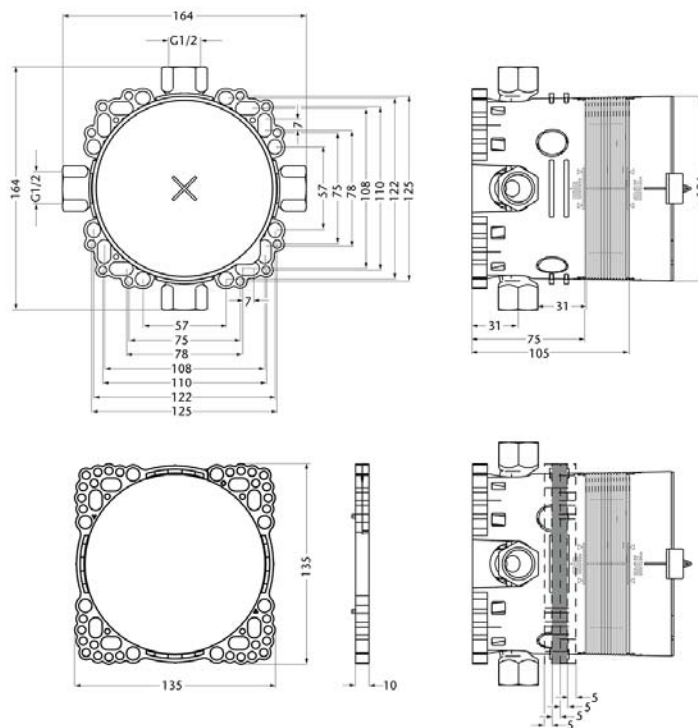
DELPHI

649.40.360.000

Concealed wall box 1/2"

- for installing concealed wall thermostats 1/2"
- for wetwall and drywall construction

To order a complete unit, please order the concealed wall box with an assembly set.



DELPHI

109.40.560.xxx

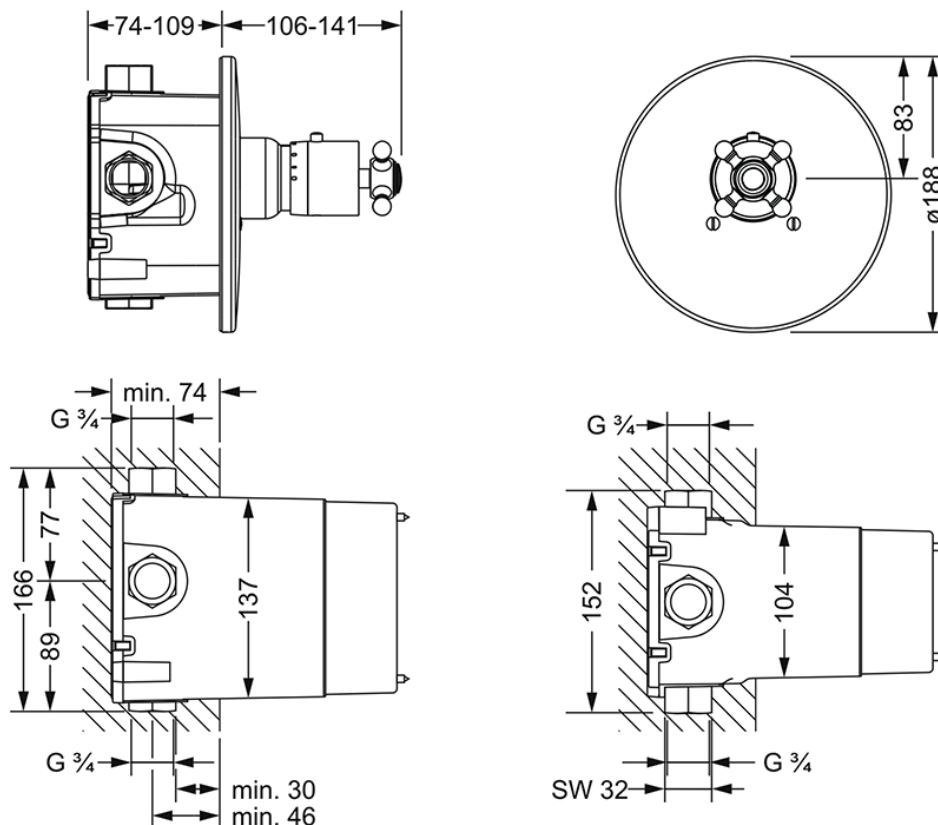
Concealed wall thermostat without flow control, assembly set 3/4"



- without flow control
- without diverter
- design handle for temperatur control
- locking device at 38 °C
- flow rate 64,2 l/min at 3 bar

Required:

- **649.40.555.000** | Concealed thermostat body 3/4"



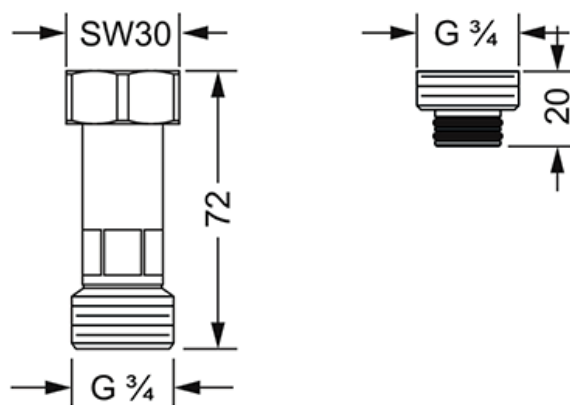
DELPHI

649.20.634.000

Connection adapter 3/4"



- connection adapter, end plug
- for connection 649.20.610.000, 649.20.620.000, 649.20.630.000 with thermostat body 649.40.555.000

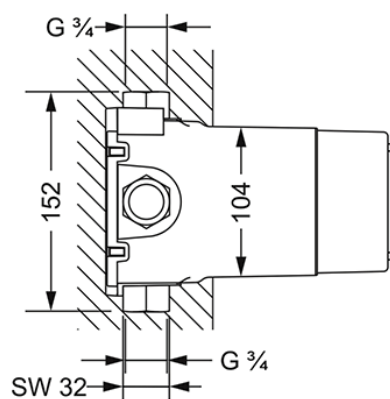
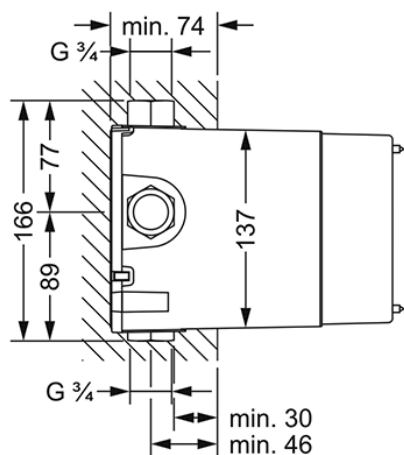


DELPHI

649.40.555.000

Concealed thermostat body $\frac{3}{4}$ "

- for assembly set XXX.40.555.xxx
- cartridge with filter screens
- for wetwall and drywall construction
- without shut-off
- flow rate 64,2 l/min at 3 bar



DELPHI

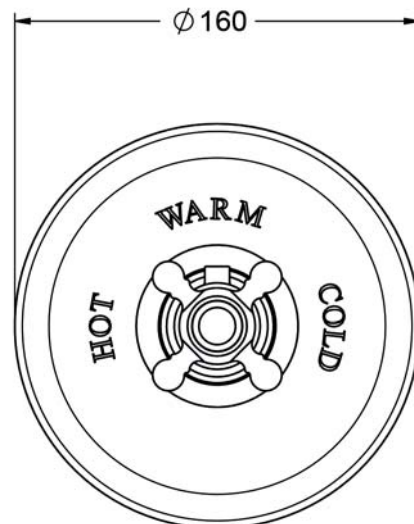
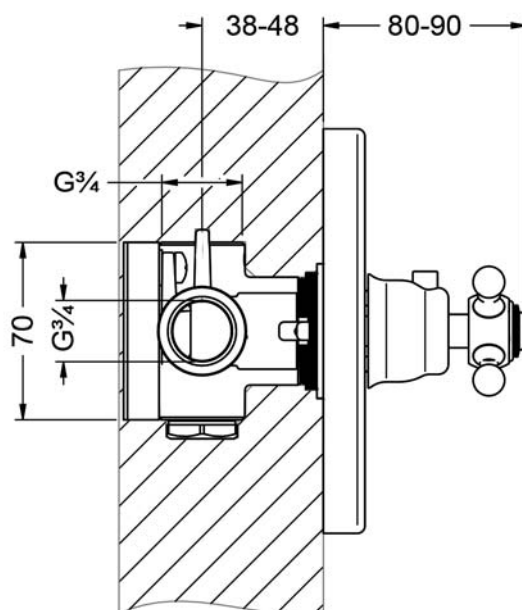
109.40.520.xxx

Concealed wall thermostat without flow control, assembly set $\frac{3}{4}$ "

- without diverter
- design handle for temperature control
- locking device at 38 °C
- flow rate 41 l/min at 3 bar

Required:

- **649.40.520.000** | Concealed thermostat body $\frac{3}{4}$ "



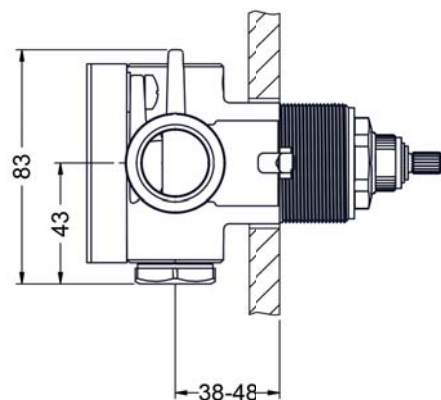
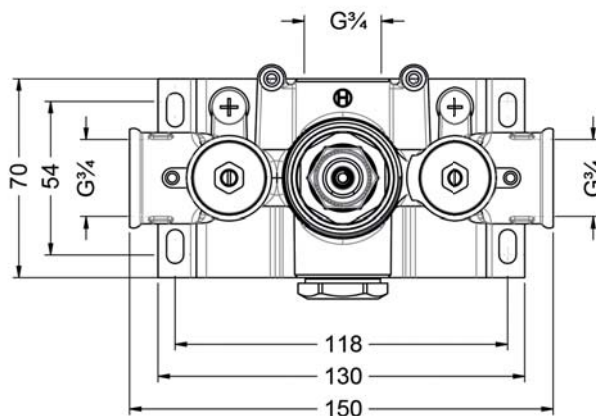
DELPHI

649.40.520.000

Concealed thermostat body $\frac{3}{4}$ "



- for assembly set XXX.40.520.xxx
- flow rate 41 l/min at 3 bar
- cartridge with filter screens
- for wetwall and drywall construction
- without shut-off
- fast thermal element shut-down in case of cold water loss, fast response time to reduce hot and cold spikes
- complete with mud guard for installation



DELPHI

109.50.234.xxx

Concealed wall valve, assembly set



cross handle



white lever handle



metal lever handle



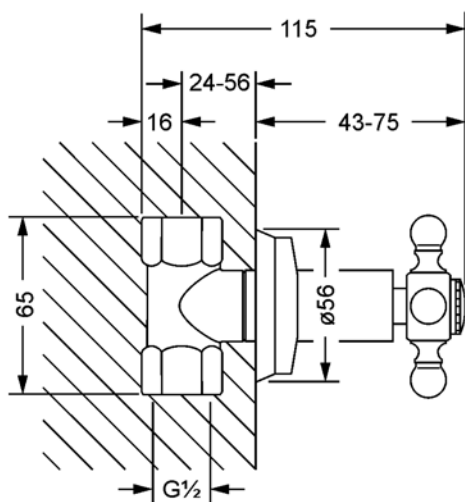
craquelé lever handle



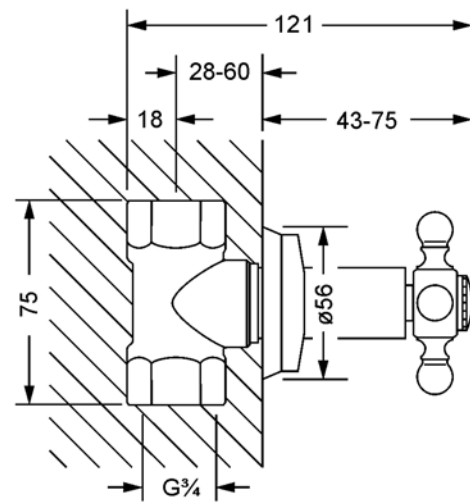
- cross handle
- design handle
- socket with adjustable escutcheon
- flow rate for 1/2" 17 l/min at 3 bar
- flow rate for 3/4" 21 l/min at 3 bar

Required:

- **649.20.350.000** | Concealed wall valve 1/2", body, clockwise closure
- **649.20.355.000** | Concealed wall valve 1/2", body, counter-clockwise closure
- **649.20.450.000** | Concealed wall valve 3/4", body, clockwise closure
- **649.20.455.000** | Concealed wall valve 3/4", body, counter-clockwise closure



mit Einbaukörper / with concealed body 1/2"



mit Einbaukörper / with concealed body 3/4"

DELPHI

109.50.235.xxx

Concealed wall valve, assembly set



cross handle



white lever handle



metal lever handle



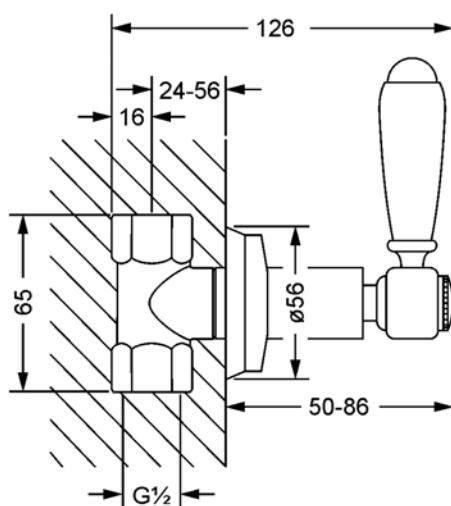
craquelé lever handle



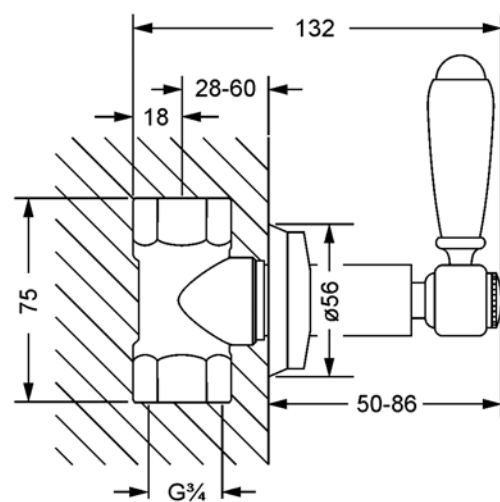
- white lever handle
- design handle
- socket with adjustable escutcheon
- flow rate for 1/2" 17 l/min at 3 bar
- flow rate for 3/4" 21 l/min at 3 bar

Required:

- **649.20.350.000** | Concealed wall valve 1/2", body, clockwise closure
- **649.20.355.000** | Concealed wall valve 1/2", body, counter-clockwise closure
- **649.20.450.000** | Concealed wall valve 3/4", body, clockwise closure
- **649.20.455.000** | Concealed wall valve 3/4", body, counter-clockwise closure



mit Einbaukörper / with concealed body 1/2"



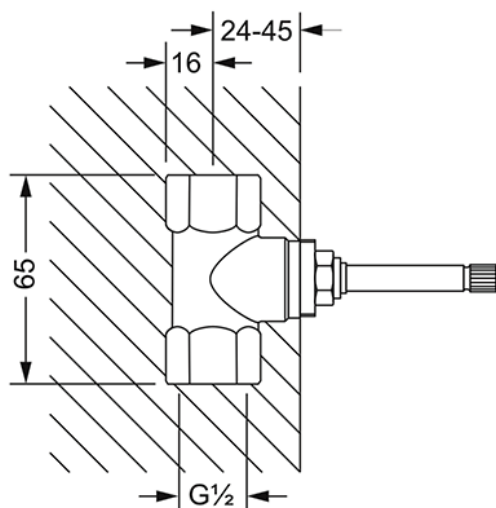
mit Einbaukörper / with concealed body 3/4"

DELPHI

649.20.350.000

Concealed wall valve 1/2", body

- clockwise closure
- ceramic discs 1/2"
- flow rate 17 l/min at 3 bar



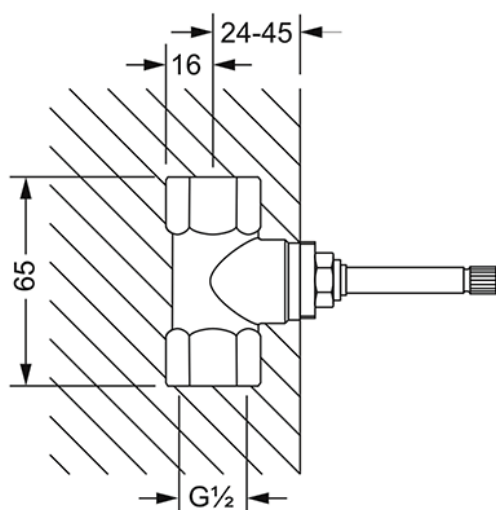
Einbaukörper 1/2"

DELPHI

649.20.355.000

Concealed wall valve 1/2", body

- counter-clockwise closure
- ceramic discs 1/2"
- flow rate 17 l/min at 3 bar



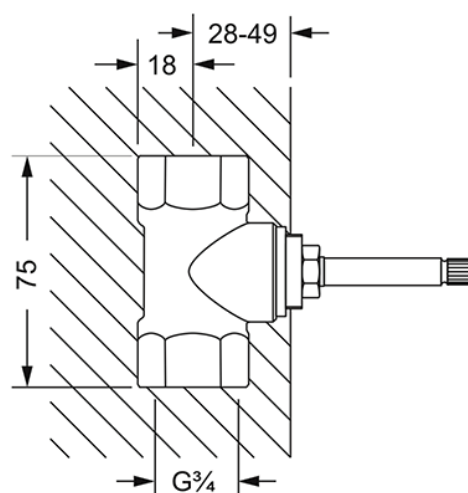
Einbaukörper 1/2"

DELPHI

649.20.450.000

Concealed wall valve $\frac{3}{4}$ ", body

- clockwise closure
- ceramic discs $\frac{3}{4}$ "
- flow rate 21 l/min at 3 bar



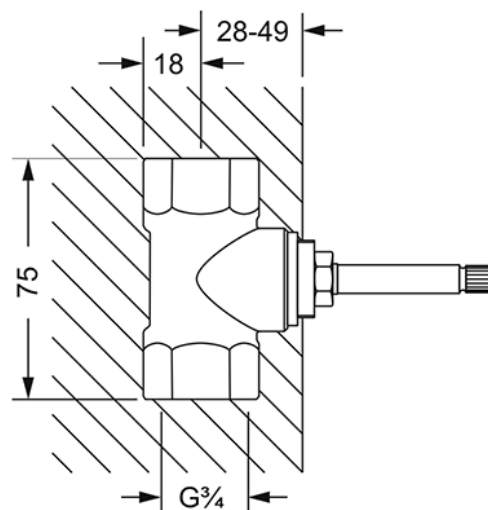
Einbaukörper $\frac{3}{4}$ "

DELPHI

649.20.455.000

Concealed wall valve $\frac{3}{4}$ ", body

- counter-clockwise closure
- ceramic discs $\frac{3}{4}$ "
- flow rate 21 l/min at 3 bar



Einbaukörper $\frac{3}{4}$ "

DELPHI

109.60.432.xxx

Concealed wall-valve-modul assembly set



cross handle



white lever handle



metal lever handle



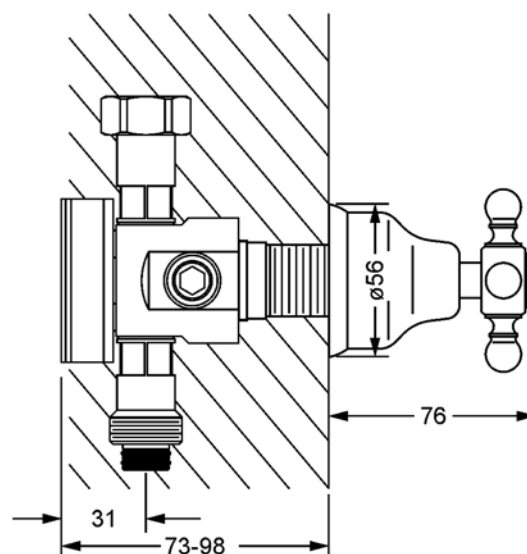
craquelé lever handle



- cross handle
- escutcheon
- spindle valve $\frac{3}{4}$ ", clockwise closure with ceramic discs
- flow rate look at installation body

Required:

- **649.20.610.000** | Concealed wall-valve-modul, single
- **649.20.620.000** | Concealed wall-valve-modul, double
- **649.20.630.000** | Concealed wall-valve-modul, triple



DELPHI

109.60.435.xxx

Concealed wall-valve-modul assembly set



cross handle



white lever handle



metal lever handle



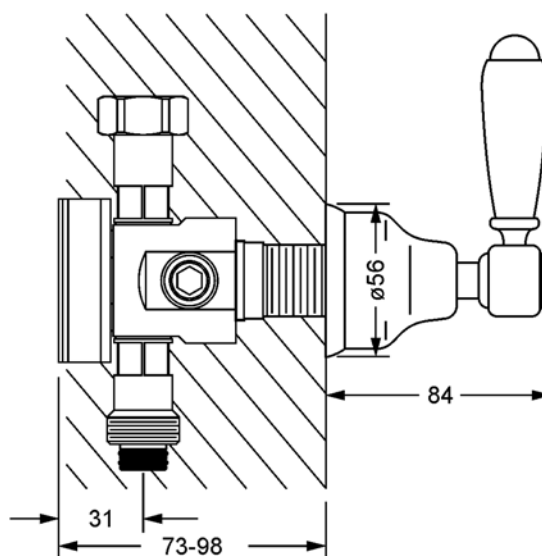
craquelé lever handle



- white lever handle
- escutcheon
- spindle valve $\frac{3}{4}$ ", clockwise closure with ceramic discs
- flow rate look at installation body

Required:

- **649.20.610.000** | Concealed wall-valve-modul, single
- **649.20.620.000** | Concealed wall-valve-modul, double
- **649.20.630.000** | Concealed wall-valve-modul, triple



DELPHI

649.20.610.000

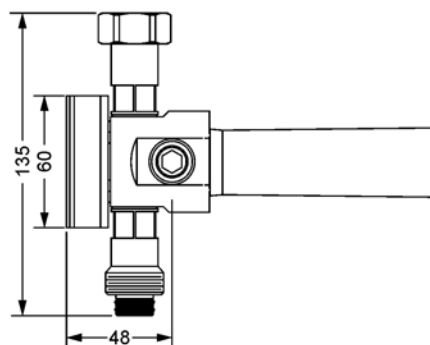
Concealed wall-valve-modul, single



- 2 outlets 1/2", each 1x right/left possible, simultaneously usable
- the module can be used as a water outlet in the installation and can be extended by the desired number of valves
- the module is supplied with brackets for wall mounting
- flow rate with 1/2" thermostat \varnothing 27,6 l/min at 3 bar
- flow rate with 3/4" thermostat \varnothing 39,2 l/min at 3 bar

For the connection to the concealed part of the thermostat is required:

- 649.20.612.000 | adapter 1/2" or
- 649.20.634.000 | adapter 3/4"



DELPHI

649.20.620.000

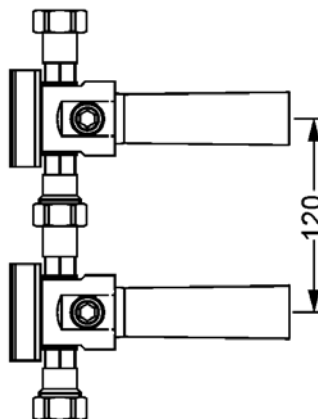
Concealed wall-valve-modul, double



- 4 outlets 1/2", each 2x right/left possible, simultaneously usable
- precise assembly due to composite
- the module can be used as a water outlet in the installation and can be extended by the desired number of valves
- the module is supplied with brackets for wall mounting
- flow rate with 1/2" thermostat \varnothing 32,6 l/min at 3 bar
- flow rate with 3/4" thermostat \varnothing 52,7 l/min at 3 bar

For the connection to the concealed part of the thermostat is required:

- 649.20.612.000 | adapter 1/2" or
- 649.20.634.000 | adapter 3/4"



DELPHI

649.20.630.000

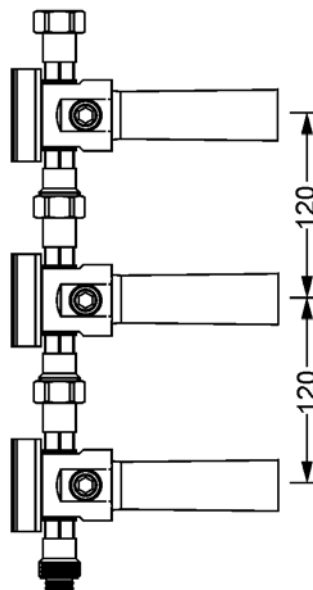
Concealed wall-valve-modul, triple



- 6 outlets 1/2", each 3x right/left possible, simultaneously usable
- precise assembly due to composite
- the module can be used as a water outlet in the installation and can be extended by the desired number of valves
- the module is supplied with brackets for wall mounting
- flow rate with 1/2" thermostat \varnothing 33 l/min at 3 bar
- flow rate with 3/4" thermostat \varnothing 55,5 l/min at 3 bar

For the connection to the concealed part of the thermostat is required:

- 649.20.612.000 | adapter 1/2" or
- 649.20.634.000 | adapter 3/4"



DELPHI

109.40.650.xxx

Concealed 3-position diverter, assembly set 1/2"



cross handle



white lever handle



metal lever handle



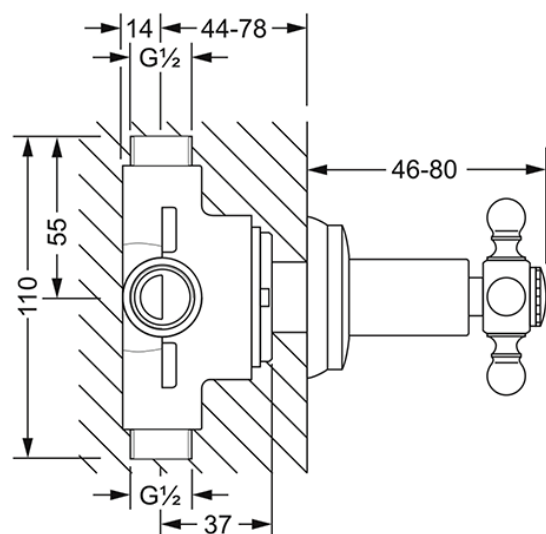
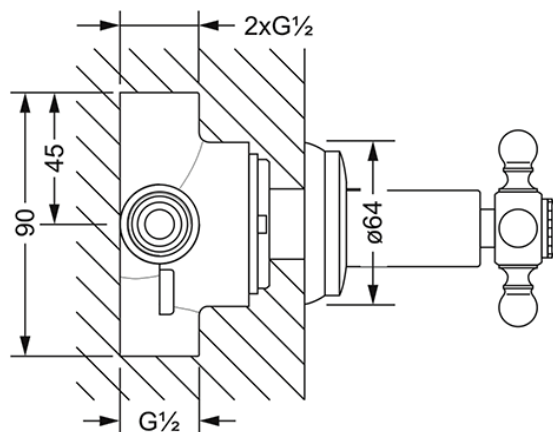
craquelé lever handle



- cross lever handle
- socket with adjustable escutcheon
- flow rate 52 l/min at 3 bar

Required:

- **649.40.600.000** | Concealed 3-position diverter 1/2", diverter body



Specification Sheet

DELPHI

109.40.655.xxx

Concealed 3-position diverter, assembly set 1/2"



cross handle



white lever handle



metal lever handle



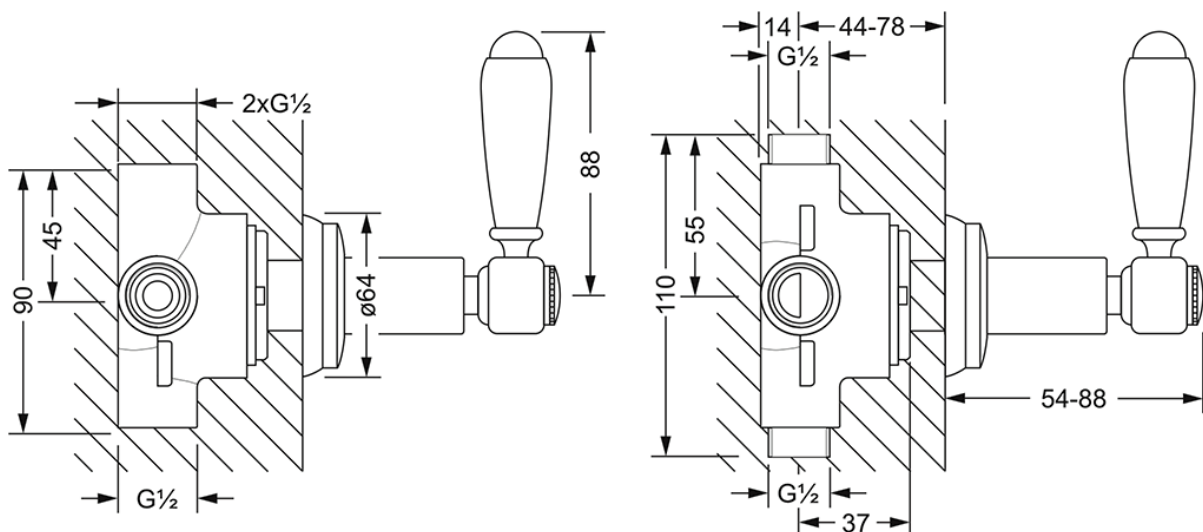
craquelé lever handle



- white lever handle
- socket with adjustable escutcheon
- flow rate 52 l/min at 3 bar

Required:

- **649.40.600.000** | Concealed 3-position diverter 1/2", diverter body

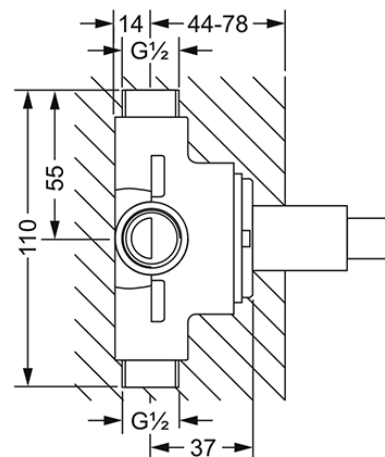
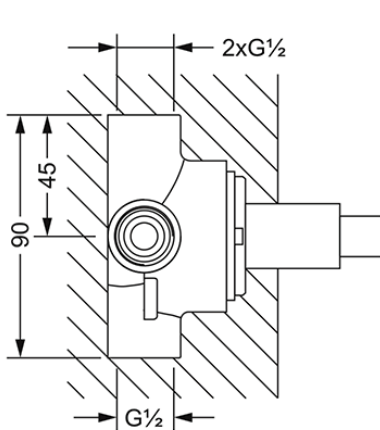


DELPHI

649.40.600.000

Concealed 3-position diverter 1/2" diverter body

- for assembly set XXX.40.650.xxx
- flow rate 52 l/min at 3 bar



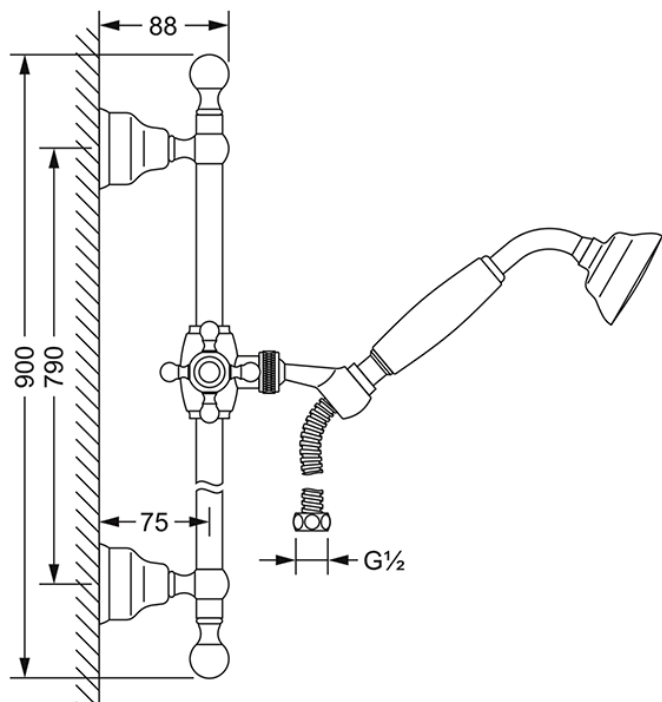
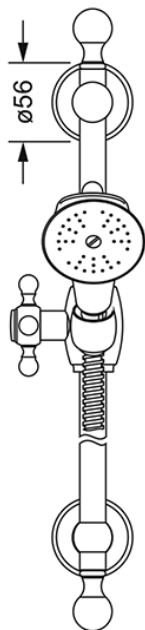
DELPHI

109.13.300.xxx

Shower bar set, complete



- wall mounting
- wall bar 900 mm, with slider
- metal hand shower with anticalcareous system and backflow preventer
- flow rate hand shower 22 l/min at 3 bar
- metal shower hose 1750 mm, both sides with turning cone



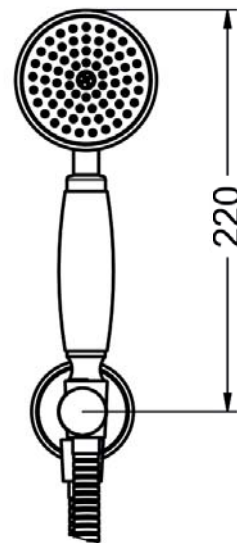
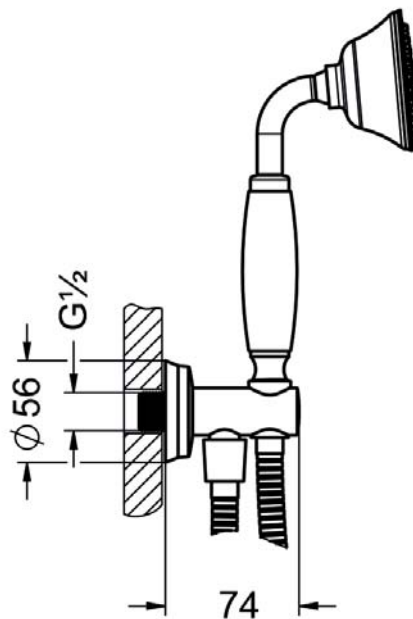
DELPHI

109.13.210.xxx

Shower combination 1/2"



- wall fitting and elbow connection 1/2"
- metal hand shower with anticalcareous system and backflow preventer
- flow rate hand shower 22 l/min at 3 bar
- metal shower hose 1500 mm, both sides with turning cone

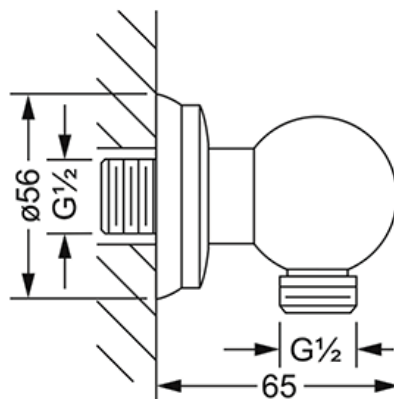


DELPHI

109.13.150.xxx

Wall elbow connection without cradle 1/2"

- wall mounting
- discharge 1/2"
- with backflow preventer
- escutcheon

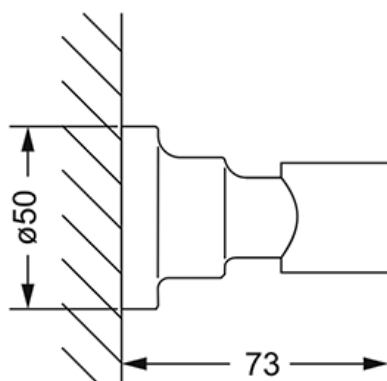


DELPHI

649.13.210.xxx

Wall fitting for hand shower

- wall mounting
- escutcheon \varnothing 50 mm
- suitable for all hand showers



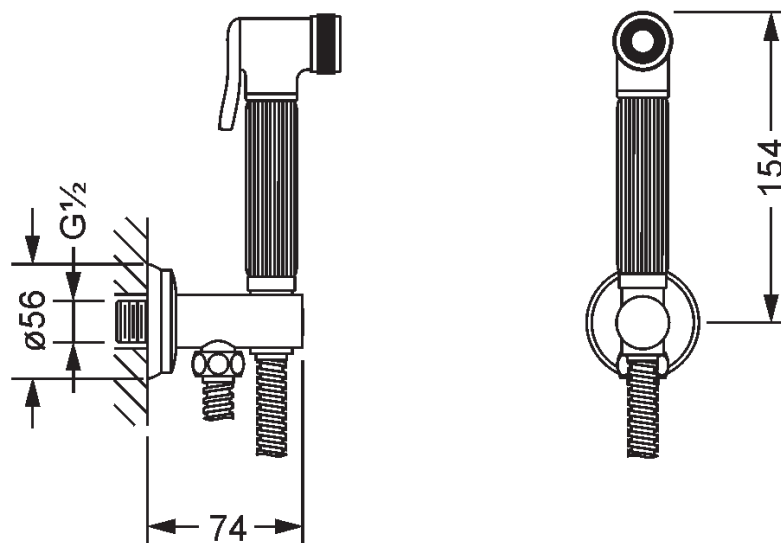
DELPHI

109.13.237.xxx

Ablution spray combination 1/2"



- wall fitting and elbow connection 1/2"
- spray hand shower 649.13.338.xxx, completely metal
- one jet, push-lever operation
- flexible metal shower hose 1250 mm
- flow rate with water limitation 6,9 l/min



DELPHI

109.20.237.xxx

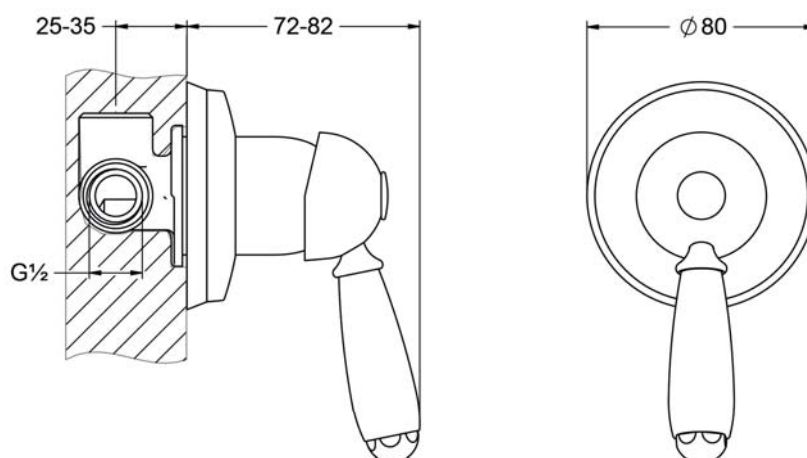
Concealed single lever for ablution spray, assembly set 1/2"



- design handle
- escutcheon
- flow rate 26 l/min at 3 bar

Required:

- **649.20.237.000** | Single lever mixer 1/2", concealed body

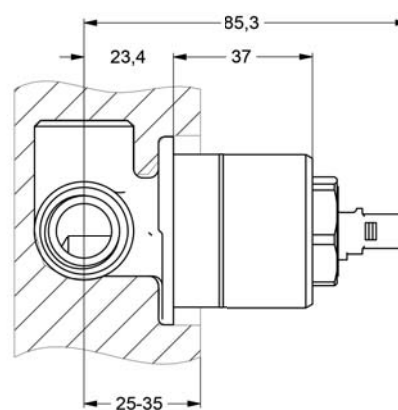
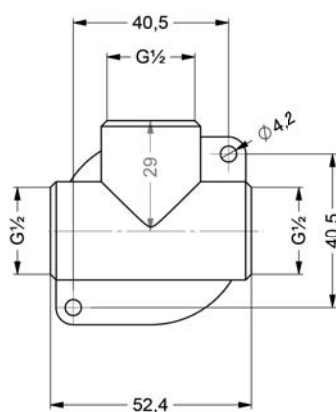


DELPHI

649.20.237.000

Single lever mixer 1/2", concealed body

- cartridge with ceramic discs 1/2"
- for assembly set XXX.20.237.xxx
- flow rate 26 l/min at 3 bar



DELPHI

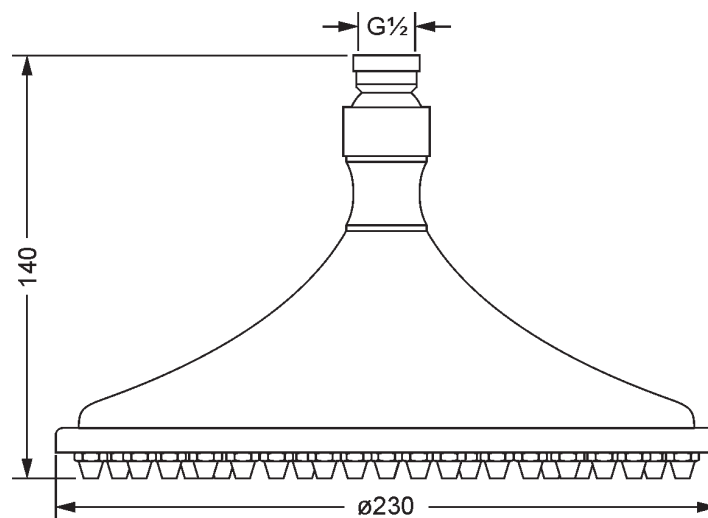
649.13.615.xxx

Body spray shower head 1/2"



- ø 230 mm
- 75 jets
- full metal
- anticalcareous system
- swivel shower head
- with ball joint
- without wall bracket
- flow rate 18 l/min at 3 bar

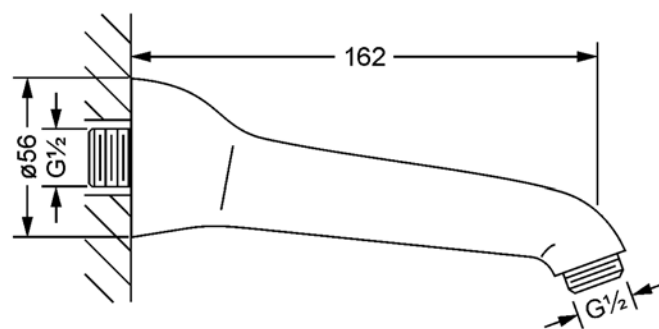
- **Please order wall or ceiling bracket with the rain shower head separately.**



DELPHI

649.13.625.xxx
Wall bracket 1/2"

- wall mounting
- spout projection 162 mm



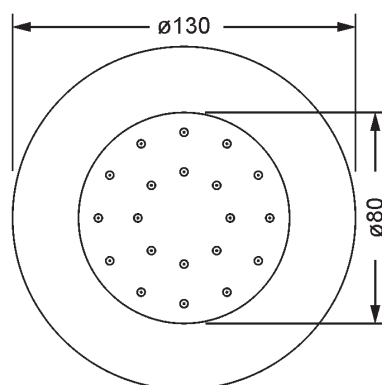
DELPHI

649.13.519.xxx

Body spray side shower 1/2"



- wall mounting
- escutcheon \varnothing 130 mm
- material: plastic
- swivel shower head, 20°
- anticalcareous system
- flow rate 3,6 l/min at 3 bar

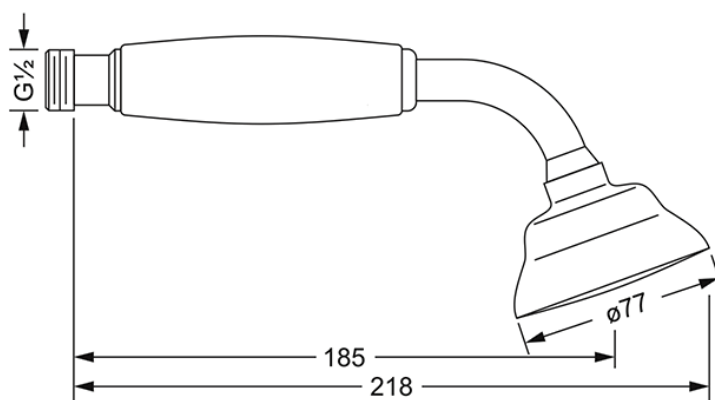


DELPHI

649.13.335.xxx

Hand shower 1/2"

- material metal
- anticalcareous system
- connection 1/2"
- 1-spray hand shower
- flow rate 22 l/min at 3 bar

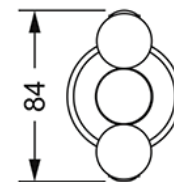
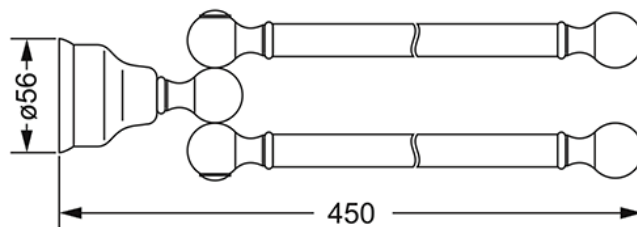


DELPHI

109.00.002.xxx

Double towel bar

- wall model
- swivelling bars
- double
- approx. 450 mm

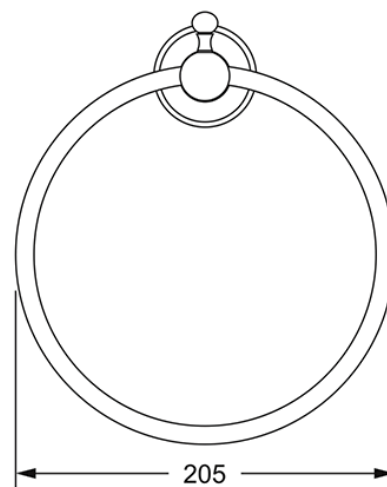
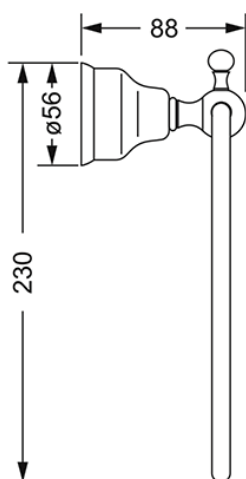


DELPHI

109.00.047.xxx

Towel ring

- wall model
- \varnothing approx. 205 mm
- closed version

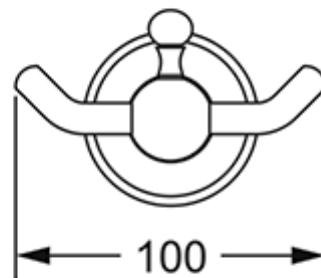
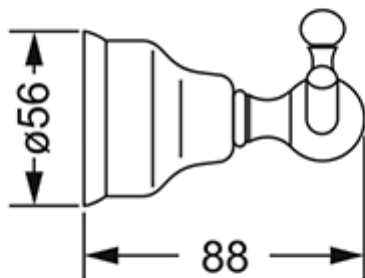


DELPHI

109.00.022.xxx

Robe hanger

- wall model
- double

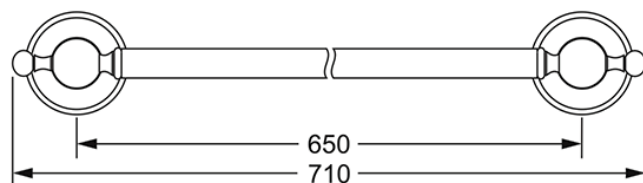
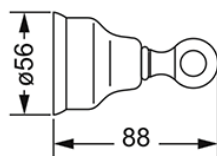


DELPHI

109.00.040.xxx

Bath towel bar

- wall model
- approx. 650 mm

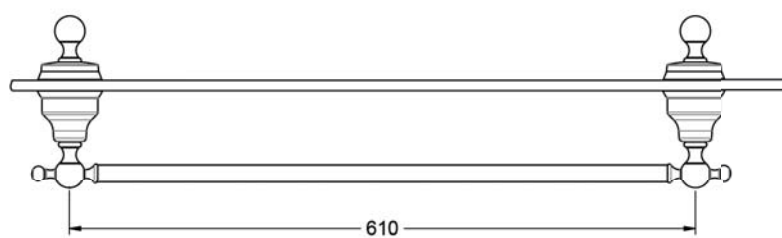
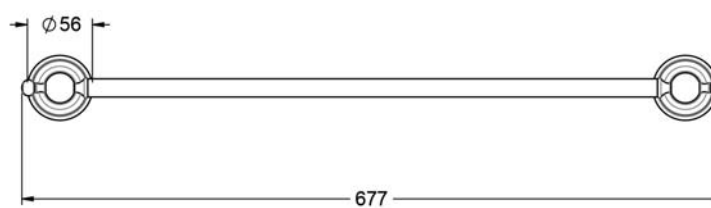
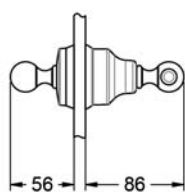


DELPHI

109.00.030.xxx

Shower door handle

- wall model
- 610 mm

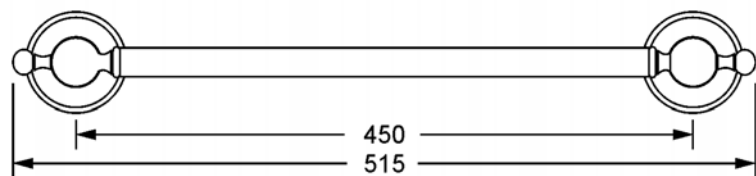
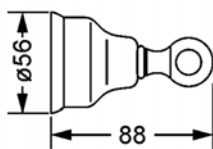


DELPHI

109.00.031.xxx

Tub handle

- wall model
- approx. 450 mm

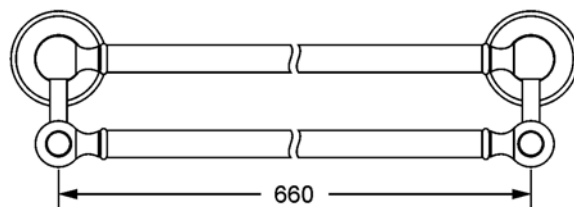
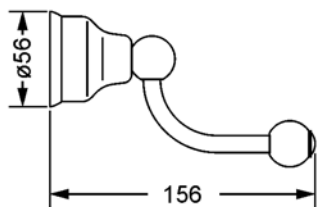


DELPHI

109.00.041.xxx

Bath towel bar, double

- wall model
- approx. 660 mm



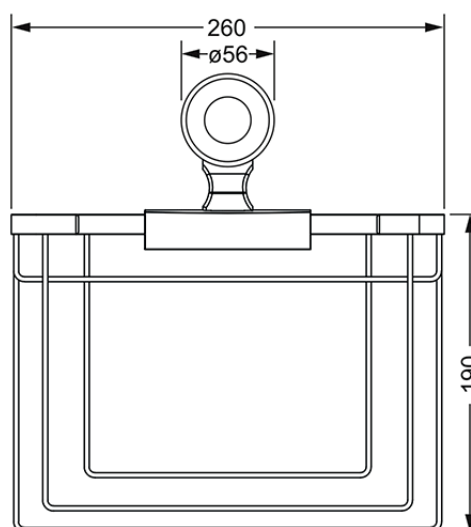
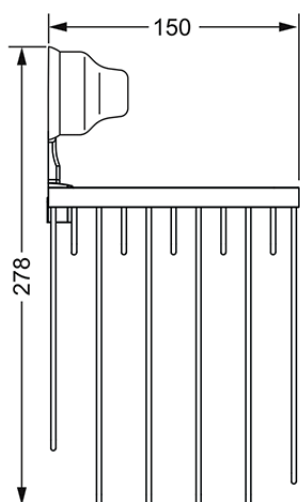
DELPHI

109.00.104.xxx

Guest towel basket, angular



- wall model
- upper basket for clean towels
- bottom basket for used towels
- basket size 260 x 150 x 190 mm

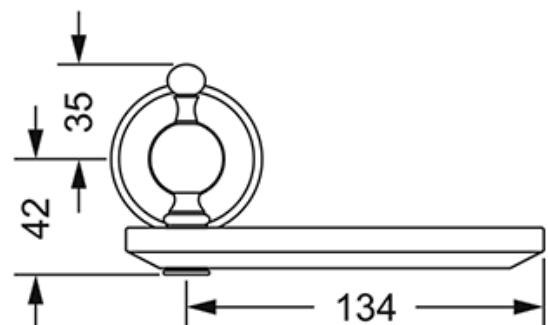
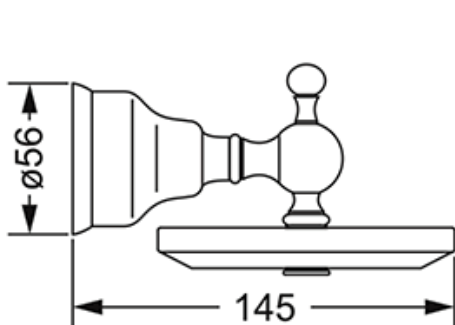


DELPHI

109.00.007.xxx

Soap dish holder, complete

- wall model
- crystal glass dish, clear

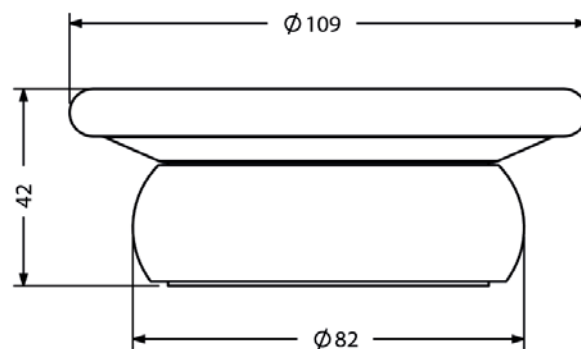


DELPHI

109.00.017.xxx

Soap dish holder, complete

- free standing model
- crystal glass dish, frosted

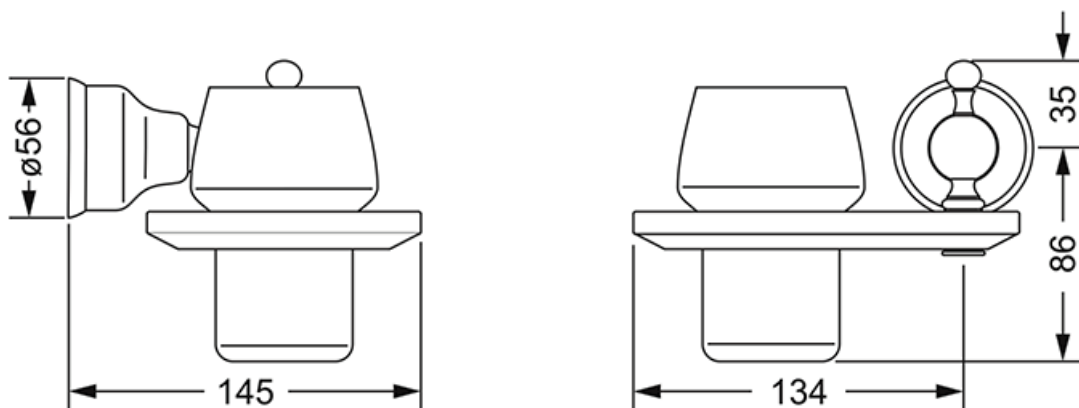


DELPHI

109.00.036.xxx

Tumbler holder, complete

- wall model
- crystal glass tumbler

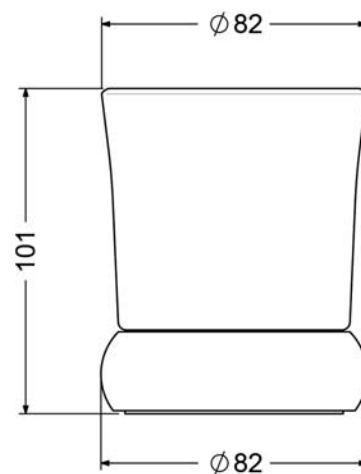


DELPHI

109.00.046.xxx

Tumbler holder, complete

- free standing model
- crystal glass tumbler, frosted

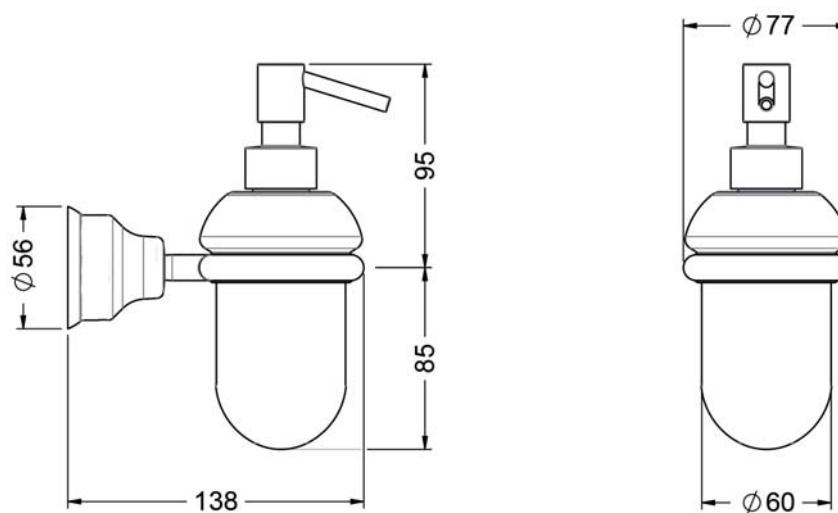


DELPHI

109.00.006.xxx

Soap dispenser, complete

- wall model
- crystal glass, frosted

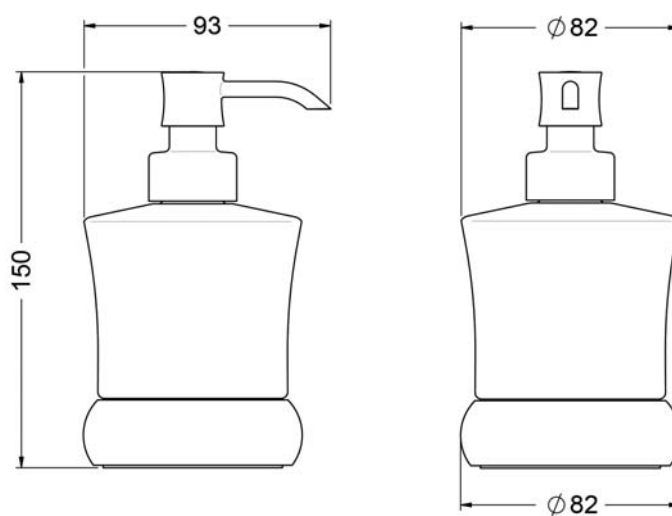


DELPHI

109.00.016.xxx

Soap dispenser, complete

- free standing model
- crystal glass, frosted

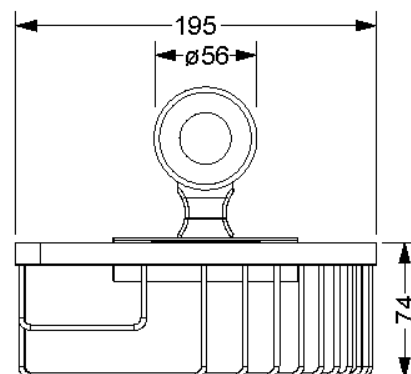
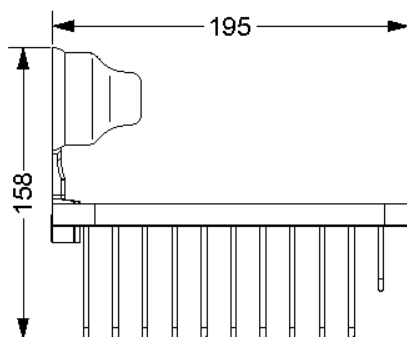


DELPHI

109.00.106.xxx

Corner sponge basket

- wall model
- triangular
- 195 x 195 mm

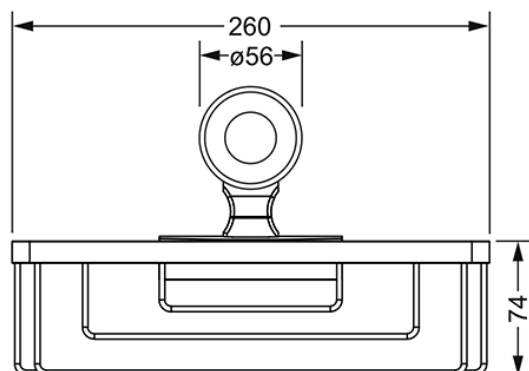
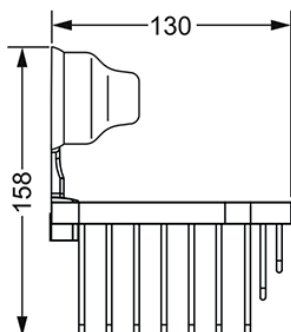


DELPHI

109.00.105.xxx

Sponge basket

- wall model
- rectangular
- 260 x 130 mm

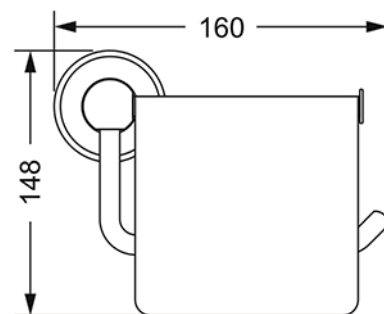
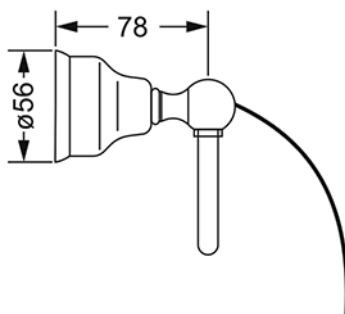


DELPHI

109.00.014.xxx

Toilet paper roll holder

- wall model
- with lid

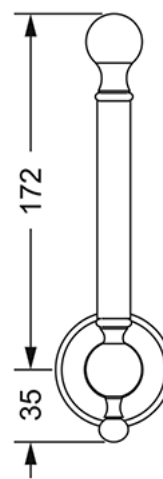
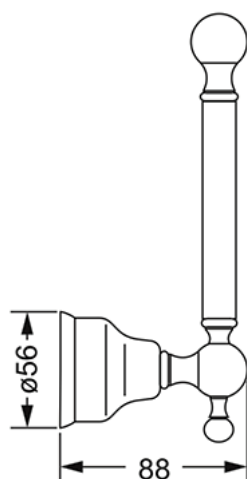


DELPHI

109.00.015.xxx

Spare toilet paper roll holder

- wall model
- for a spare roll of paper



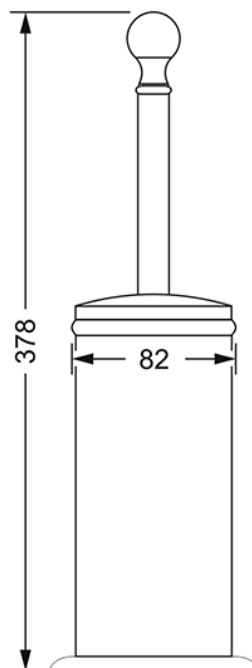
DELPHI

109.00.001.xxx

Toilet brush holder set, complete



- floor standing model
- constructed of solid brass



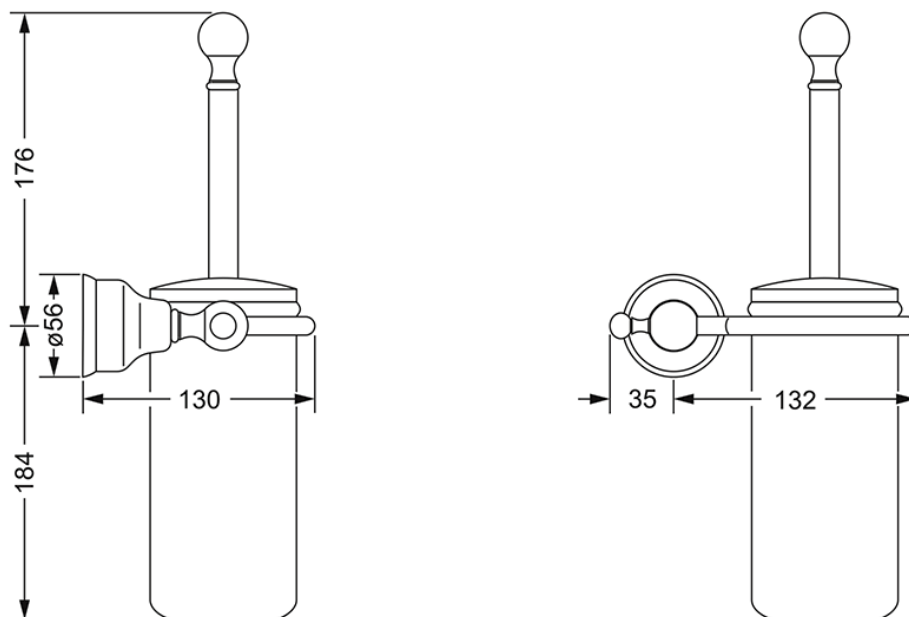
DELPHI

109.00.000.xxx

Toilet brush holder set, complete



- wall model
- brush holder out of brass

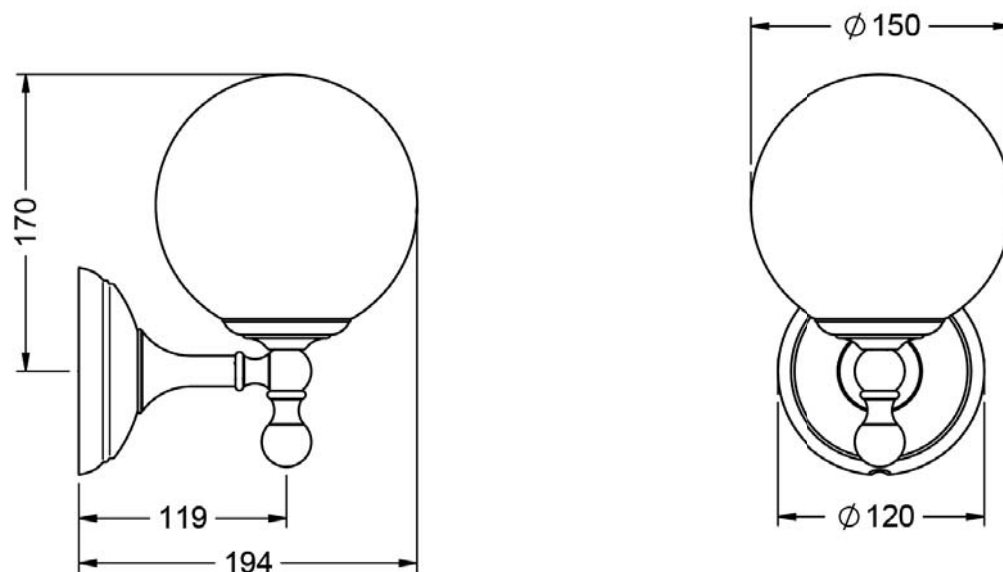


DELPHI

109.00.061.xxx

Wall lamp, complete

- wall model
- glass frosted
- light bulb included
- 40 W



DELPHI

649.00.414.xxx

Cosmetic mirror, inclusive lighting

- wall model
- swivelling and extendable
- magnification 3:1
- direct connection
- mirror \varnothing 185 mm
- frame \varnothing 250 mm
- touch control of the background light

